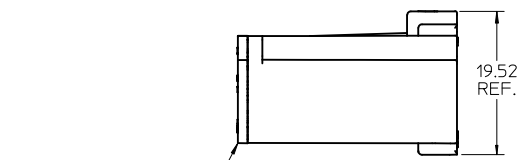
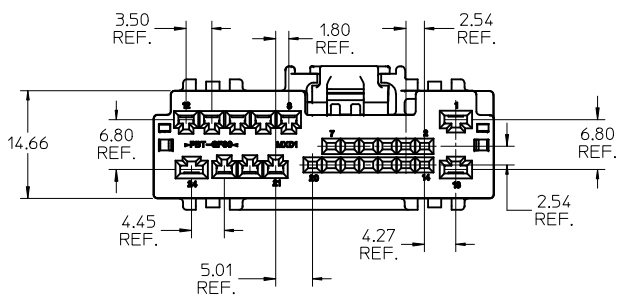
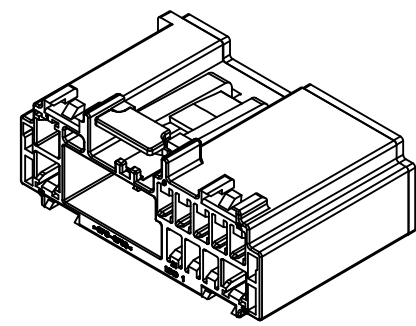
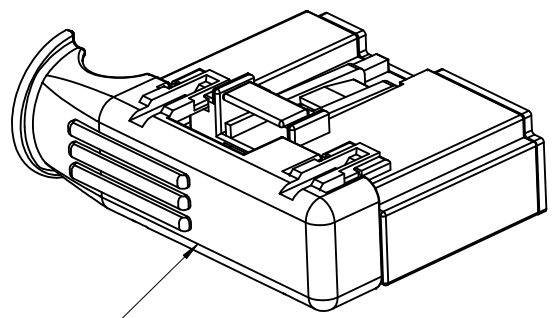
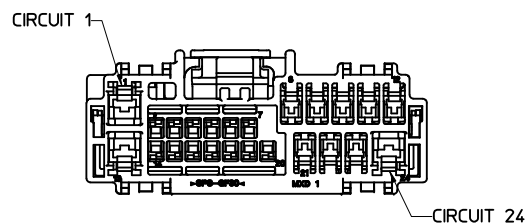


TPA SHOWN IN FULLY SEATED POSITION



TPA SHOWN IN AS-SHIPPED POSITION



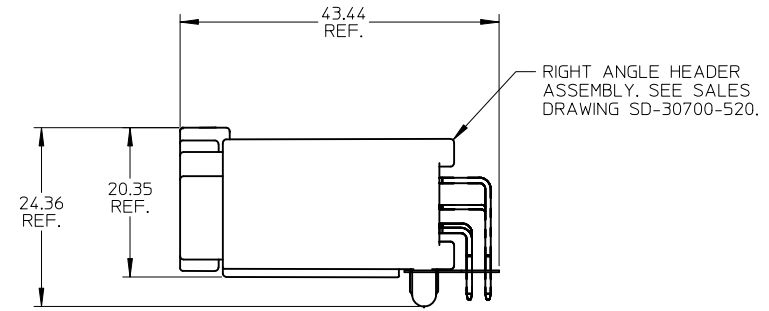
OPTIONAL WIRE DRESS COVER MOLEX P/N 30700-9010.

NOTES:

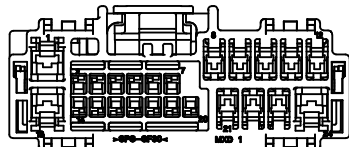
1. MATERIAL: HOUSING: SPS-PA66, GLASS FILLED, COLOR: SEE CHART. TPA: PBT, GLASS FILLED, COLOR: RED.
2. PACKAGING SPECIFICATION : PK-30907-417 AND PK-31301-429.
3. MATES WITH: SERIES 30700 & 30968, SEE SALES DRAWINGS SD-30700-524, SD-30700-424 & SD-30968-124.

SEE ECN# UAU2001-0258 EC NO: UAU2010-0331 DRWN:PPHELPS 2009/11/16 CHKD: 2009/11/24 APPR: JNORTHRO 2009/11/24	QUALITY SYMBOLS	GENERAL TOLERANCES (UNLESS SPECIFIED)		SCALE 2:1	DESIGN UNITS METRIC	THIRD ANGLE PROJECTION	REVISE ON CAD ONLY	
	▽ 0 ∇ 0	mm	INCH	DIMENSION STYLE MM ONLY		TITLE		
		4 PLACES ±---	±---	DRAWN BY RCARLSON		DATE 01/04/04	24 CIRCUIT FEMALE HARNESS ASSEMBLY	
	E1	2 PLACES ±0.13	±---	CHECKED BY CKRISHNA		DATE 01/04/24	MOLEX INCORPORATED	
1 PLACE ±0.25		±---	APPROVED BY LGEIB		DATE 01/04/24	MATERIAL NO. SEE CHART	DOCUMENT NO. SD-30700-124	
ANGULAR ± 1°		DRAFT WHERE APPLICABLE		SHEET NO. 1 OF 2				
MUST REMAIN WITHIN DIMENSIONS		THIS DRAWING CONTAINS INFORMATION THAT IS PROPRIETARY TO MOLEX INCORPORATED AND SHOULD NOT BE USED WITHOUT WRITTEN PERMISSION						

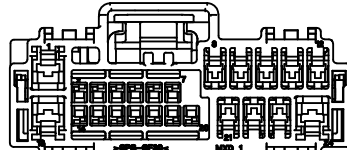
PACKAGING	POLARIZATION OPTIONS & COLOR	
ASSEMBLY P/N BULK PACKED	HARNESS ASSEMBLY (POLARIZATION OPTIONS)	HOUSING COLOR
30700-1244	WITHOUT BRIDGE - 'A'	GRAY
30700-1245	WITHOUT BRIDGE - 'B'	BLACK
30700-1246	WITHOUT BRIDGE - 'C'	NATURAL
31389-1244	WITH BRIDGE - 'A'	GRAY
31389-1245	WITH BRIDGE - 'B'	BLACK
31389-1246	WITH BRIDGE - 'C'	NATURAL



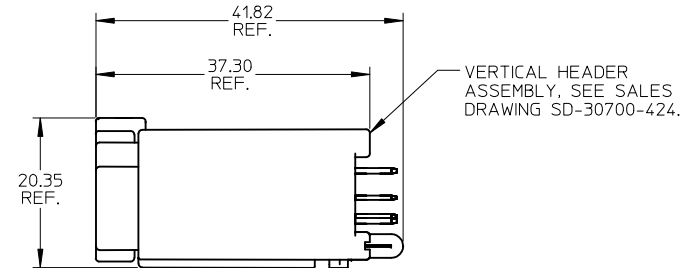
MATED VIEW



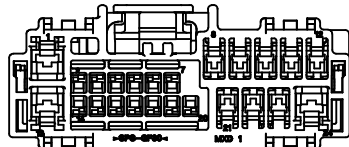
30700-1244 WITHOUT BRIDGE



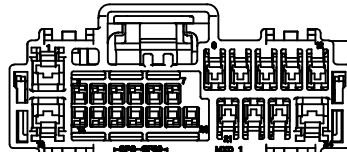
31389-1244 WITH BRIDGE



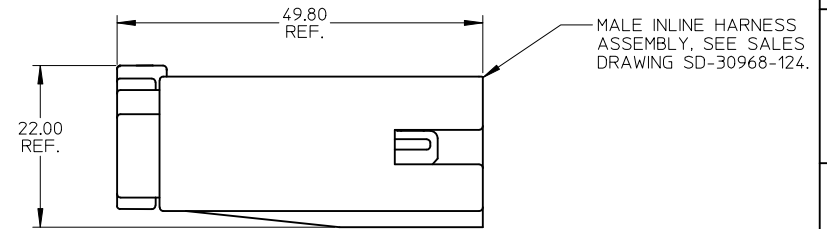
MATED VIEW



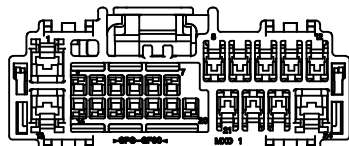
30700-1245 WITHOUT BRIDGE



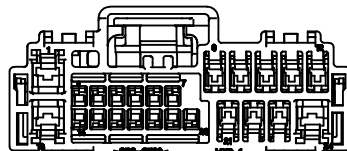
31389-1245 WITH BRIDGE



MATED VIEW



30700-1246 WITHOUT BRIDGE



31389-1246 WITH BRIDGE

SEE ECN# UAU2001-0258 EC NO: UAU2010-0331 DRWN: PPH/ELPS 2009/11/16 CHKD: 2009/11/24 APPR: JNORTHRO 2009/11/24	QUALITY SYMBOLS	GENERAL TOLERANCES (UNLESS SPECIFIED)		SCALE 2:1	DESIGN UNITS METRIC	THIRD ANGLE PROJECTION	REVISE ON CAD ONLY
	-0 -0		mm	INCH	DIMENSION STYLE MM ONLY		TITLE
		4 PLACES	±---	±---	DRAWN BY	DATE	24 CIRCUIT FEMALE HARNESS ASSEMBLY
		3 PLACES	±---	±---	RCARLSON	01/04/04	
2 PLACES	±0.13	±---	CHECKED BY	DATE	MOLEX INCORPORATED		
1 PLACE	±0.25	±---	CKRISHNA	01/04/24			
		ANGULAR ± 1°		APPROVED BY	DATE	MATERIAL NO.	DOCUMENT NO.
		DRAFT WHERE APPLICABLE		LGEIB	01/04/24	ENTER-PART	SD-30700-124
		MUST REMAIN WITHIN DIMENSIONS		THIS DRAWING CONTAINS INFORMATION THAT IS PROPRIETARY TO MOLEX INCORPORATED AND SHOULD NOT BE USED WITHOUT WRITTEN PERMISSION		SHEET NO.	2 OF 2