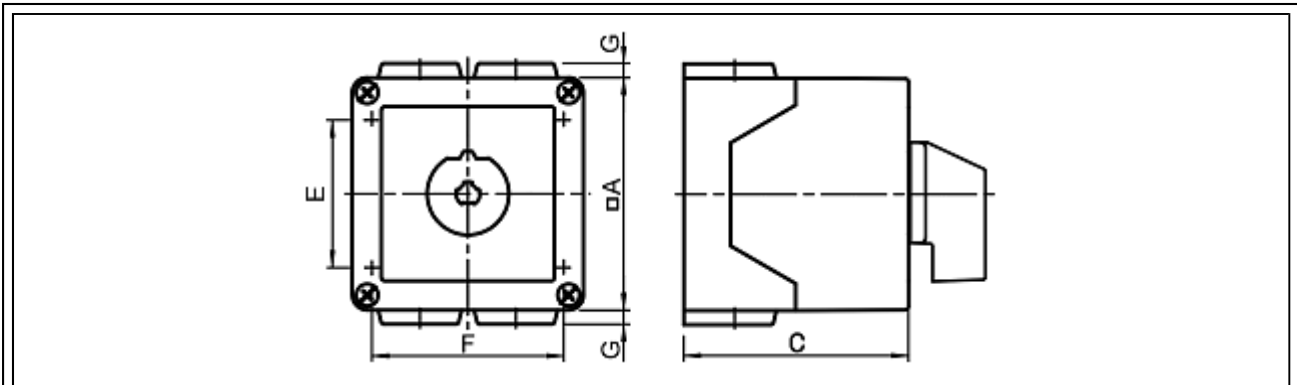


A-, C,- CA-, CH-switches
Dimensions: PF



Dimensions:

Switch type	Stages	A [mm]	C [mm]	E [mm]	F [mm]	G [mm]
A11, A14	1	106	73	75	92	5.5
	2-3	106	94.5	75	92	5.5
	4-6	106	137.5	75	92	5.5
CA10, CA10R	1	64	41.3	36	50	4
	2	64	50.8	36	50	4
	3	64	60.3	36	50	4
	4	64	69.8	36	50	4