

Product Information



8470BOG080P62

EAN 4031582347241

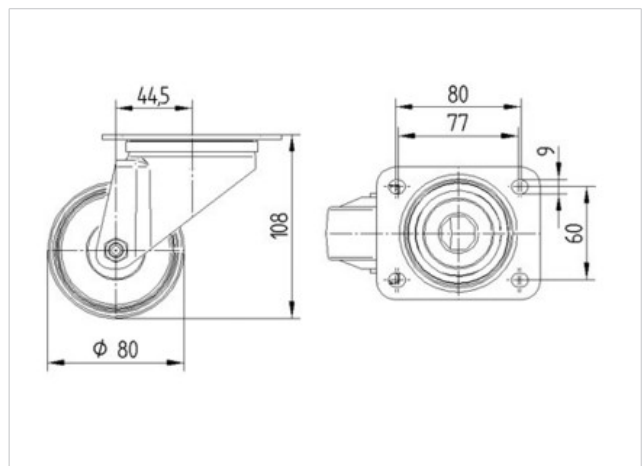
Swivel castor, housing made of Stainless Steel, double ball bearing swivel head, wheel axle with nut, plate fitting.

Wheel made of heat resisting synthetic material, self-lubricating bushing

Technical Data

Wheel diameter	80 mm
Width of Tread	35 mm
Size of Plate	105 x 85 mm
Plate hole centres	80/77 x 60 mm
Plate hole	9 mm
Offset	44.5 mm
Swivel Interference	169 mm
Overall height	108 mm
Temperature	- 40 / + 280 °C
Standard	EN 12532
Weight	0.737 kg
Swivel Radius	84.5 mm
Hardness of tread	D 85 Shore
Load capacity	100 kg
Load capacity (static)	200 kg

Roll performance	+	+	+	+	+
Movement noise	+	+	+	+	+
Attrition	+	+	+	+	+
Corrosion resistance	+	+	+	+	+





8470BOG080P62

EAN 4031582347241

