

## Datasheet

Art.No. 92.050.1453.0

Distributor GST18i5V 2P1T V PB

T-connector GST18i5, 5 pole, 1 input, 2 outputs, 250/400 V, 20 A, colour of coding: pastel blue



Art.No.	92.050.1453.0
EAN	4015573655065
Order unit	100 pieces

## Approvals



## Technical data

### General

Rated current	20 A
Rated voltage	250 V
Rated impulse voltage	4 kV
Pollution degree	2
Mechanical coding	Yes
Interlockable	Yes
Color of coding/ contact carrier	Pastel blue
Marking of poles	

### Model

Number of poles	5
Number of inputs	1
Number of outputs	2
Type of fastening	No
Degree of protection (IP)	IP40
Type of distributor	T-distributor

### Material

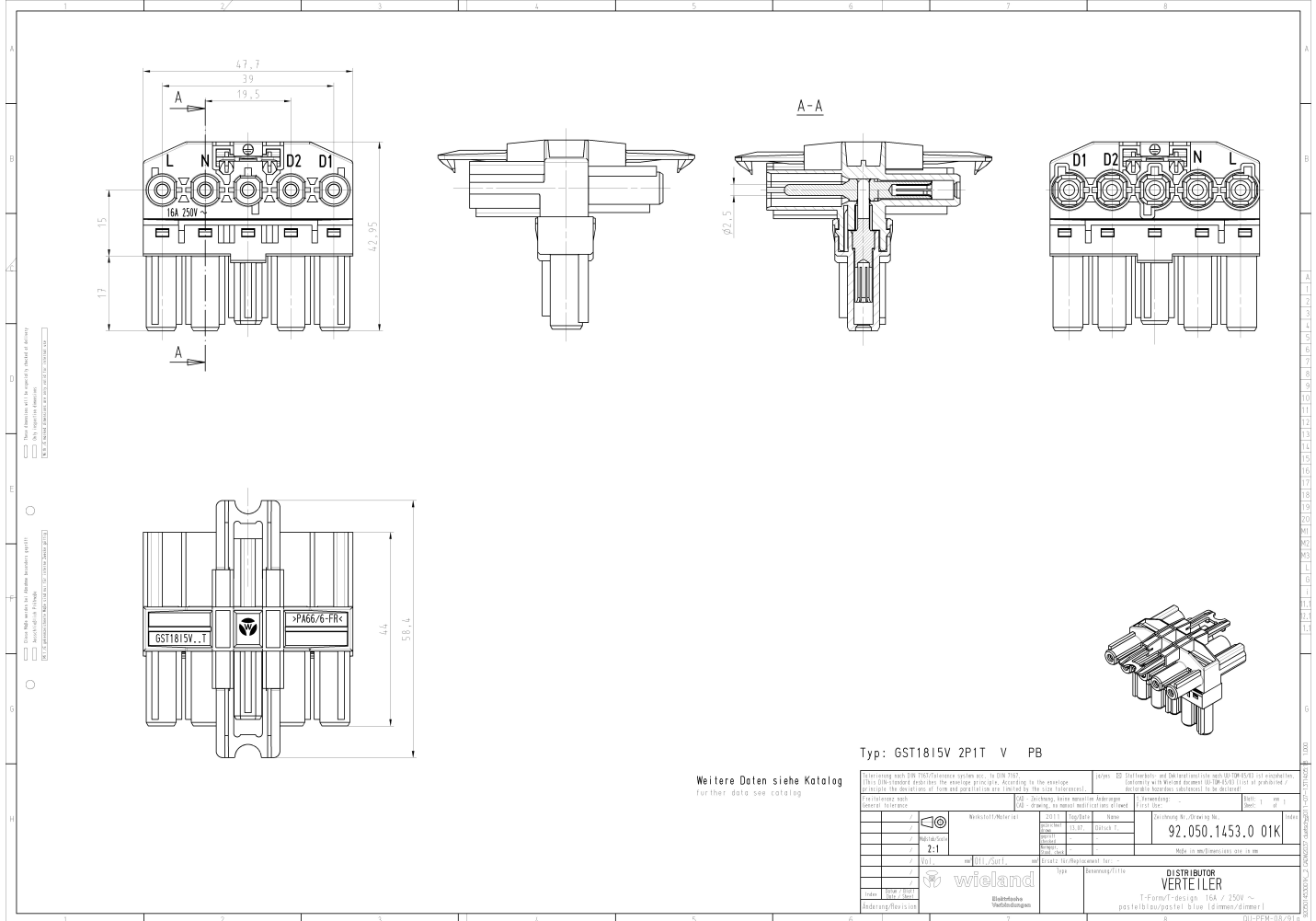
Housing material	Polyamide
Halogen free	Yes
Contact material	CuZn
Insulation components continuous temperature	100 °C

Surface finish	Silver-plated
----------------	---------------

**Dimensions**

Length	44 mm
Width	47.7 mm
Height	43 mm

Drawings



Typ: GST1815V 2P1T V PB

Weitere Daten siehe Katalog  
further data see catalog

<p>Information: each 300 (900) Performance cycles max. in DIN 72471                  This cable terminal operates the switching principle. According to the switching cycle, the dimensions of form and position are limited by the size tolerances.                  Performance map: See drawings, form and position tolerances. See drawings, see metal contact closed. See drawings. For details, refer to the relevant standards.</p>		<p>Notes: D1 (Distribution) and D2 (Distribution) are 0.5 (0.5) of a conductor. Distances with 0.5 (0.5) are 0.5 (0.5) of a conductor. Distances with 0.5 (0.5) are 0.5 (0.5) of a conductor. Distances with 0.5 (0.5) are 0.5 (0.5) of a conductor. Distances with 0.5 (0.5) are 0.5 (0.5) of a conductor.</p>	
<p>Scale: 2:1</p>	<p>Werkstoff/Material: 2011</p>	<p>Typ: 2P1T</p>	<p>Bestell-Nr. / Order No.: 92.050.1453.0 01K</p>
<p>Hersteller / Manufacturer: Wieland</p>	<p>Produktions-Nr. / Production No.: 01</p>	<p>Werkstoff / Material: 2011</p>	<p>Werkstoff / Material: 2011</p>
<p>Änderung / Revision: 01</p>	<p>Wieland</p>	<p>Wieland</p>	<p>DISTRIBUTOR                  VERTEILER                  T-Form / T-design 16A / 250V ~                  postleible/pastel 0 line (dimmer/dimmer)</p>