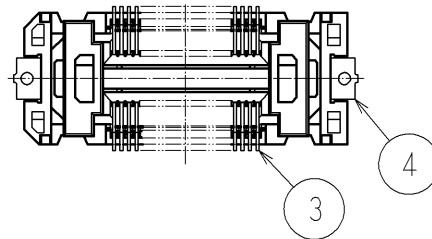
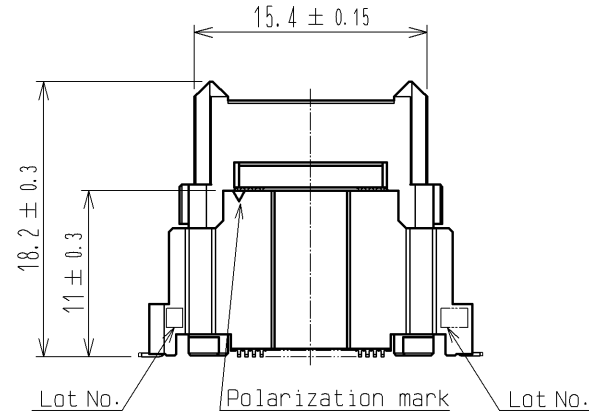
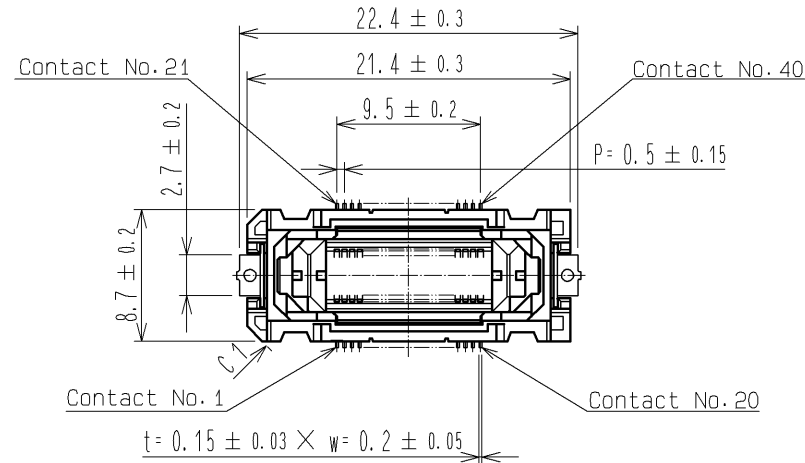
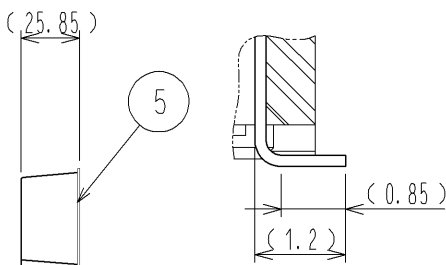
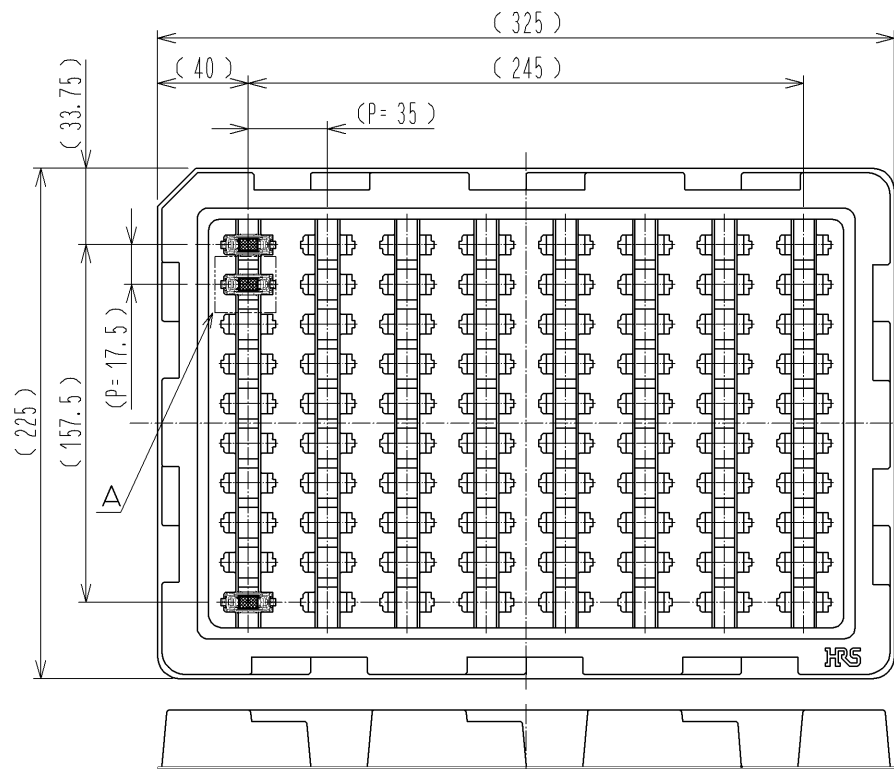


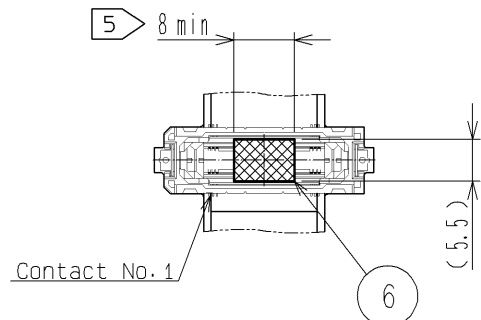
1 2 3 4 5 6 7 8



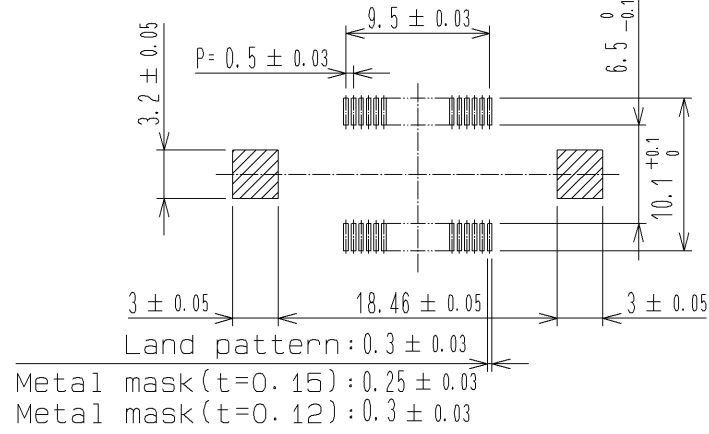
2 DRAWING FOR PACKING (No scale)



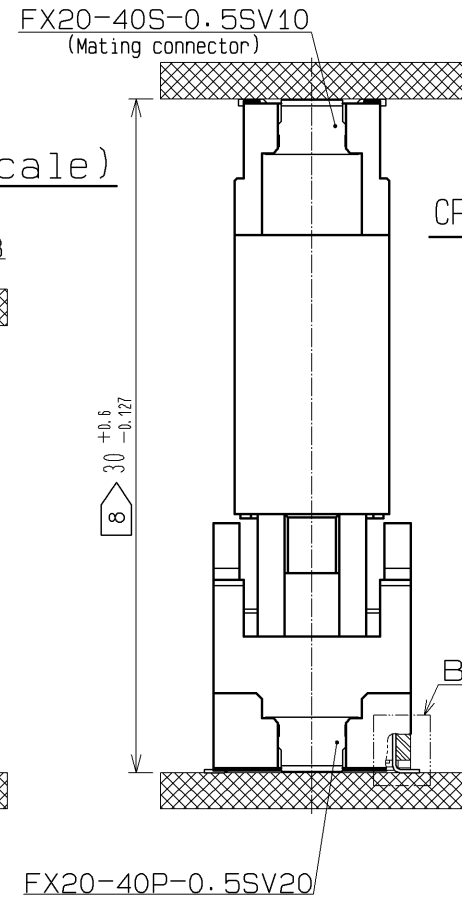
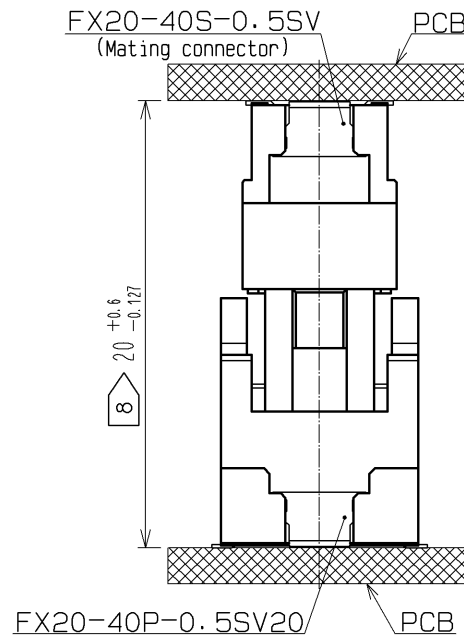
A (1:1)



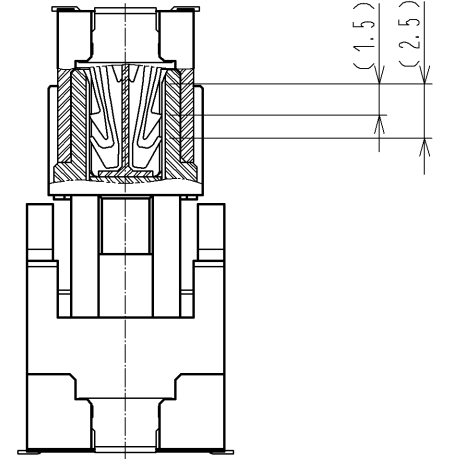
RECOMMENDED LAND PATTERN DIMENSION OF PCB



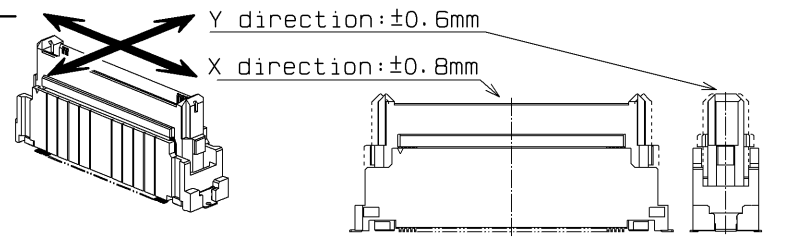
PCB DISTANCE (No scale)



CROSS SECTION OF MATING (No scale)



3 FLOATING RANGE



- 1 Lead CO-Planarity is 0.1mm MAX.
- 2 This is packaged in tray. (80pcs/tray)
- 3 Floating range of this connector is ±0.8mm MAX in the X direction and ±0.6mm MAX in the Y direction.
- 4 Blemish and hit mark can be occurred through out the manufacturing process which doesn't affect quality level.
- 5 It shows the vacuum pickup area. Remove the mylar tape before mating connectors.
- 6 Please note that excessive wrenching force could damage this connector. Please refer to the guideline for detailed regulations of the mating method.
- 7 The dimensions in parentheses are for references.
- 8 Please use the connectors within the specified PCB distance.

2	POLYAMIDE	BLACK	UL94V-0	6	POLYIMIDE	(TAPE FOR VACUUM PICKUP)
1	POLYAMIDE	BLACK	UL94V-0	5	POLYSTYRENE	(TRAY)
				4	BRASS	TIN-PLATING 1 μm
				3	COPPER ALLOY	CONTACT AREA: GOLD 0.1 μm LEAD AREA: GOLD 0.03 μm UNDER PLATING: NICKEL 1 μm
NO.	MATERIAL	FINISH	REMARKS	NO.	MATERIAL	FINISH . REMARKS
UNITS mm		SCALE 2 : 1	COUNT	DESIGNED		CHECKED
HRS HIROSE ELECTRIC CO., LTD.		APPROVED : HS. OKAWA	14.06.09	DRAWING NO.		EDC3-336325-01
		CHECKED : KN. SHIBUYA	14.06.09	PART NO.		FX20-40P-0.5SV20(10)
		DESIGNED : TS. OONO	14.06.09	CODE NO.		CL570-1007-7-10
		DRAWN : TS. OONO	14.06.09			1/1