

Interface module - DFLK-D25 SUB/S - 2280310

Please be informed that the data shown in this PDF Document is generated from our Online Catalog. Please find the complete data in the user's documentation. Our General Terms of Use for Downloads are valid (<http://download.phoenixcontact.com>)




The VARIOFACE feed-through module implements a 1:1 connection between screw connection terminal blocks and a D-SUB miniature pin strip (number of positions: 25). A separate ground tap is available.

Why buy this product

- 9 to 50-pos.
- 9 to 37-pos.: separate ground tap
- 50-pos.: no ground tap
- According to IEC 60807-2
- 1:1 connection
- D-SUB 4-40 UNC thread
- Screw connection



Key commercial data

Packing unit	5 pc
GTIN	 4 017918 054427
Weight per Piece (excluding packing)	0.91 g
Custom tariff number	85369010
Country of origin	Germany

Technical data

Dimensions

Width	39 mm
Height	83.4 mm
Depth	33 mm

Ambient conditions

Ambient temperature (operation)	-20 °C ... 50 °C
Ambient temperature (storage/transport)	-20 °C ... 70 °C

General

Nominal voltage U _N	125 V AC/DC
--------------------------------	-------------

Interface module - DFLK-D25 SUB/S - 2280310

Technical data

General

Max. current carrying capacity per branch	2.5 A
Max. total current of all branches	62.5 A
Number of positions	25
Status display	No
Mounting position	any
Assembly instructions	In rows with zero spacing
Standards/specifications	Air and creepage distances DIN EN 50178
Pollution degree	2
Surge voltage category	II
Rated surge voltage	1.2 kV
Rated insulation voltage	125 V

Connection data for connection 1

Connection name	Field level
Connection in acc. with standard	IEC / EN
Connection method	Screw connection
Conductor cross section solid min.	0.2 mm ²
Conductor cross section solid max.	4 mm ²
Conductor cross section stranded min.	0.2 mm ²
Conductor cross section stranded max.	2.5 mm ²
Conductor cross section AWG/kcmil min.	24
Conductor cross section AWG/kcmil max	12
Stripping length	8 mm
Screw thread	M3

Connection data for connection 2

Connection name	Control system level
Connection method	D-SUB pin strip
Number of positions	25

Classifications

eCl@ss

eCl@ss 4.0	27250313
eCl@ss 4.1	27250313
eCl@ss 5.0	27250313
eCl@ss 5.1	27250313
eCl@ss 6.0	27242608
eCl@ss 7.0	27141152
eCl@ss 8.0	27141152

Interface module - DFLK-D25 SUB/S - 2280310

Classifications

ETIM

ETIM 2.0	EC001434
ETIM 3.0	EC001604
ETIM 4.0	EC001604
ETIM 5.0	EC002780

UNSPSC

UNSPSC 6.01	30211824
UNSPSC 7.0901	39121421
UNSPSC 11	39121421
UNSPSC 12.01	39121421
UNSPSC 13.2	39121421

Approvals

Approvals


Approvals


UL Recognized / cUL Recognized / GOST / cULus Recognized

Ex Approvals

Approvals submitted

Approval details

UL Recognized 	
mm ² /AWG/kcmil	30-12
Nominal current I _N	2.5 A
Nominal voltage U _N	125 V

cUL Recognized 	
mm ² /AWG/kcmil	30-12
Nominal current I _N	2.5 A

Interface module - DFLK-D25 SUB/S - 2280310

Approvals

Nominal voltage UN	125 V
--------------------	-------



Accessories

Accessories

System cable

Cable - CABLE-D25SUB/B/S/ 50/KONFEK/S - 2302120



Round shielded cable set, with 25-pos. D-SUB female and male connectors, cable length: 0.5 m

Cable - CABLE-D25SUB/B/S/100/KONFEK/S - 2302133



Round shielded cable set, with 25-pos. D-SUB female and male connectors, cable length: 1 m

Cable - CABLE-D25SUB/B/S/150/KONFEK/S - 2302146



Round shielded cable set, with 25-pos. D-SUB female and male connectors, cable length: 1.5 m

Cable - CABLE-D25SUB/B/S/200/KONFEK/S - 2302159



Round shielded cable set, with 25-pos. D-SUB female and male connectors, cable length: 2 m

Interface module - DFLK-D25 SUB/S - 2280310

Accessories

Cable - CABLE-D25SUB/B/S/300/KONFEK/S - 2302162



Round shielded cable set, with 25-pos. D-SUB female and male connectors, cable length: 3 m

Cable - CABLE-D25SUB/B/S/400/KONFEK/S - 2302175



Round shielded cable set, with 25-pos. D-SUB female and male connectors, cable length: 4 m

Cable - CABLE-D25SUB/B/S/600/KONFEK/S - 2302188



Round shielded cable set, with 25-pos. D-SUB female and male connectors, cable length: 6 m

Cable - CABLE D-SUB-S/.../.../... - 2302340



Shielded round cable, assembled with one D-SUB male and one female connector, variable cable length

Cable - CABLE D-SUB-B-B-S/.../.../... - 2302421



Shielded round cable, assembled with two D-SUB female connectors, variable cable length

Interface module - DFLK-D25 SUB/S - 2280310

Accessories

Cable - CABLE-D-25SUB/F/OE/0,25/S/0,5M - 2926153



Shielded cable with a 25-pos. D-SUB female connector and one open end. The individual wires are labeled 1 to 25 and fitted with ferrules. The braided shield is routed to a separate cable end. Cable length: 0.5 m.

Cable - CABLE-D-25SUB/F/OE/0,25/S/1,0M - 2926166



Shielded cable with a 25-pos. D-SUB female connector and one open end. The individual wires are labeled 1 to 25 and fitted with ferrules. The braided shield is routed to a separate cable end. Cable length: 1 m.

Cable - CABLE-D-25SUB/F/OE/0,25/S/1,5M - 2926179



Shielded cable with a 25-pos. D-SUB female connector and one open end. The individual wires are labeled 1 to 25 and fitted with ferrules. The braided shield is routed to a separate cable end. Cable length: 1.5 m.

Cable - CABLE-D-25SUB/F/OE/0,25/S/2,0M - 2926182



Shielded cable with a 25-pos. D-SUB female connector and one open end. The individual wires are labeled 1 to 25 and fitted with ferrules. The braided shield is routed to a separate cable end. Cable length: 2 m.

Cable - CABLE-D-25SUB/F/OE/0,25/S/3,0M - 2926195



Shielded cable with a 25-pos. D-SUB female connector and one open end. The individual wires are labeled 1 to 25 and fitted with ferrules. The braided shield is routed to a separate cable end. Cable length: 3 m.

Interface module - DFLK-D25 SUB/S - 2280310

Accessories

Cable - CABLE-D-25SUB/F/OE/0,25/S/4,0M - 2926205



Shielded cable with a 25-pos. D-SUB female connector and one open end. The individual wires are labeled 1 to 25 and fitted with ferrules. The braided shield is routed to a separate cable end. Cable length: 4 m.

Cable - CABLE-D-25SUB/F/OE/0,25/S/6,0M - 2926218



Shielded cable with a 25-pos. D-SUB female connector and one open end. The individual wires are labeled 1 to 25 and fitted with ferrules. The braided shield is routed to a separate cable end. Cable length: 6 m.

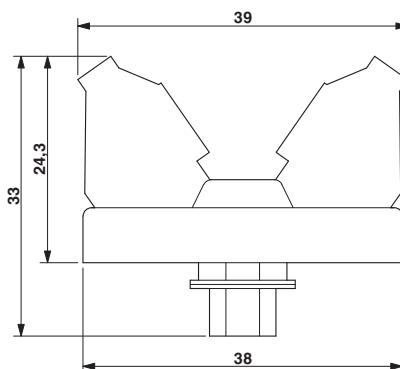
Cable - CABLE-D-25SUB-F-OE-0,25-S/... - 2900906



Shielded cable with a 25-pos. D-SUB female connector and one open end. The individual wires are labeled 1 to 25 and fitted with ferrules. The braided shield is routed to a separate cable end. Cable length: variable.

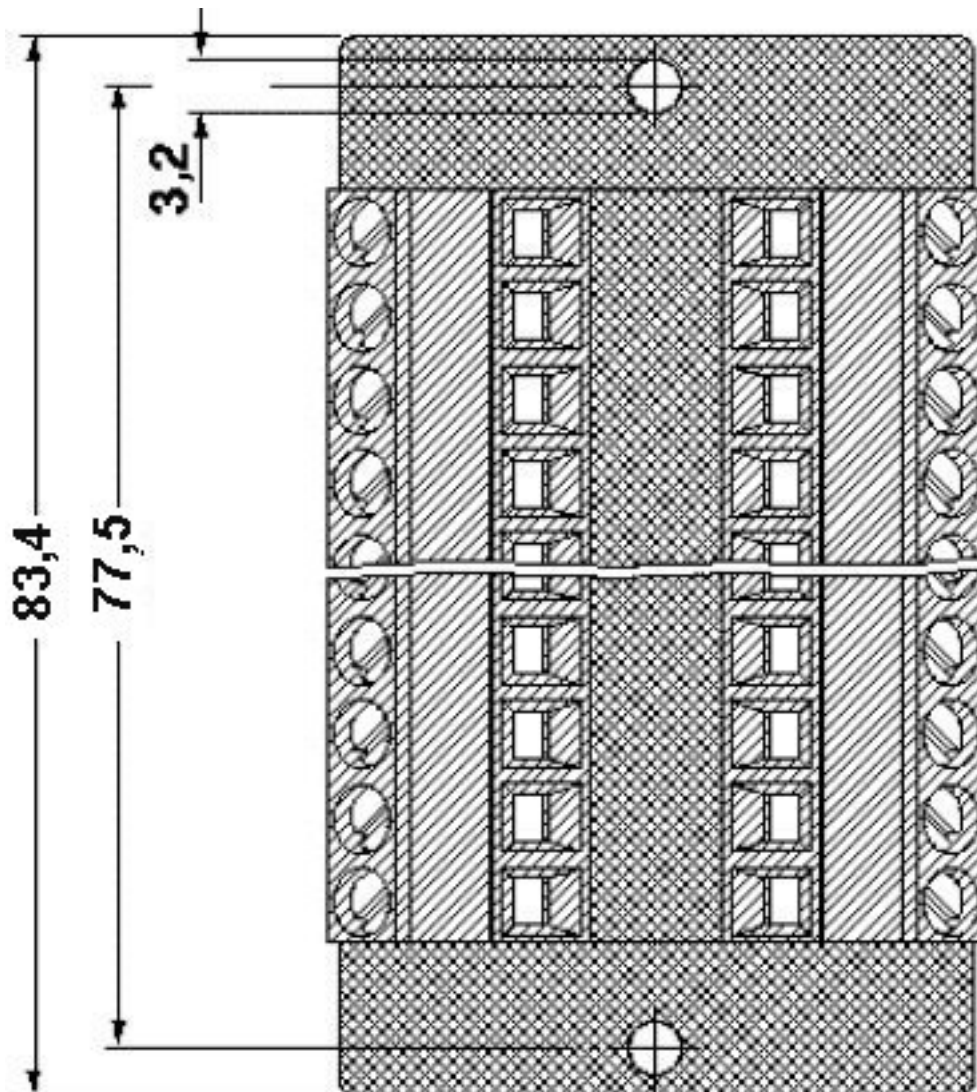
Drawings

Dimensioned drawing



Interface module - DFLK-D25 SUB/S - 2280310

Dimensioned drawing



Interface module - DFLK-D25 SUB/S - 2280310

