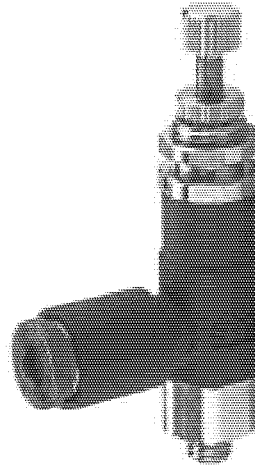


# MINIATURE REGULATOR SERIES ARJ

## MINIATURE REGULATOR ARJ1020F

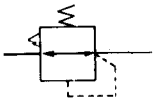
- ✓ Compact design
- ✓ Piston construction offers high frequency and long life
- ✓ One touch tube connection
- ✓ Panel mount



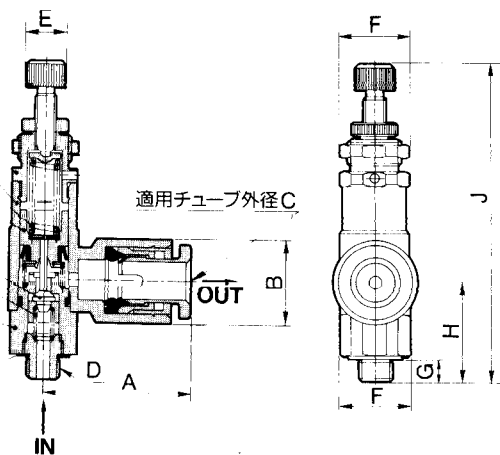
### TECHNICAL SPECIFICATIONS

Model	ARJ1020F
Media	Air
Operating pressure	1-7 Bar
Max. pressure	8 Bar
Temperature	5-60°C
Piping	IN M5X0.8 male
	OUT $\varnothing 4, \varnothing 6$

### SYMBOLS



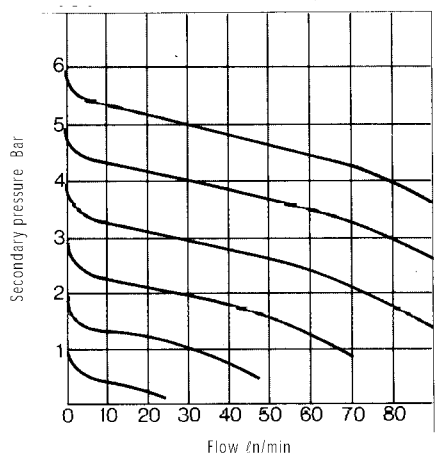
### DIMENSIONS SERIES ARJ



Panel mount dimension

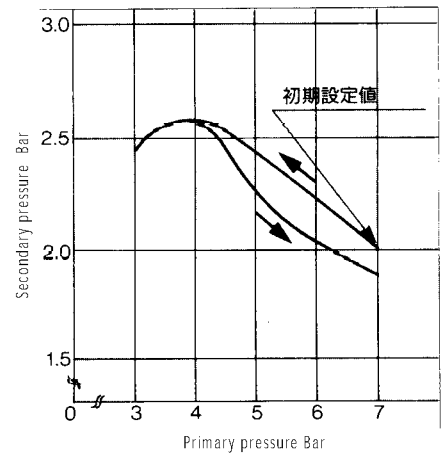


### FLOW SPECIFICATIONS



### PRESSURE SPECIFICATIONS

Test condition-(initial setting)  
 Primary pressure-7 Bar  
 Secondary pressure-2 Bar  
 Flow rate-10l/min



### HOW TO ORDER

MINIATURE REGULATOR ARJ1020F

ARJ1020F — M5 — 

- 04 ... 4mm
- 06 ... 6mm
- M5 ... M5X0.8

**STOCKED PRODUCTS**  
 FOR A LIST OF STOCKED PRODUCTS,  
 PLEASE SEE THE CURRENT SMC PRICE LIST

Model	A	B	C	D	E	F	G	H	J
ARJ1020F-M5-04	21	10.4	4	M5X0.8	6	10.6	3.5	15.5	50
ARJ1020F-M5-06	22	12.8	6						

SEE INSIDE FRONT COVER FOR  
 DETAILS OF YOUR LOCAL SALES OFFICE



FOR FURTHER TECHNICAL  
 DETAILS ON THIS  
 PRODUCT CONTACT  
 YOUR LOCAL REGIONAL  
 CENTRE