



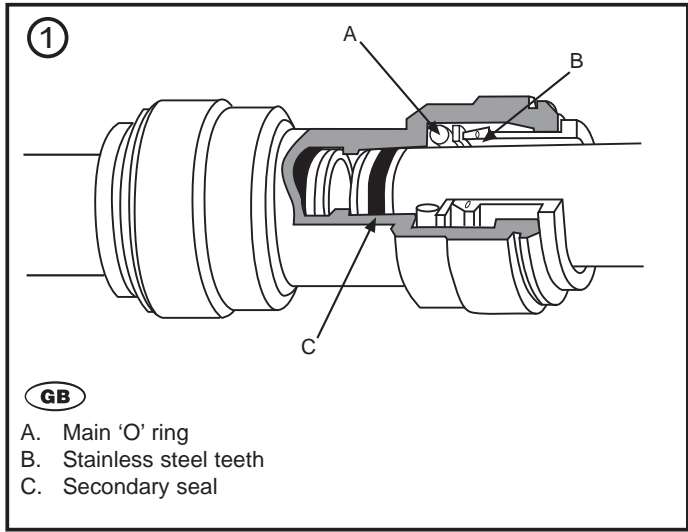
Instruction Leaflet

SPEEDFIT® superseal pipe insert **GB**

Figures

GB **RS Stock No.**

420-9419, 420-9425



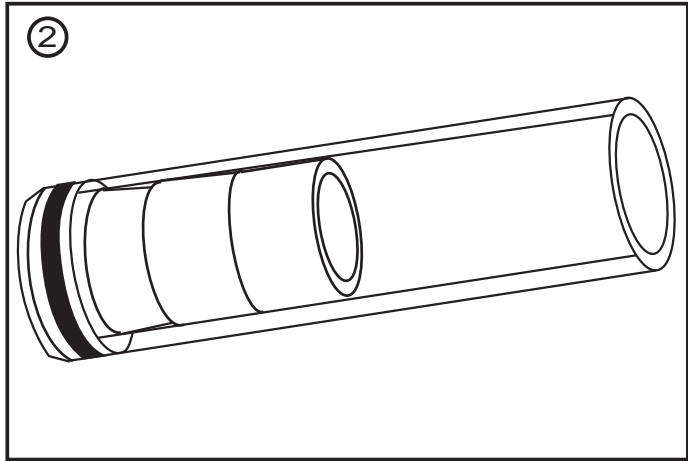
The 'Superseal' Pipe Insert has been designed to be used only with Speedfit Barrier Pipe and Speedfit Fittings.

An 'O' ring on the head of the insert and the shape of the stem, provide a secondary seal against the inside of the Speedfit Fitting. A combination of this and the main 'O' ring seal ensure a good connection. (Fig. 1)

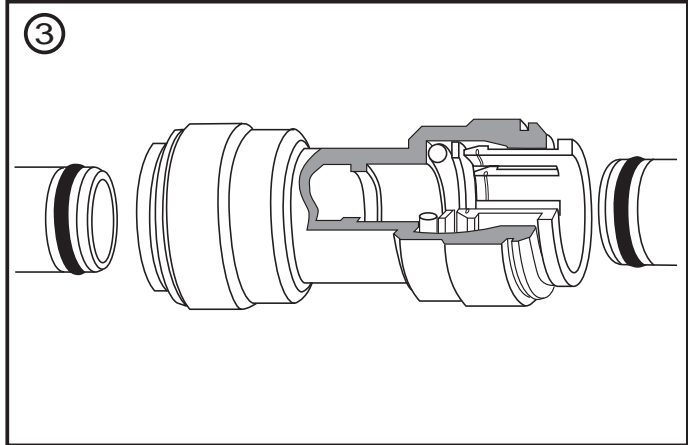
The stem of the insert gives greater rigidity of the length of pipe within the fitting, reducing the chance of leaks if a side load is applied.

The shape of the stem reduces the possibility of the pipe insert coming out of the pipe and staying within the fitting (when the fitting is disconnected). (Fig.2)

The head of the insert has been designed for ease of insertion. (Fig. 3)



RS Components shall not be liable for any liability or loss of any nature (howsoever caused and whether or not due to RS Components' negligence) which may result from the use of any information provided in RS technical literature.





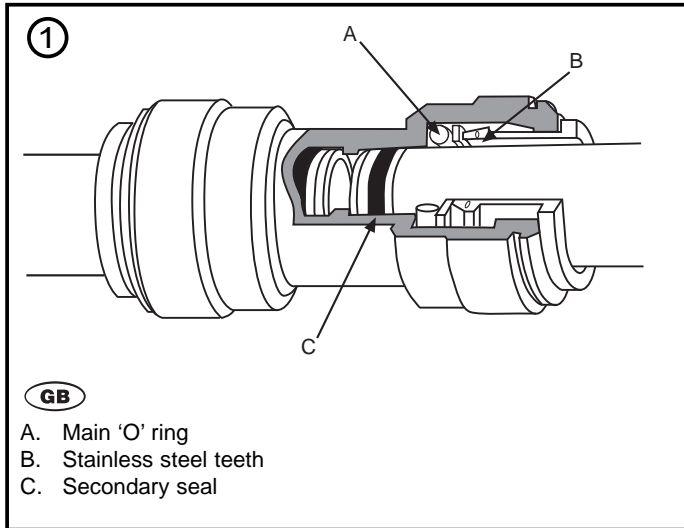
Instruction Leaflet

SPEEDFIT® superseal pipe insert **GB**

Figures

GB **RS Stock No.**

420-9419, 420-9425



The 'Superseal' Pipe Insert has been designed to be used only with Speedfit Barrier Pipe and Speedfit Fittings.

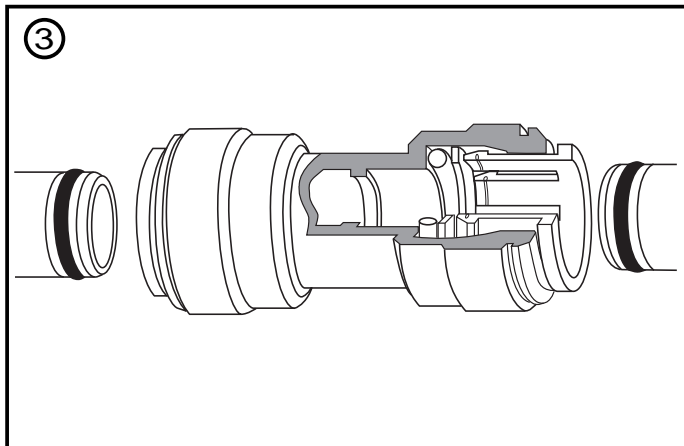
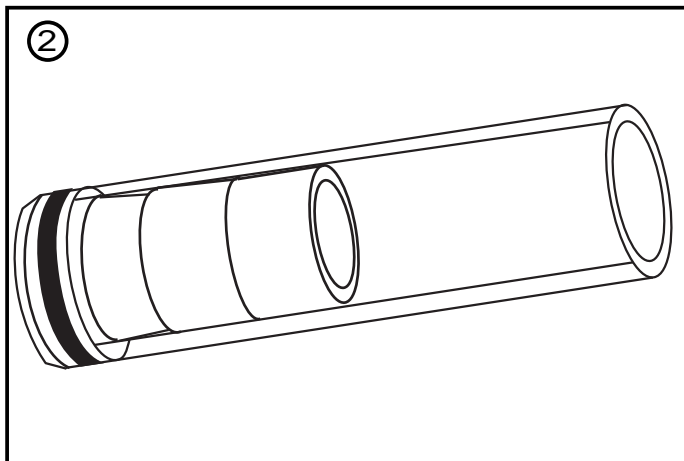
An 'O' ring on the head of the insert and the shape of the stem, provide a secondary seal against the inside of the Speedfit Fitting. A combination of this and the main 'O' ring seal ensure a good connection. (Fig. 1)

The stem of the insert gives greater rigidity of the length of pipe within the fitting, reducing the chance of leaks if a side load is applied.

The shape of the stem reduces the possibility of the pipe insert coming out of the pipe and staying within the fitting (when the fitting is disconnected). (Fig. 2)

The head of the insert has been designed for ease of insertion. (Fig. 3)

RS Components shall not be liable for any liability or loss of any nature (howsoever caused and whether or not due to RS Components' negligence) which may result from the use of any information provided in RS technical literature.



- GB**
- A. Main 'O' ring
 - B. Stainless steel teeth
 - C. Secondary seal