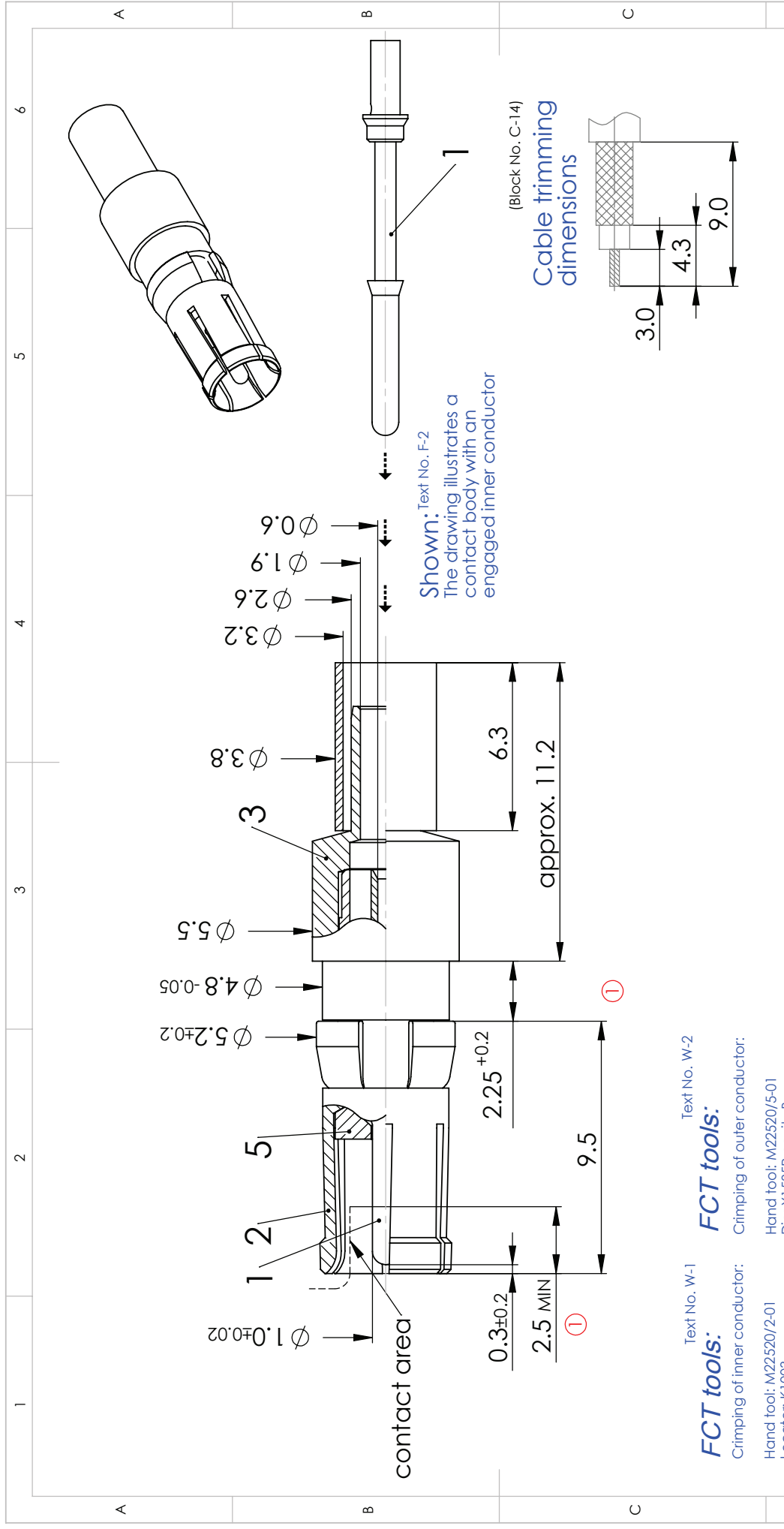


COMMENT:
 ALL RIGHTS ARE RESERVED BY US FOR THIS DRAWING. WITHOUT OUR PRIOR CONSENT,
 IT MAY NEITHER BE DUPLICATED NOR MADE AVAILABLE TO A THIRD PARTY.
 AND IT ALSO MAY NOT BE IMPROPERLY USED BY THE RECEIVER, OR A THIRD PARTY.



IMPEDANCE		75 Ohm		SCALE		5:1		CABLE		RG179BU, RG187AU, Belden 9221	
FOR		D-SUB		COAXIAL CONTACT		NAME / DATE		DATA SHEET		REV.	
DIMENSIONS IN MM		MATERIAL + FINISH SEE EXTRA SHEET		DRAWN		furnmann		PART NO.		FMS002S	
UNLESS OTHERWISE SPECIFIED DIMENSIONS FOR REFERENCE ONLY		23305		CHECKED		17-10-2012		REPLACEMENT FOR:		PAGE: 1/1	
REV.		DATE		INDEX		ORIGINAL: DIN A4-DRAWING AS A FILE					
2		16-10-2012		23305		INDEX					
1											

FCT tools: Text No. W-1
 Crimping of inner conductor:
 Hand tool: M22520/2-01
 Locator: K1003
 Pneumatic crimp tool: WA22
 Locator: K1003
 Cable:
 AWG 24 / SEL. 5
 AWG 26 / SEL. 5
 AWG 28 / SEL. 4
 AWG 30 / SEL. 3

FCT tools: Text No. W-2
 Crimping of outer conductor:
 Hand tool: M22520/5-01
 Die: Y1 535P cavity B
 Pneumatic crimp tool: HX23
 (replacement for PH4001)
 Extraction tool: DRK38