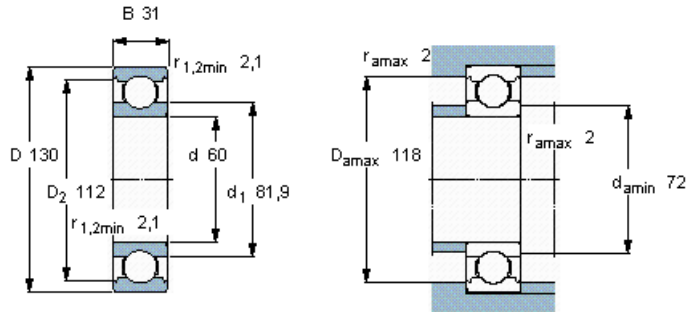


Deep groove ball bearings, single row

Principal dimensions			Basic load ratings		Fatigue load limit P_u	Speed ratings		Mass	Designation
d	D	B	dynamic	static		Reference speed	Limiting speed		
mm			kN		kN	r/min		kg	-
60	130	31	85,2	52	2,2	11000	7000	1,70	6312 *



Calculation factors

k_r 0,03
 f_0 13