

Datasheet

20 Litre Dehumidifier with Hygrostat

RS Stock No.: 839-5277



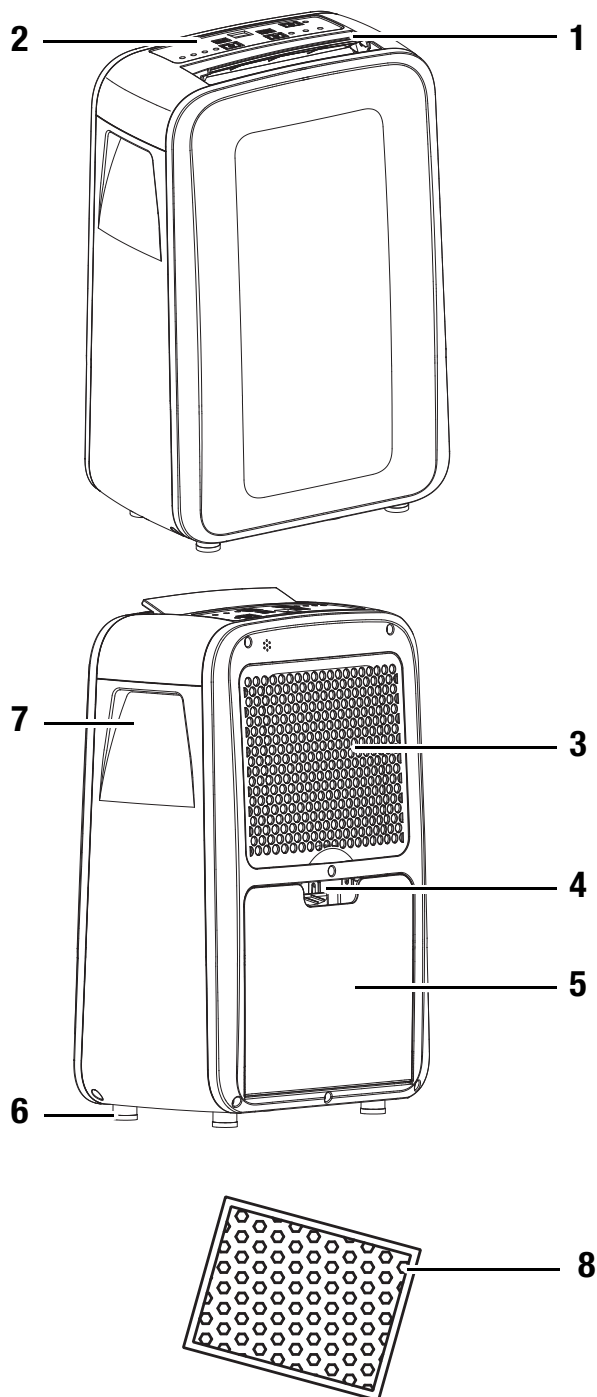
Information about the device

Description of the device

This device uses the principle of condensation to automatically dehumidify rooms.

The fan sucks damp room air through the air inlet (3), the air filter (8), the evaporator and to the condenser located behind it. The air is cooled at the cold evaporator until it is below the dew point. Water vapour contained in the room air precipitates on the evaporator fins as either condensation or frost. The dehumidified, cooled air is rewarmed at the condenser and blown out at a temperature of approx. 5 °C above room temperature. The drier air which is prepared in this way mixes with the air in the room. The humidity in the room where the device is positioned is reduced as air constantly circulates through the device. Depending on the air temperature and the relative humidity, the condensed water either drops continuously or only during the defrost phase into the condensation tray and through the integrated drain nozzle into the condensation tank (5) below. This is fitted with a float to measure the fill level. The device has a control panel (2) for operating and controlling the functions. Once the maximum fill level of the condensation tank (5) is reached, the condensation tank indicator light (see chapter "Operating elements") on the control panel (2) flashes. The device switches off. The condensation tank indicator light only goes out again once the emptied condensation tank (5) is reinserted. The condensed water can be diverted by attaching a hose at the condensation plug (4). The device can reduce the relative humidity of a room by up to approx. 49 %. It provides additional assistance for drying wet washing or clothing in living or working spaces. Because of the heat radiation which is tied up in operation, the room temperature can rise by approx. 1- 4 °C.

Device depiction



No.	Operating element
1	air outlet
2	control panel
3	air inlet incl. air filter
4	condensation plug
5	condensation tank
6	feet
7	carry handle
8	air filter

839-5277

Technical data

Parameters	Values
Model	
Dehumidifying capacity, max.	24 l / 24 h
Operating temperature	5-35 °C
Working range for relative humidity	49-100 %
Volume of airflow, max.	180 m ³ /h
Electric connection	230 V / 50 Hz
Power consumption, max.	440 W
Fuse (home)	10 A
Condensation tank	2 l
Refrigerant	R134a
Amount of refrigerant	180 g
Weight	11 kg
Dimensions (HxDxW)	350 x 220 x 550 mm
Minimum distance from walls of other objects	A: Above: 45 cm B: Behind: 45 cm C: Side: 45 cm D: Front: 45 cm
Sound pressure level LpA (1 m; complies with DIN 45635-01-KL3)	50 dB(A)

Circuit diagram

