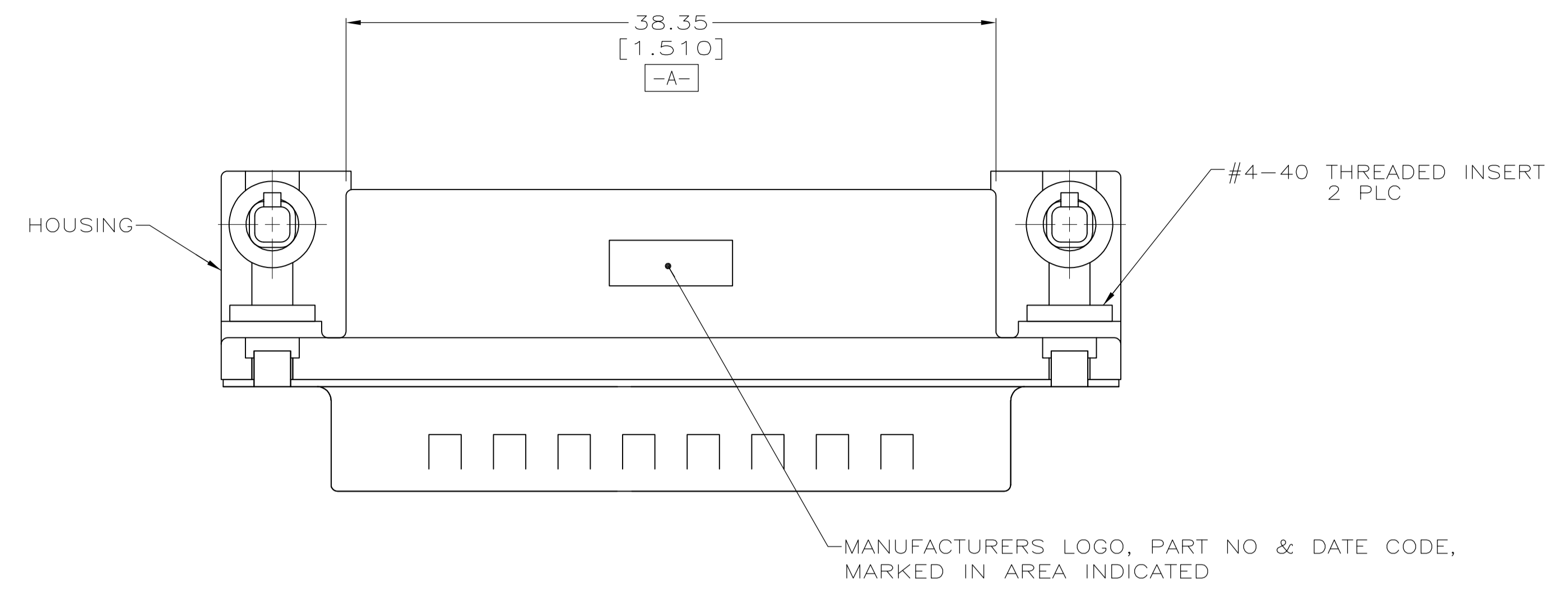
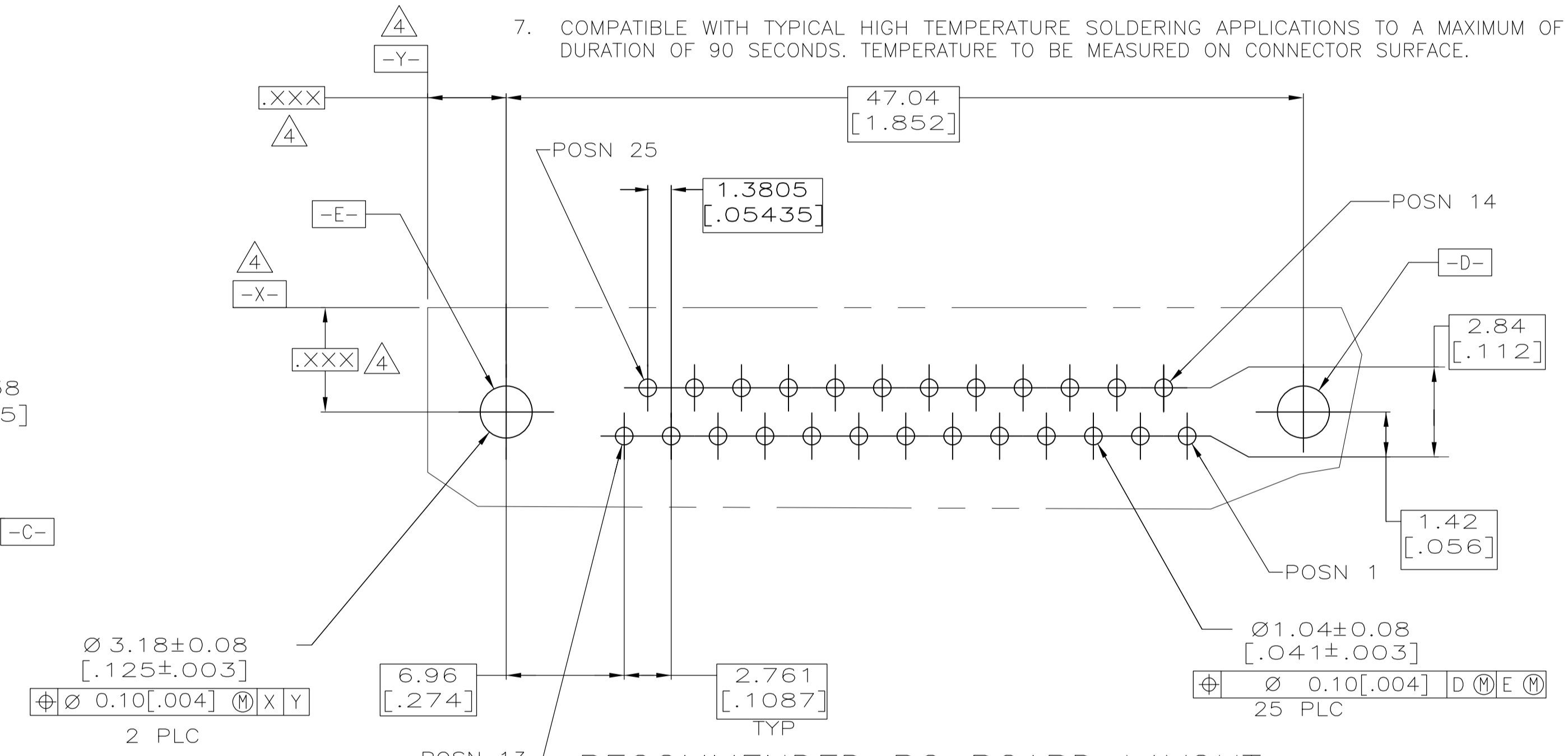
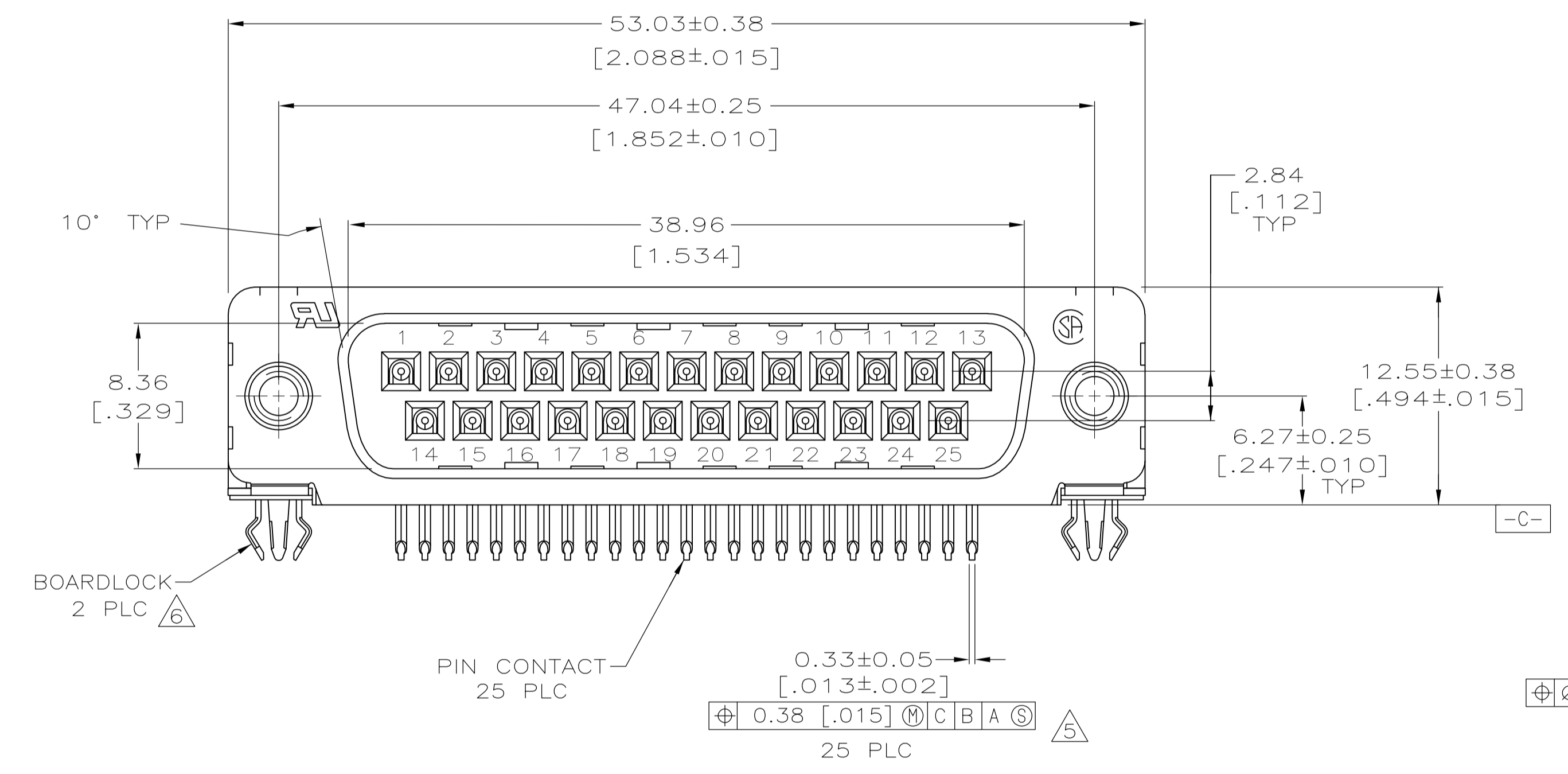


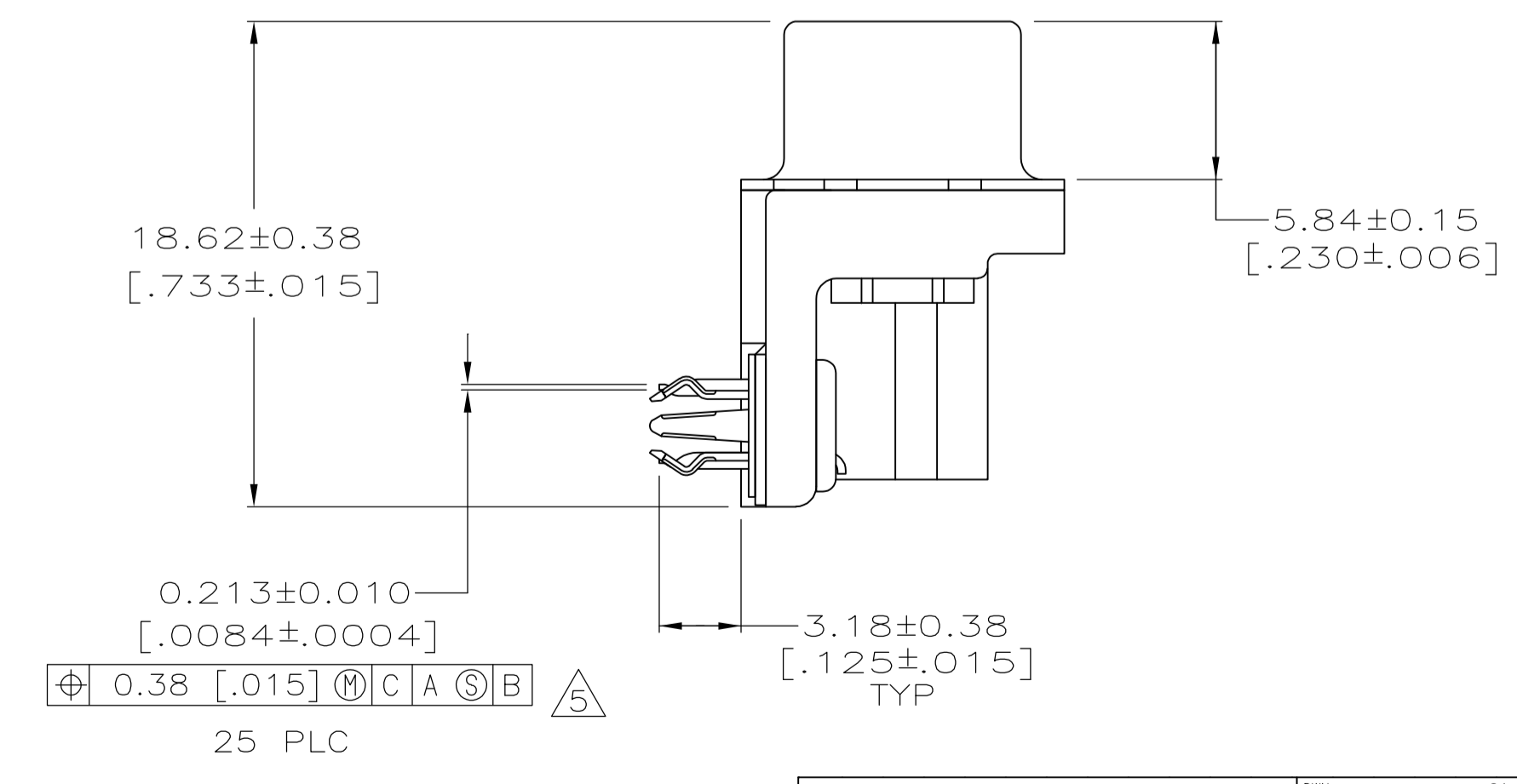
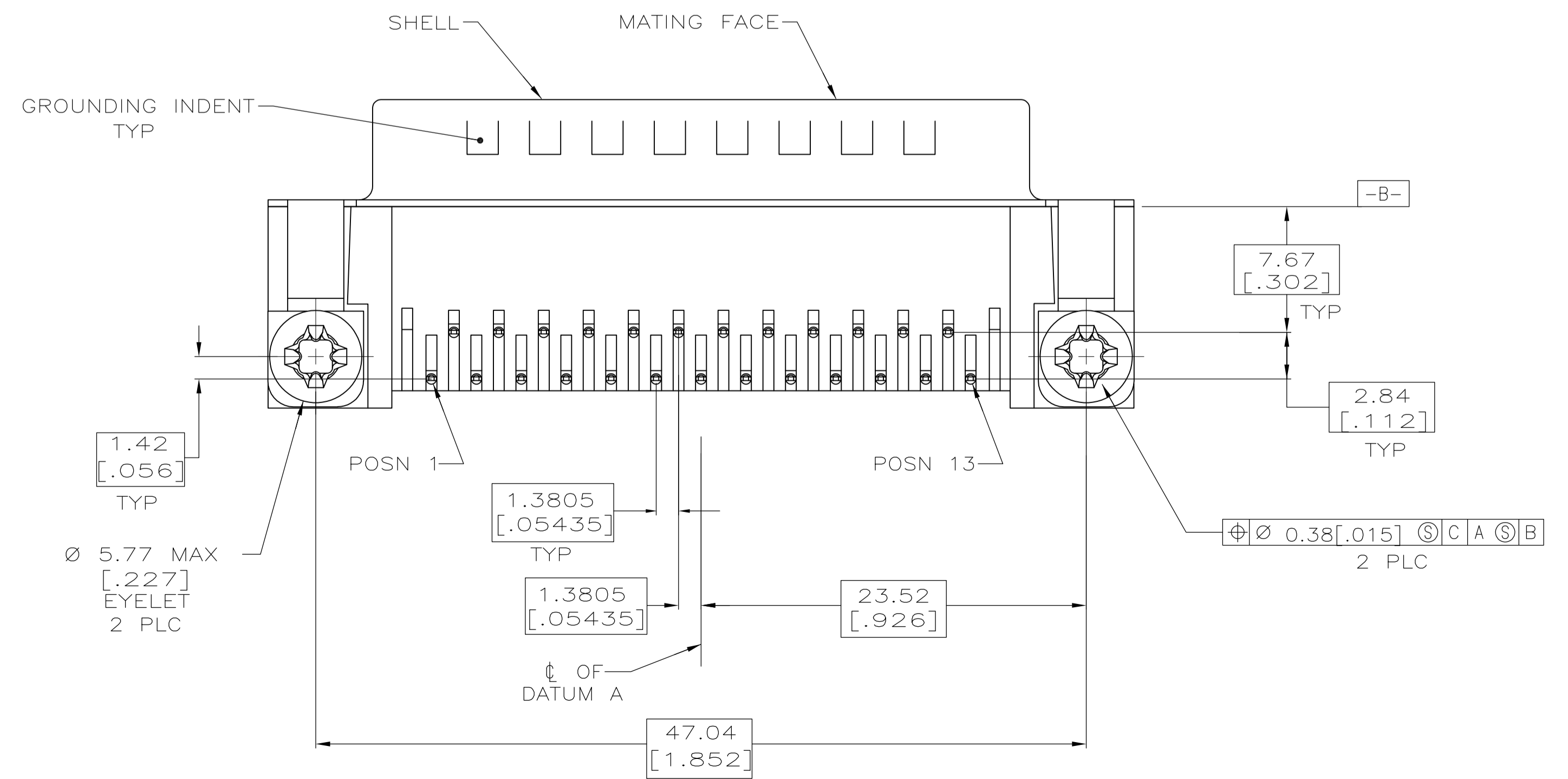
LOC		DIST		REVISIONS			
GP	00	F	LTR	DESCRIPTION	DATE	DMN	APVD
B				REVISED PER ECO-11-009374	24MAY2011	CJV	SLB



- 1 HOUSING: NYLON, THERMOPLASTIC, UL 94VO RATED, BLACK.
SHELL: CARBON STEEL,
PIN CONTACTS: BRASS.
EYELETS: BRASS.
THREADED INSERTS: ZINC.
BOARDLOCKS: COPPER ALLOY.
- 2 PIN CONTACTS: 0.76µm[.00030] MIN GOLD PLATE ON THE MATING SURFACES, 2.54µm[.000100] MIN TIN PLATE ON THE SOLDER END, 1.27µm[.000050] MIN NICKEL UNDERPLATE ON THE ENTIRE CONTACT
-OR-
GOLD FLASH OVER PALLADIUM-NICKEL PLATE, 0.76µm[.00030] MIN TOTAL ON THE MATING SURFACES, 2.54µm[.000100] MIN TIN PLATE ON THE SOLDER END, 1.27µm[.000050] MIN NICKEL UNDERPLATE ON THE ENTIRE CONTACT.
EYELETS: 2.54µm[.000100] MIN TIN OVER COPPER FLASH.
SHELL: 2.54µm[.000100] MIN TIN OVER 1.27µm[.000050] MIN COPPER.
THREADED INSERTS: CLEAR CHROMATE.
BOARDLOCKS: 3.81µm[.000150] MIN TIN OVER 1.27µm[.000050] MIN NICKEL.
- 3 PIN CONTACTS: GOLD FLASH ON THE MATING SURFACES, 2.54µm[.000100] MIN TIN PLATE ON THE SOLDER END, 1.27µm[.000050] MIN NICKEL UNDERPLATE ON THE ENTIRE CONTACT.
EYELETS: 2.54µm[.000100] MIN TIN OVER COPPER FLASH.
SHELL: 2.54µm[.000100] MIN TIN OVER 1.27µm[.000050] MIN COPPER.
THREADED INSERTS: CLEAR CHROMATE.
BOARDLOCKS: 3.81µm[.000150] MIN TIN OVER 1.27µm[.000050] MIN NICKEL.
- 4 DATUMS AND BASIC DIMENSIONS ESTABLISHED BY CUSTOMER.
- 5 POSITION TOLERANCE APPLIES AT CONTACT TIP.
- 6 BOARDLOCKS WILL ACCEPT .062 MAX PRINTED CIRCUIT BOARD THICKNESS.
7. COMPATIBLE WITH TYPICAL HIGH TEMPERATURE SOLDERING APPLICATIONS TO A MAXIMUM OF 225°C FOR A MAXIMUM DURATION OF 90 SECONDS. TEMPERATURE TO BE MEASURED ON CONNECTOR SURFACE.



RECOMMENDED PC BOARD LAYOUT
1.57 [.062] PC BOARD THICKNESS



3	5788794-2
2	5788794-1
FINISH	PART NO

**COPYRIGHT 2005
TYCO ELECTRONICS CORP
ALL RIGHTS RESERVED**

THIS DRAWING IS A CONTROLLED DOCUMENT.		DIN J. ALCORTA - 04-07-05		DOCKS J. GFRACE - 04-07-05	
DIMENSIONS: mm [INCHES]		TOLERANCES UNLESS OTHERWISE SPECIFIED:		APVD M. WALMSLEY - 04-07-05	
Ø		0 PLC ± -		NAME	
⊕		1 PLC ± -		PRODUCT SPEC	
⊖		2 PLC ± 0.13 [.005]		108-40025	
⊙		3 PLC ± -		APPLICATION SPEC	
⊘		4 PLC ± -		114-40010	
⊚		ANGLES ± -		SIZE CAGE CODE DRAWING NO RESTRICTED TO	
MATERIAL		FINISH SEE TABLE		A1 00779 C=5788794	
WEIGHT		CUSTOMER DRAWING		SCALE 4:1 SHEET 1 of 1 REV B	