



2014 年 9 月

FCH041N60F

N 沟道 SuperFET® II FRFET® MOSFET 650 V, 76 A, 41 mΩ

特性

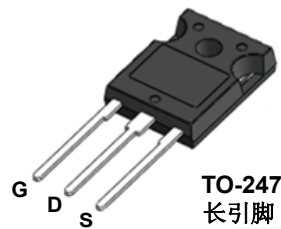
- 700 V @ $T_J = 150^\circ\text{C}$
- 典型值 $R_{DS(on)} = 36\text{ m}\Omega$
- 超低栅极电荷 (典型值 $Q_g = 226\text{ nC}$)
- 低有效输出电容 (典型值 $C_{oss(eff.)} = 843\text{ pF}$)
- 100% 经过雪崩测试
- 符合 RoHS 标准

应用

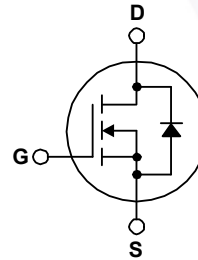
- LCD / LED / PDP TV
- 通信 / 服务器电源
- 太阳能逆变器
- AC-DC 电源

描述

SuperFET® II MOSFET 是飞兆半导体利用电荷平衡技术实现出色的低导通电阻和更低栅极电荷性能的全新高压超级结 (SJ)MOSFET 系列产品。这项技术专用于最小化导通损耗并提供卓越的开关性能、dv/dt 额定值和更高雪崩能量。因此, SuperFET II MOSFET 非常适合开关电源应用, 如功率因数校正 (PFC)、服务器 / 电信电源、平板电视电源、ATX 电源及工业电源应用。SuperFET II FRFET® MOSFET 优化体二极管的反向恢复性能可去除额外元件, 提高系统可靠性。



TO-247
长引脚



绝对最大额定值 $T_C = 25^\circ\text{C}$ 除非另有说明。

符号	参数	FCH041N65F_F155	单位
V_{DSS}	漏极-源极电压	650	V
V_{GSS}	栅极-源极电压	- DC	± 20
		- AC (f > 1 Hz)	± 30
I_D	漏极电流	- 连续 ($T_C = 25^\circ\text{C}$)	76
		- 连续 ($T_C = 100^\circ\text{C}$)	48.1
I_{DM}	漏极电流	- 脉冲 (注 1)	228
E_{AS}	单脉冲雪崩能量	(注 2)	2025
I_{AR}	雪崩电流	(注 1)	15
E_{AR}	重复雪崩能量	(注 1)	5.95
dv/dt	MOSFET dv/dt	100	V/ns
	二极管恢复 dv/dt 峰值	(注 3)	
P_D	功耗	($T_C = 25^\circ\text{C}$)	595
		- 高于 25°C 的功耗系数	4.76
T_J, T_{STG}	工作和存储温度范围	-55 至 +150	$^\circ\text{C}$
T_L	用于焊接的最高引脚温度, 距离外壳 1/8", 持续 5 秒	300	$^\circ\text{C}$

热性能

符号	参数	FCH041N65F_F155	单位
$R_{\theta JC}$	结至外壳热阻最大值	0.21	$^\circ\text{C}/\text{W}$
$R_{\theta JA}$	结至环境热阻最大值	40	

封装标识与订购信息

器件编号	顶标	封装	包装方法	卷尺寸	带宽	数量
FCH041N65F_F155	FCH041N60F	TO-247 G03	塑料管	N/A	N/A	30 颗

电气特性 $T_C = 25^\circ\text{C}$ 除非另有说明。

符号	参数	测试条件	最小值	典型值	最大值	单位
----	----	------	-----	-----	-----	----

关断特性

BV_{DSS}	漏极-源极击穿电压	$V_{GS} = 0\text{ V}, I_D = 10\text{ mA}, T_J = 25^\circ\text{C}$	650	-	-	V
		$V_{GS} = 0\text{ V}, I_D = 10\text{ mA}, T_J = 150^\circ\text{C}$	700	-	-	
$\Delta BV_{DSS} / \Delta T_J$	击穿电压温度系数	$I_D = 10\text{ mA}$, 参考 25°C 数值	-	0.71	-	$V/^\circ\text{C}$
I_{DSS}	零栅极电压漏极电流	$V_{DS} = 650\text{ V}, V_{GS} = 0\text{ V}$	-	-	10	μA
		$V_{DS} = 520\text{ V}, T_C = 125^\circ\text{C}$	-	232	-	
I_{GSS}	栅极 - 体漏电流	$V_{GS} = \pm 20\text{ V}, V_{DS} = 0\text{ V}$	-	-	± 100	nA

导通特性

$V_{GS(th)}$	栅极阈值电压	$V_{GS} = V_{DS}, I_D = 7.6\text{ mA}$	3	-	5	V
$R_{DS(on)}$	漏极至源极静态导通电阻	$V_{GS} = 10\text{ V}, I_D = 38\text{ A}$	-	36	41	$\text{m}\Omega$
g_{FS}	正向跨导	$V_{DS} = 20\text{ V}, I_D = 38\text{ A}$	-	18	-	S

动态特性

C_{iss}	输入电容	$V_{DS} = 100\text{ V}, V_{GS} = 0\text{ V}, f = 1\text{ MHz}$	-	9790	13020	pF
C_{oss}	输出电容		-	355	470	
C_{riss}	反向传输电容		-	32	-	
C_{oss}	输出电容	$V_{DS} = 380\text{ V}, V_{GS} = 0\text{ V}, f = 1\text{ MHz}$	-	192	-	pF
$C_{oss(eff.)}$	有效输出电容	$V_{DS} = 0\text{ V 至 } 520\text{ V}, V_{GS} = 0\text{ V}$	-	843	-	pF
$Q_{g(tot)}$	10 V 电压的栅极电荷总量	$V_{DS} = 380\text{ V}, I_D = 38\text{ A}, V_{GS} = 10\text{ V}$	-	226	294	nC
Q_{gs}	栅极 - 源极栅极电荷		-	50	-	
Q_{gd}	栅极 - 漏极“米勒”电荷		(注 4)	-	90	
ESR	等效串联电阻	$f = 1\text{ MHz}$	-	0.6	-	Ω

开关特性

$t_{d(on)}$	导通延迟时间	$V_{DD} = 380\text{ V}, I_D = 38\text{ A}, V_{GS} = 10\text{ V}, R_g = 4.7\ \Omega$	-	60	130	ns
t_r	导通上升时间		-	47	104	
$t_{d(off)}$	关断延迟时间		-	190	390	
t_f	关断下降时间		(注 4)	-	6.5	

漏极 - 源极二极管特性

I_S	漏极 - 源极二极管最大正向连续电流	-	-	76	A	
I_{SM}	漏极 - 源极二极管最大正向脉冲电流	-	-	228	A	
V_{SD}	漏极 - 源极二极管正向电压	$V_{GS} = 0\text{ V}, I_{SD} = 38\text{ A}$	-	-	1.2	V
t_{rr}	反向恢复时间	$V_{GS} = 0\text{ V}, I_{SD} = 38\text{ A}, di_F/dt = 100\text{ A}/\mu\text{s}$	-	208	-	ns
Q_{rr}	反向恢复电荷		-	1.3	-	μC

注:

1. 重复额定值: 脉冲宽度受限于最大结温。
2. $I_{AS} = 15\text{ A}$, $R_G = 25\ \Omega$, 开始于 $T_J = 25^\circ\text{C}$ 。
3. $I_{SD} \leq 38\text{ A}$, $di/dt \leq 200\text{ A}/\mu\text{s}$, $V_{DD} \leq 380\text{ V}$, 开始于 $T_J = 25^\circ\text{C}$ 。
4. 典型特性本质上独立于工作温度。

典型性能特征

图 1. 导通区域特性图

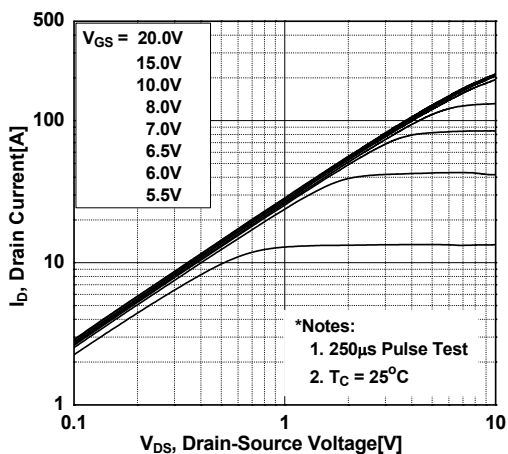


图 2. 传输特性

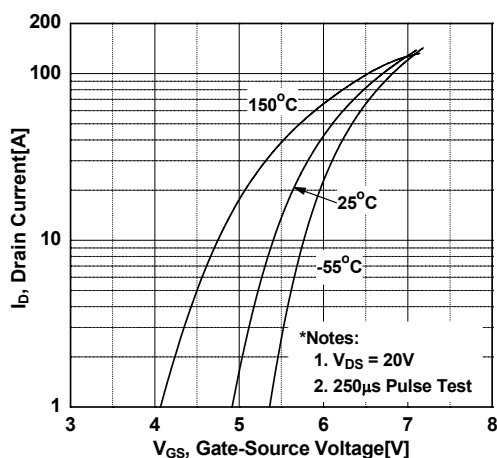


图 3. 导通电阻变化与漏极电流和栅极电压的关系

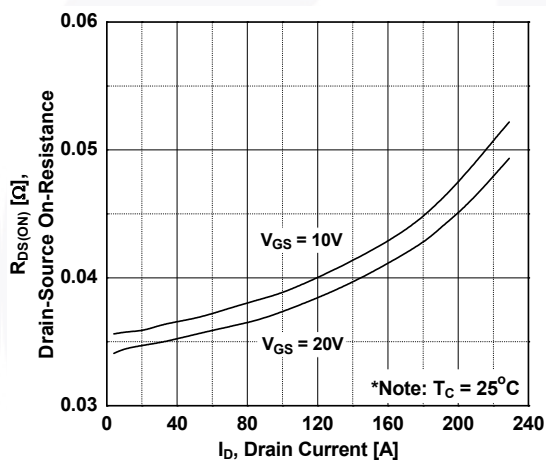


图 4. 体二极管正向电压变化与源极电流和温度的关系

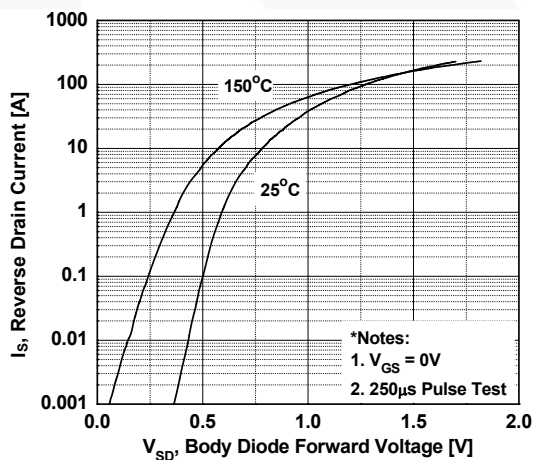


图 5. 电容特性

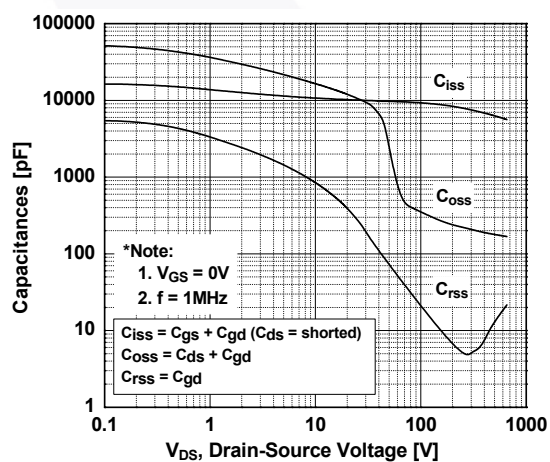
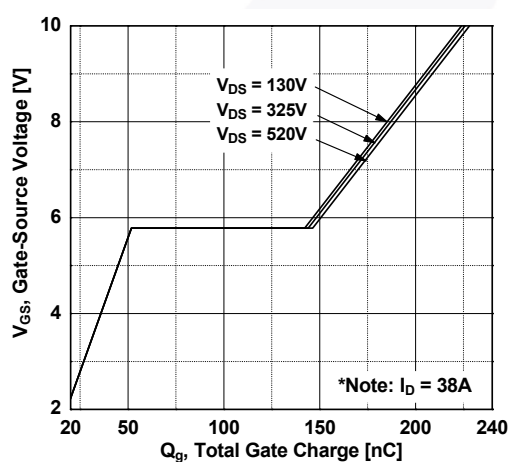


图 6. 栅极电荷特性



典型性能特性 (接上页)

图 7. 击穿电压变化与温度的关系

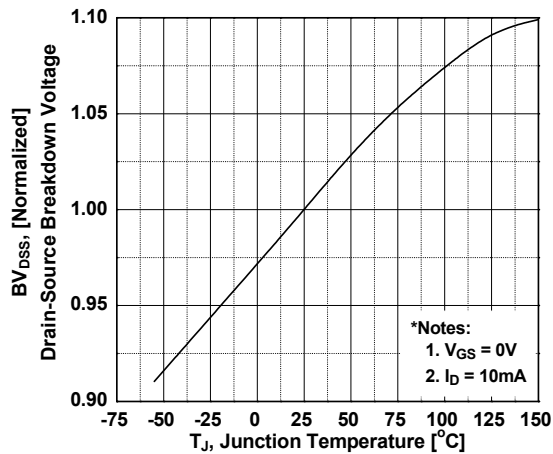


图 8. 导通电阻变化与温度的关系

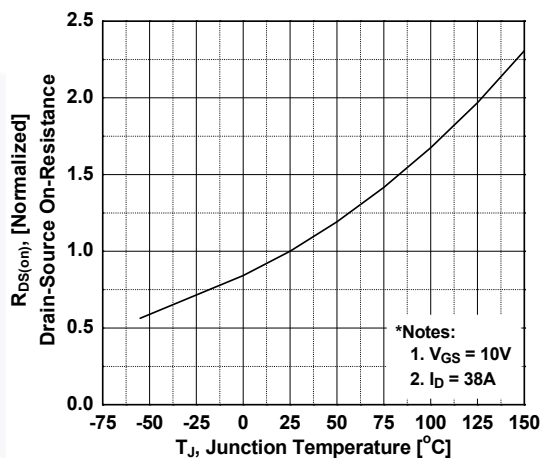


图 9. 最大安全工作区

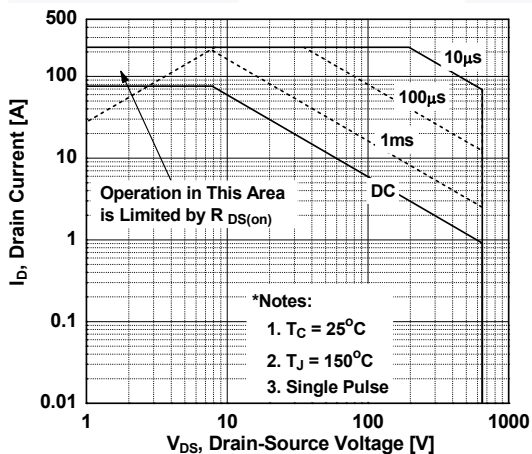


图 10. 最大漏极电流与壳温的关系

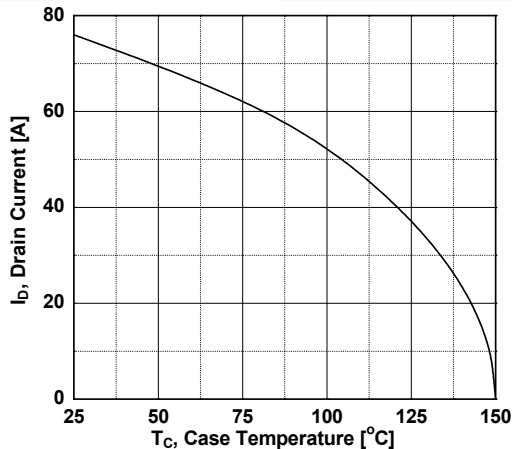
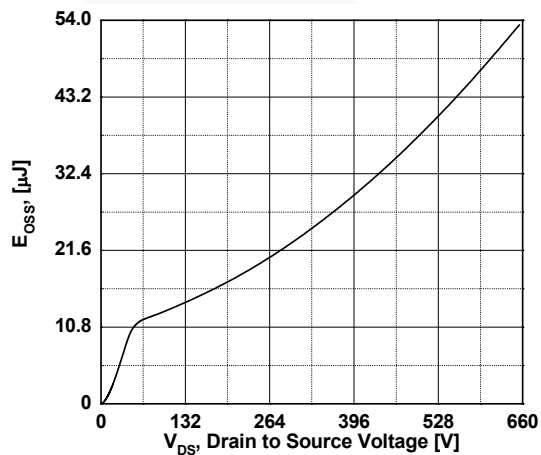
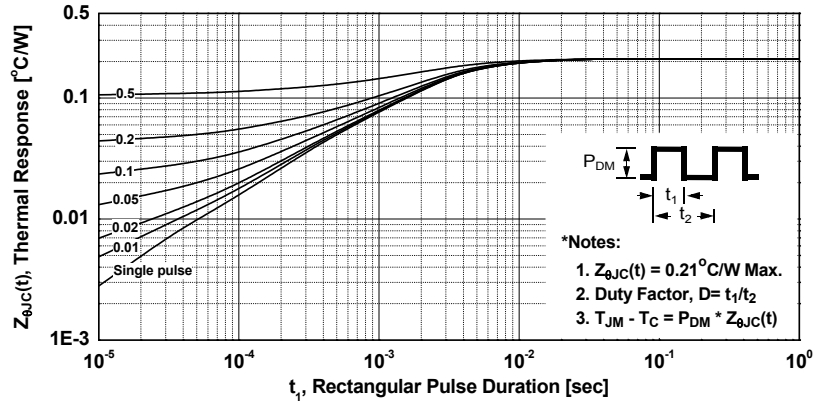


图 11. E_oss 与漏源极电压的关系



典型性能特性 (接上页)

图 12. 瞬态热响应曲线



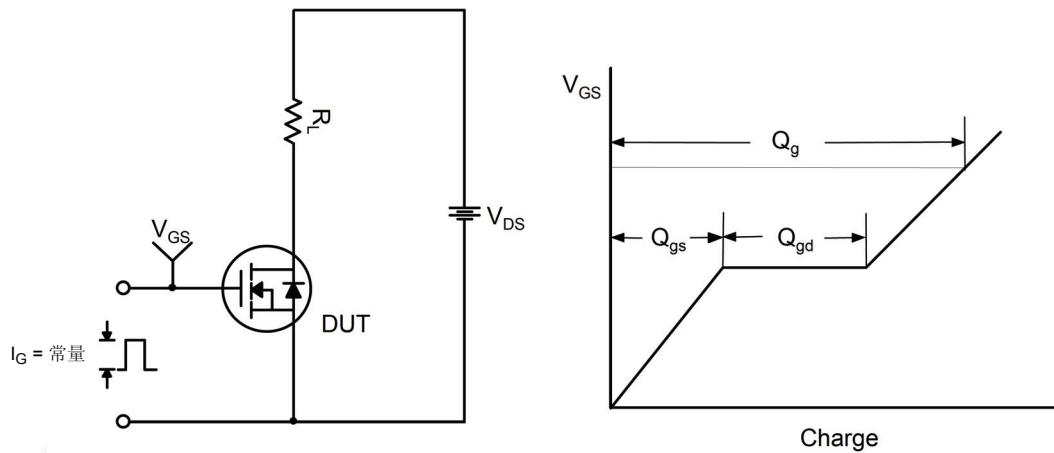


图 15. 栅极电荷测试电路与波形

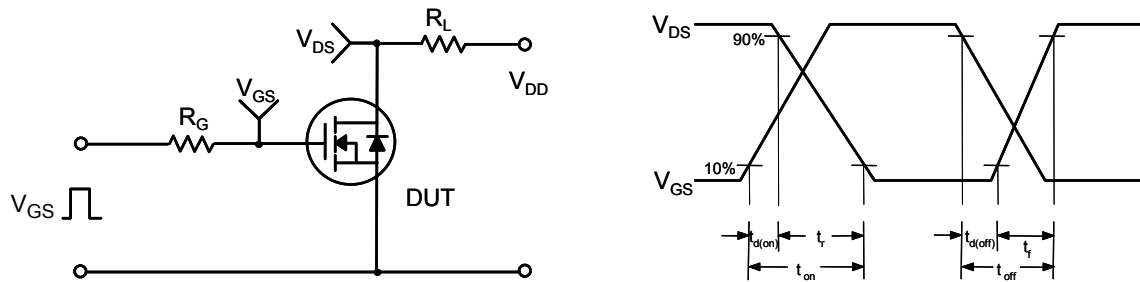


图 16. 阻性开关测试电路与波形

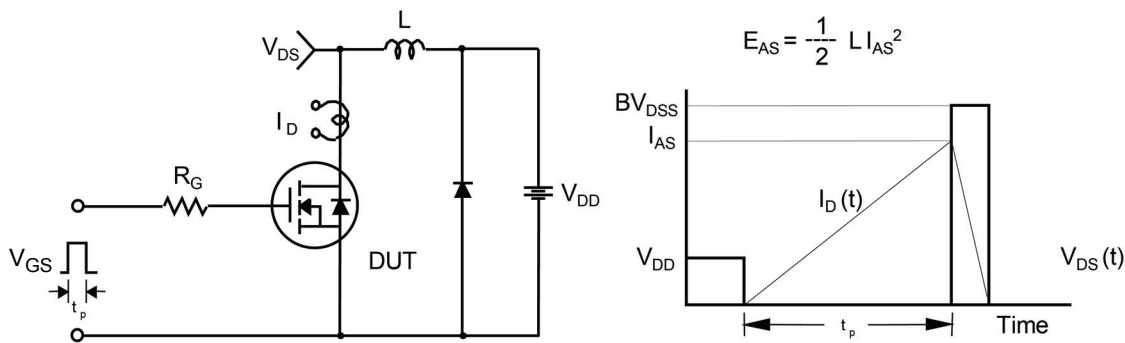


图 17. 非箝位感性开关测试电路与波形

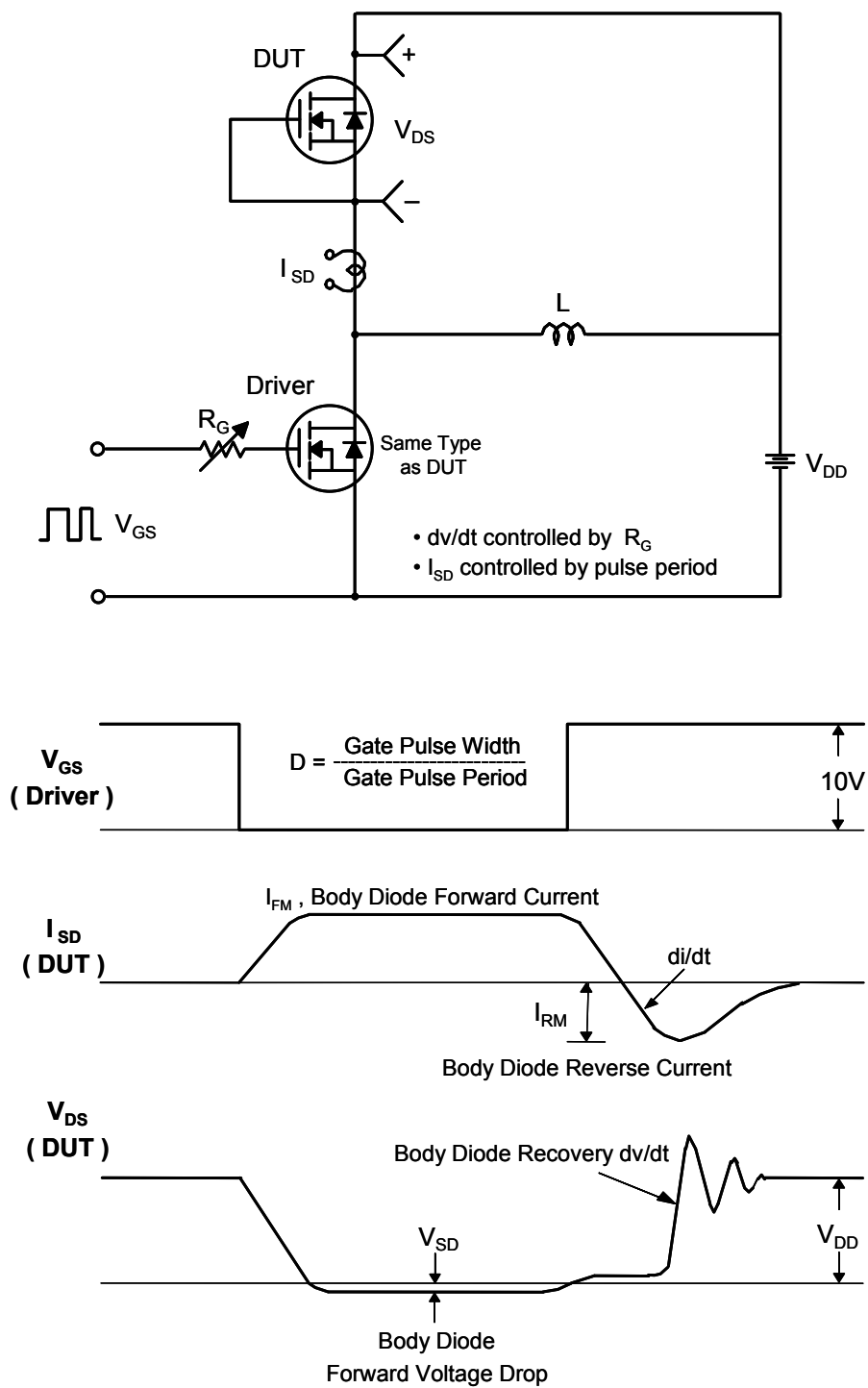
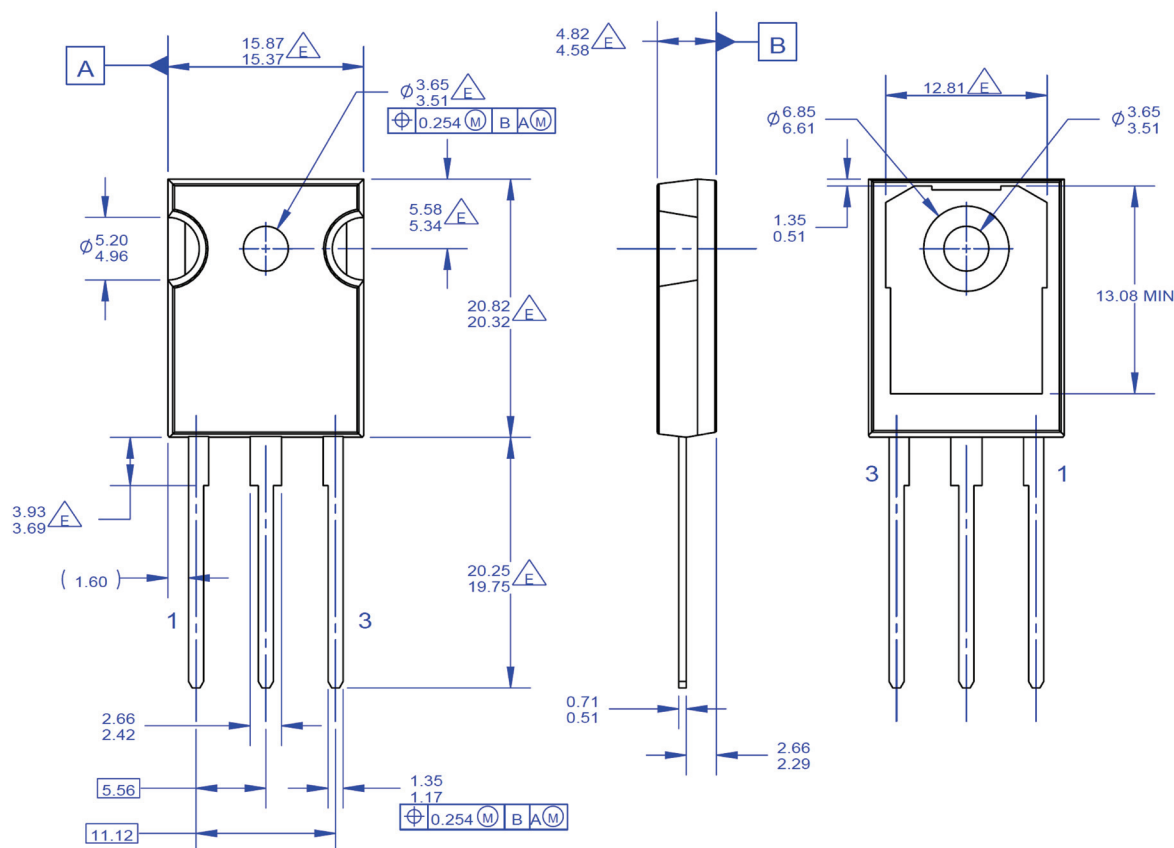


图 18. 二极管恢复 dv/dt 峰值测试电路与波形

机械尺寸



NOTES: UNLESS OTHERWISE SPECIFIED.

- A. PACKAGE REFERENCE: JEDEC TO-247, ISSUE E, VARIATION AB, DATED JUNE, 2004.
- B. DIMENSIONS ARE EXCLUSIVE OF BURRS, MOLD FLASH, AND TIE BAR EXTRUSIONS.
- C. ALL DIMENSIONS ARE IN MILLIMETERS.
- D. DRAWING CONFORMS TO ASME Y14.5 - 1994

- DOES NOT COMPLY JEDEC STANDARD VALUE
- F. DRAWING FILENAME: MKT-TO247G03_REV01

图 17. TO247, 模塑, 3 引脚, Jedec AB 长引脚

封装图纸是作为一项服务提供给考虑飞兆半导体元件的客户的。图纸可能会在没有任何通知的情况下做出一些改动。请注意图纸上的版本或日期, 如有疑问, 请联系飞兆半导体代表核实或获得最新版本。封装规格说明并不扩大飞兆半导体全球范围内的条款与条件, 尤其是其中涉及飞兆半导体产品保修的部分。


随时访问飞兆半导体在线封装网页, 可以获取最新的封装图纸:

http://www.fairchildsemi.com/package/packageDetails.html?id=PN_TO247-0A3



TRADEMARKS

The following includes registered and unregistered trademarks and service marks, owned by Fairchild Semiconductor and/or its global subsidiaries, and is not intended to be an exhaustive list of all such trademarks.

- | | | | |
|--|---|---------------------------------------|------------------|
| AccuPower™ | F-PFS™ | PowerTrench® | SYSTEM GENERAL® |
| AX-CAP®* | FRFET® | PowerXS™ | TinyBoost® |
| BitSiC™ | Global Power ResourceSM | Programmable Active Droop™ | TinyBuck® |
| Build it Now™ | GreenBridge™ | QFET® | TinyCalc™ |
| CorePLUS™ | Green FPS™ | QS™ | TinyLogic® |
| CorePOWER™ | Green FPS™ e-Series™ | Quiet Series™ | TINYOPTO™ |
| CROSSVOLT™ | Gmax™ | RapidConfigure™ | TinyPower™ |
| CTL™ | GTO™ | Saving our world, 1mW/W/kW at a time™ | TinyPWM™ |
| Current Transfer Logic™ | IntelliMAX™ | SignalWise™ | TinyWire™ |
| DEUXPEED® | ISOPLANAR™ | SmartMax™ | TranSiC™ |
| Dual Cool™ | Marking Small Speakers Sound Louder and Better™ | SMART START™ | TriFault Detect™ |
| EcoSPARK® | MegaBuck™ | Solutions for Your Success™ | TRUECURRENT®* |
| EffcentMax™ | MICROCOUPLER™ | SPM® | μSerDes™ |
| ESBC™ | MicroFET™ | STEALTH™ | UHC® |
|  Fairchild® | MicroPak™ | SuperFET® | Ultra FRFET™ |
| Fairchild Semiconductor® | MicroPak2™ | SuperSOT™-3 | UniFET™ |
| FACT Quiet Series™ | MillerDrive™ | SuperSOT™-6 | VCX™ |
| FACT® | MotionMax™ | SuperSOT™-8 | VisualMax™ |
| FAST® | mWSaver® | SupreMOS® | VoltagePlus™ |
| FastvCore™ | OptoHi™ | SyncFET™ | XS™ |
| FETBench™ | OPTOLOGIC® | Sync-Lock™ | 仙童™ |
| FPS™ | OPTOPLANAR® | | |

*Trademarks of System General Corporation, used under license by Fairchild Semiconductor.

DISCLAIMER

FAIRCHILD SEMICONDUCTOR RESERVES THE RIGHT TO MAKE CHANGES WITHOUT FURTHER NOTICE TO ANY PRODUCTS HEREIN TO IMPROVE RELIABILITY, FUNCTION, OR DESIGN. FAIRCHILD DOES NOT ASSUME ANY LIABILITY ARISING OUT OF THE APPLICATION OR USE OF ANY PRODUCT OR CIRCUIT DESCRIBED HEREIN; NEITHER DOES IT CONVEY ANY LICENSE UNDER ITS PATENT RIGHTS, NOR THE RIGHTS OF OTHERS. THESE SPECIFICATIONS DO NOT EXPAND THE TERMS OF FAIRCHILD'S WORLDWIDE TERMS AND CONDITIONS, SPECIFICALLY THE WARRANTY THEREIN, WHICH COVERS THESE PRODUCTS.

LIFE SUPPORT POLICY

FAIRCHILD'S PRODUCTS ARE NOT AUTHORIZED FOR USE AS CRITICAL COMPONENTS IN LIFE SUPPORT DEVICES OR SYSTEMS WITHOUT THE EXPRESS WRITTEN APPROVAL OF FAIRCHILD SEMICONDUCTOR CORPORATION.

As used here in:

- Life support devices or systems are devices or systems which, (a) are intended for surgical implant into the body or (b) support or sustain life, and (c) whose failure to perform when properly used in accordance with instructions for use provided in the labeling, can be reasonably expected to result in a significant injury of the user.
- A critical component in any component of a life support, device, or system whose failure to perform can be reasonably expected to cause the failure of the life support device or system, or to affect its safety or effectiveness.

ANTI-COUNTERFEITING POLICY

Fairchild Semiconductor Corporation's Anti-Counterfeiting Policy. Fairchild's Anti-Counterfeiting Policy is also stated on our external website, www.Fairchildsemi.com, under Sales Support.

Counterfeiting of semiconductor parts is a growing problem in the industry. All manufactures of semiconductor products are experiencing counterfeiting of their parts. Customers who inadvertently purchase counterfeit parts experience many problems such as loss of brand reputation, substandard performance, failed application, and increased cost of production and manufacturing delays. Fairchild is taking strong measures to protect ourselves and our customers from the proliferation of counterfeit parts. Fairchild strongly encourages customers to purchase Fairchild parts either directly from Fairchild or from Authorized Fairchild Distributors who are listed by country on our web page cited above. Products customers buy either from Fairchild directly or from Authorized Fairchild Distributors are genuine parts, have full traceability, meet Fairchild's quality standards for handling and storage and provide access to Fairchild's full range of up-to-date technical and product information. Fairchild and our Authorized Distributors will stand behind all warranties and will appropriately address and warranty issues that may arise. Fairchild will not provide any warranty coverage or other assistance for parts bought from Unauthorized Sources. Fairchild is committed to combat this global problem and encourage our customers to do their part in stopping this practice by buying direct or from authorized distributors.

PRODUCT STATUS DEFINITIONS

Definition of Terms

Datasheet Identification	Product Status	Definition
Advance Information	Formative / In Design	Datasheet contains the design specifications for product development. Specifications may change in any manner without notice.
Preliminary	First Production	Datasheet contains preliminary data; supplementary data will be published at a later date. Fairchild Semiconductor reserves the right to make changes at any time without notice to improve design.
No Identification Needed	Full Production	Datasheet contains final specifications. Fairchild Semiconductor reserves the right to make changes at any time without notice to improve the design.
Obsolete	Not In Production	Datasheet contains specifications on a product that is discontinued by Fairchild Semiconductor. The datasheet is for reference information only.

Rev. 168