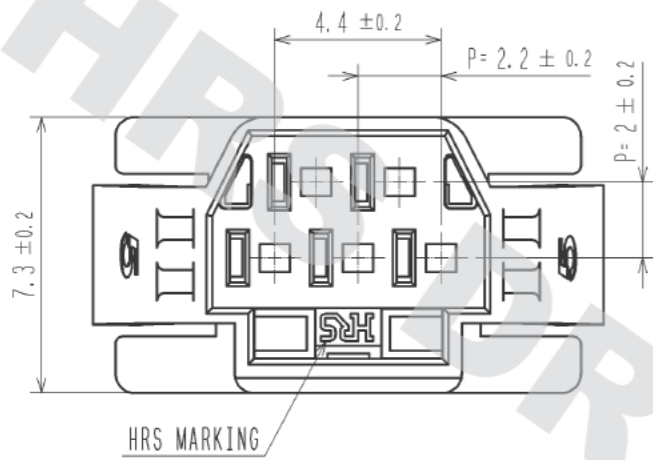
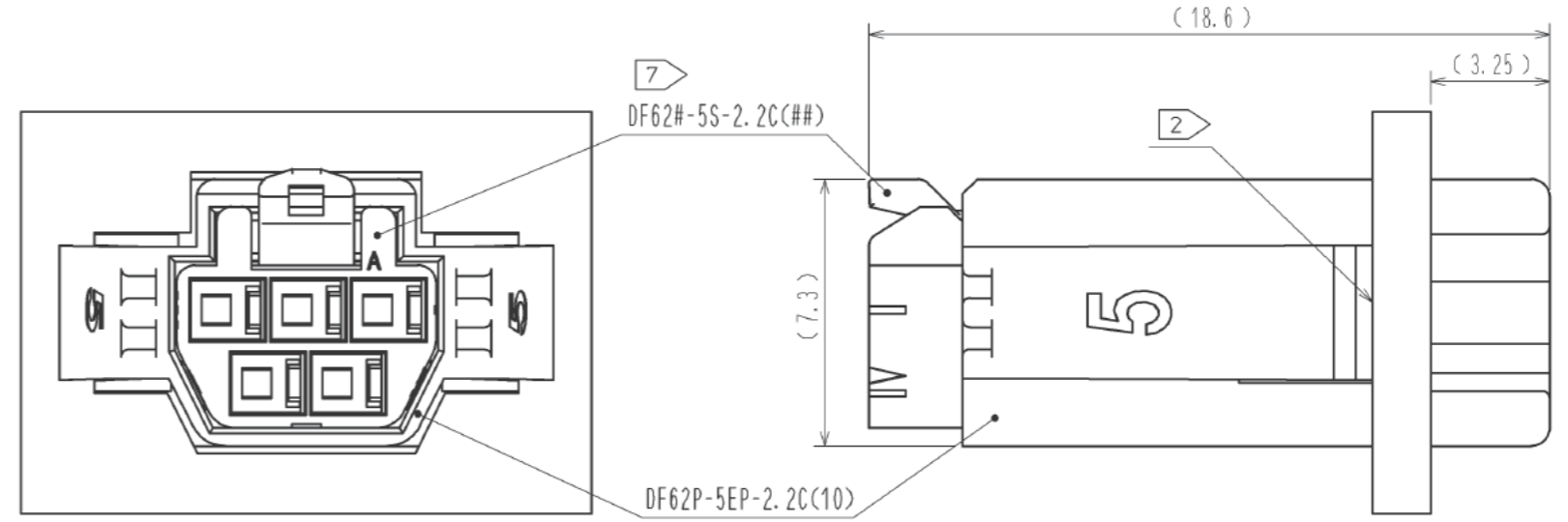


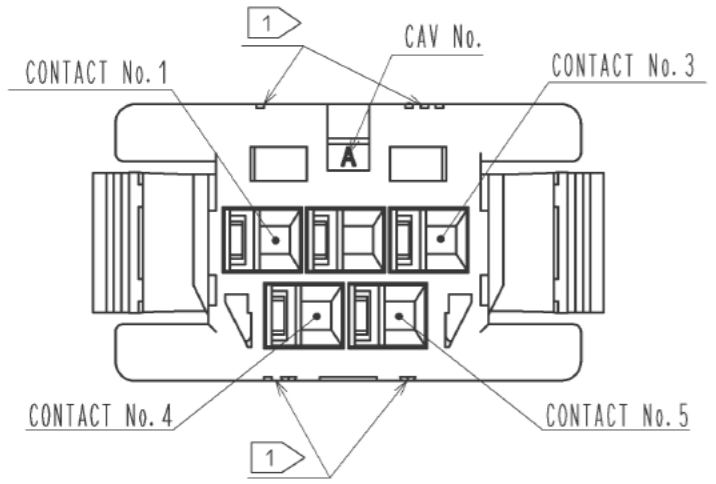
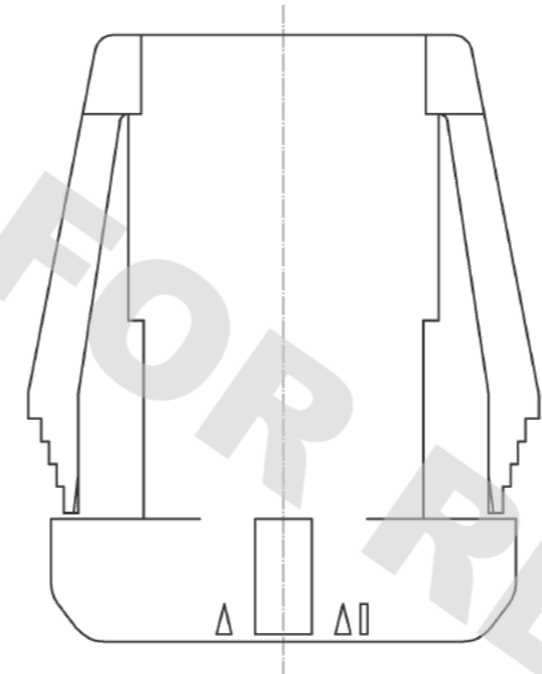
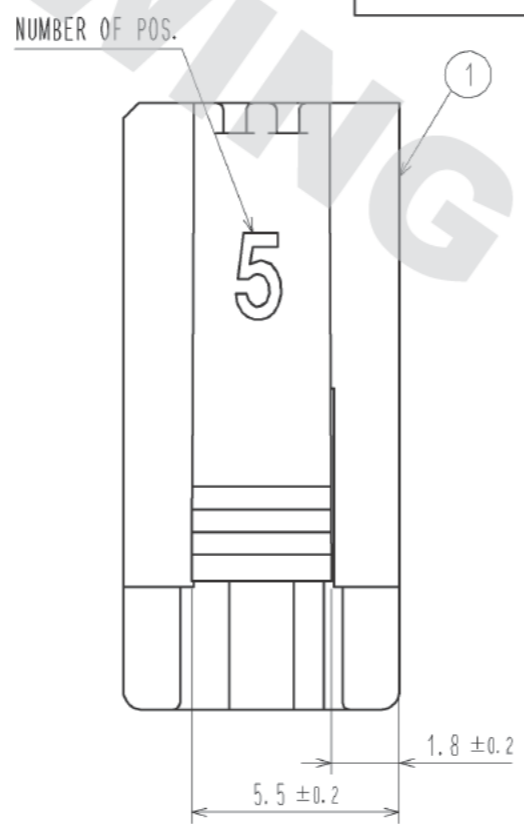
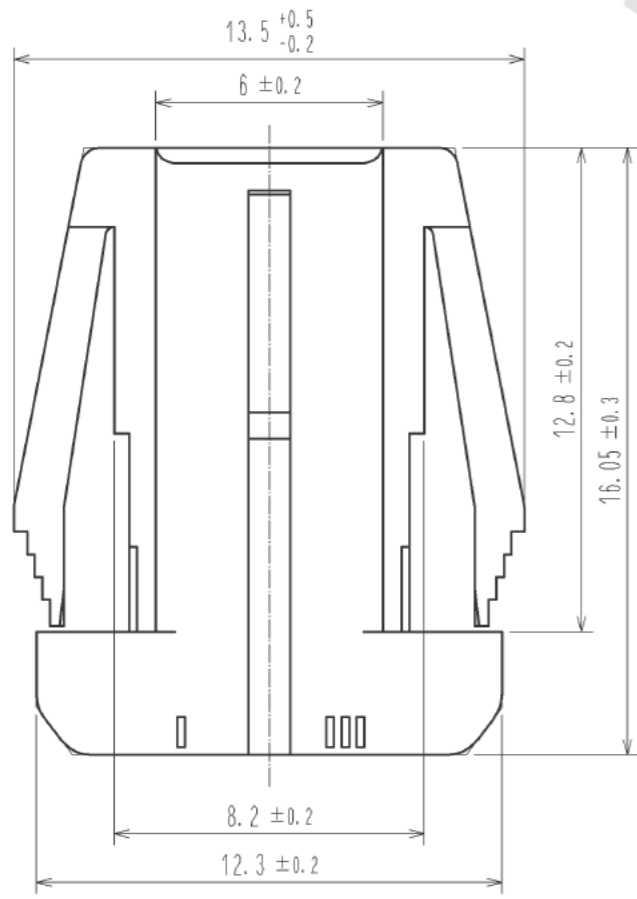
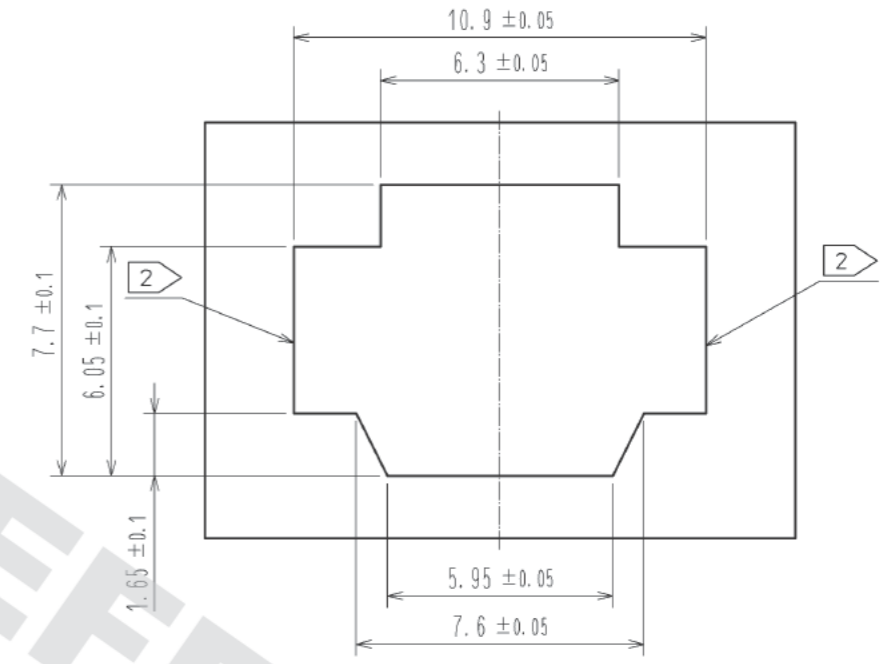
DRAWING FOR REFERENCE: This is subject to change without notice
05/31/2014



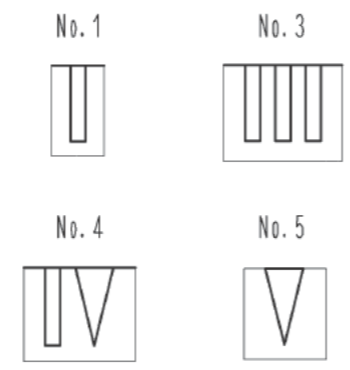
7 MATING FIGURE (PANEL MOUNTED)



3 4 RECOMMENDED PANEL CUTOUT DIMENSION



1 FIGURE-1 CONTACT No. MARKING (10:1)



- NOTE.
- 1 MARKINGS AT THE INDICATED POSITIONS ARE CONTACT NO. MARKING. AND SHAPES ARE SHOWN IN FIGURE-1.
 - 2 PLEASE USE THE NON-RADIUS SIDE FOR THE PANEL HOOKING AREA.
 - 3 APPLICABLE PANEL THICKNESS IS 2.3 TO 0.5mm.
 - 4 CONSULT HIROSE FOR THE OTHER PANEL CUTOUT DESIGNS THAN THE RECOMMENDED ONE.
 - 5. PER PACK : 100 PIECES.
 - 6. THE DIMENSIONS IN PARENTHESIS ARE FOR REFERENCE.
 - 7 THIS FIGURE SHOWS THE MATED CONDITION WITH DF62B-5S-2.2C.

NO.	MATERIAL	FINISH . REMARKS	NO.	MATERIAL	FINISH . REMARKS
1	PBT			UL94V-0(CWHITE)	
UNITS mm		SCALE 5 : 1	COUNT	DESCRIPTION OF REVISIONS	DESIGNED
HRS HIROSE ELECTRIC CO., LTD.		APPROVED : KI. AKIYAMA	14.03.10	DRAWING NO.	EDC3-349138-01
		CHECED : HK. UMEHARA	14.03.10	PART NO.	DF62P-5EP-2.2C(10)
		DESIGNED : TS. KUMAZAWA	14.03.07	CODE NO.	CL544-0546-0-10
		DRAWN : TS. KUMAZAWA	14.03.07		