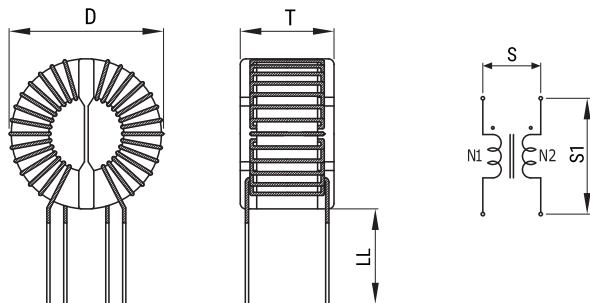


KEMET Part Number: SC-01-20GS
(UALSC0120GS000)

KEMET, SC-G/GS, AC Line Filters, Common Mode, 2000 uH



Dimensions

D	15mm MAX
T	8.5mm MAX
LL	15mm +/-2mm
S	6mm NOM

Packaging Specifications

Packaging:	Bulk
Packaging Quantity:	3000
Weight:	2 g

General Information

Series:	SC-G/GS
Style:	Through-Hole
RoHS:	Yes
Notes:	Lead Spacing (S/S1) Are For Reference Only.
Miscellaneous:	Temperature Rise Maximum: 40 K

Specifications

Voltage AC:	250 VAC
Inductance:	2 mH (1 kHz)
Current:	1 A
Temperature Range:	-25/+105°C
DC Resistance:	180 mOhms