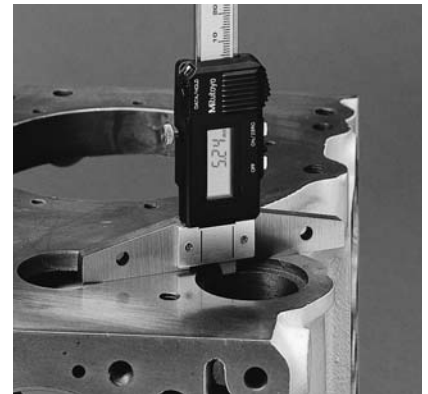


Absolute Digimatic Depth Gages

SERIES 571



DEPTH GAGES

571-201-10

FEATURES

- Models up to 300mm (8") range are ABS Digimatic Depth Gages, so that they keep track of the origin point once set for the entire life of the battery.
- Base and measuring faces are hardened and micro-lapped.
- Functions available: Zero-setting, Data hold, SPC data output, inch/mm conversion (on Inch/Metric model only).
- Power supply: One SR44 battery (938882).
- Wider extension bases are available as optional accessory.

SPECIFICATIONS

Metric			
Range	Order No.	Resolution	Accuracy
0 - 150mm	571-201-10	0.01mm	±0.02mm
0 - 200mm	571-202-10	0.01mm	±0.02mm
0 - 300mm	571-203-10	0.01mm	±0.03mm
0 - 450mm	571-204-10	0.01mm	±0.05mm
0 - 600mm	571-205-10	0.01mm	±0.05mm
0 - 750mm	571-206-10	0.01mm	±0.06mm
0 - 1000mm	571-207-10	0.01mm	±0.07mm

Excluding quantizing error

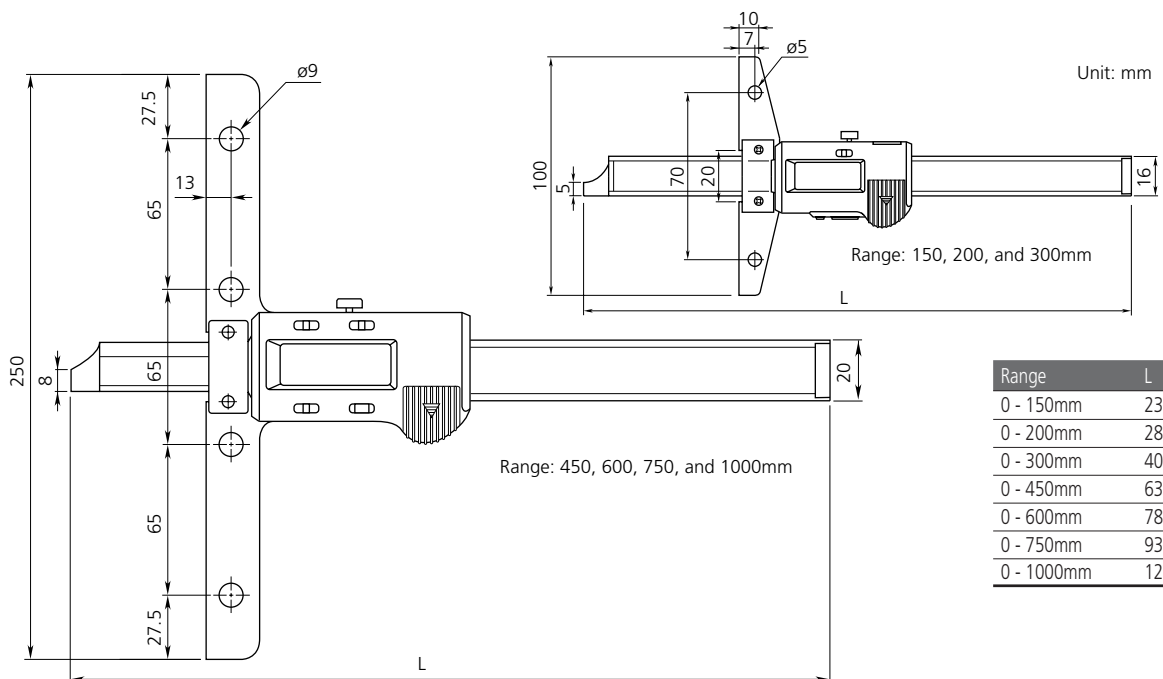
OPTIONAL ACCESSORIES

Order No.	Description
959143	Data Hold Unit for ABS Digimatic Depth Gage
959149	SPC cable with data switch (1m)
959150	SPC cable with data switch (2m)
(See page 71.)	Extension Bases

Inch/Metric			
Range	Order No.	Resolution	Accuracy
0 - 6"/150mm	571-211-10	.0005"/0.01mm	±.001"
0 - 8"/200mm	571-212-10	.0005"/0.01mm	±.001"
0 - 12"/300mm	571-213-10	.0005"/0.01mm	±.0015"
0 - 18"/450mm	571-214-10	.0005"/0.01mm	±.002"
0 - 24"/600mm	571-215-10	.0005"/0.01mm	±.002"
0 - 30"/750mm	571-216-10	.0005"/0.01mm	±.0025"
0 - 40"/1000mm	571-217-10	.0005"/0.01mm	±.003"

Excluding quantizing error

Dimensions



Range	L
0 - 150mm	237
0 - 200mm	287
0 - 300mm	403
0 - 450mm	635
0 - 600mm	785
0 - 750mm	935
0 - 1000mm	1200