

## Overview

KEMET's Space Grade Series of capacitors are suitable for use by military/aerospace customers in high reliability space applications. This series meets the requirements of MIL-PRF-55365 as well as MIL-STD-1580. These capacitors incorporate an intensive testing and screening protocol which is customizable depending on specific customer requirements. The full part number allows for designation of Weibull grading level (C=0.01%/k hours),

surge current level (10 cycles -55°C and +85°C before and/or after Weibull grading), performance testing level (see chart for details on available options), ESR (low and standard), and termination finish (see description in each series). Fused versions are available for built-in circuit protection, as well as multi-anode designs for very low ESR values

## Benefits

- Standard case sizes A-X per EIA 535BAAC
- Termination finishes options per MIL-PRF-55365: Gold Plated B, Hot Solder Dipped C, Solder Plated H, Solder Fused K
- Weibull Grading C (0.01%/1000 hours)
- Surge current testing available per MIL-PRF-55365: 10 cycles @ 25°C, 10 cycles @ -55°C and +85°C
- Standard and low ESR options available
- Operating temperature range of -55°C to +125°C
- Capacitance values of 0.1 µF to 330 µF
- Voltage rating of 4 – 50 VDC

## Applications

Typical applications include decoupling and filtering in military and aerospace applications.



## Environmental Compliance

RoHS Compliant (6/6)\* according to Directive 2002/95/EC.

*\*When ordered with 100% Sn Solder*



RoHS Compliant

## SPICE

For a detailed analysis of specific part numbers, please visit [kemet.com](http://kemet.com) for a free download of KEMET's SPICE software. The KEMET SPICE program is freeware intended to aid design engineers in analyzing the performance of these capacitors over frequency, temperature, ripple, and DC bias conditions.

## Ordering Information

T	493	D	227	K	006	C	H	61	2	A
Capacitor Class	Series	Case Size	Capacitance Code (pF)	Capacitance Tolerance	Voltage	Failure Rate/ Design	Lead Material	Surge	ESR	Testing
T = Tantalum	T493 Space Grade	A = 3216-18 B = 3528-21 C = 6032-28 D = 7343-31 X = 7343-43	First two digits represent significant figures. Third digit specifies number of zeros.	J = ±5% K = ±10% M = ±20%	004 = 4 V 006 = 6.3 V 010 = 10 V 016 = 16 V 020 = 20 V 025 = 25 V 035 = 35 V 050 = 50 V	C = .01%/1000 hours	C = Hot Solder Dipped H = Standard Solder Coated (SnPb 5% Pb minimum) B = Gold Plated K = Solder Fused T = 100% Tin	61 = None 62 = 10 Cycles 25°C After Weibull 63 = 10 cycles, -55°C and 85°C After Weibull 64 = 10 cycles, -55°C and 85°C Before Weibull Special CSPEC: CECC	1 = ESR - Standard 2 = ESR - Low	A = Option A B = Option B C = Option C

## Performance Characteristics

Item	Performance Characteristics
Operating Temperature	-55°C to 125°C
Rated Capacitance Range	0.1 – 330 µF @ 120 Hz/25°C
Capacitance Tolerance	J Tolerance (5%), K Tolerance (10%), M Tolerance (20%)
Rated voltage Range	4 – 50 V
DF(120 Hz)	Refer to Part Number Electrical Specification Table
ESR (100 kHz)	Refer to Part Number Electrical Specification Table
Leakage Current	≤ 0.01CV (mA) at rated voltage after 5 minutes

## Qualification

Test	Condition	Characteristics					
Endurance	85°C @ rated voltage, 2,000 hours 125°C @ 2/3 rated voltage, 2,000 hours	ΔC/C	Within ± 10% of initial value				
		DF	Within initial limits				
		DCL	Within 1.25 x initial limit				
		ESR	Within initial limits				
Storage Life	125°C @ 0 Volts, 2,000 hours	ΔC/C	Within ± 10% of initial value				
		DF	Within initial limits				
		DCL	Within 1.25 x initial limit				
		ESR	Within initial limits				
Thermal Shock	MIL-STD-202, Method 107, Condition B, mounted, -55°C to 125°C, 1,000 cycles	ΔC/C	Within ± 5% of initial value				
		DF	Within initial limits				
		DCL	Within 1.25 x initial limit				
		ESR	Within initial limits				
Temperature Stability	Extreme temperature exposure at a succession of continuous steps at +25°C, -55°C, +25°C, +85°C, +125°C, +25°C		+25°C	-55°C	+85°C	+125°C	
		ΔC/C	IL*	±10%	±10%	±20%	
		DF	IL	IL	1.5 x IL	1.5 x IL	
		DCL	IL	n/a	10 x IL	12 x IL	
		Surge Voltage	25°C and 85°C, 1.32 x rated voltage 1,000 cycles. (125°C, 1.2 x rated voltage)	ΔC/C	Within ± 5% of initial value		
				DF	Within initial limits		
DCL	Within initial limits						
ESR	Within initial limits						
Mechanical Shock/Vibration	MIL-STD-202, Method 213, Condition I, 100 G peak. MIL-STD-202, Method 204, Condition D, 10 Hz to 2,000 Hz, 20 G peak	ΔC/C	Within ±10% of initial value				
		DF	Within initial limits				
		DCL	Within initial limits				

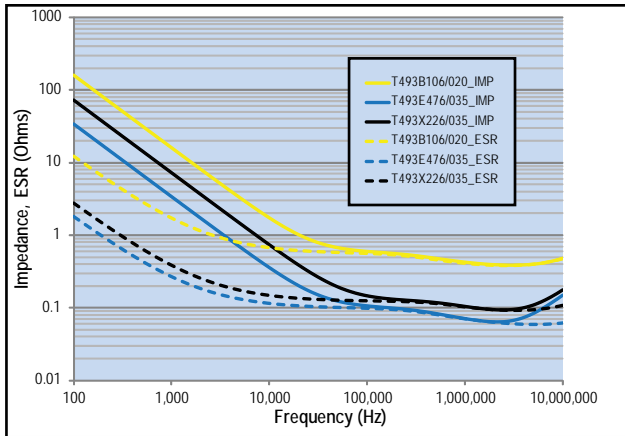
\*IL = Initial Limit

## Certification

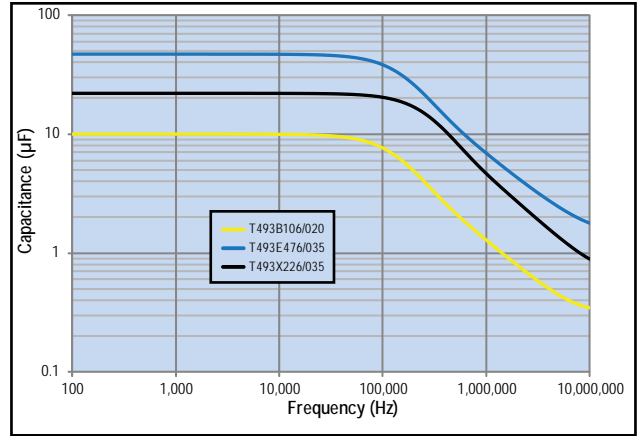
MIL-PRF-55365/8  
 CECC 30801-005  
 DSCC Drawing 07016

## Electrical Characteristics

ESR vs. Frequency

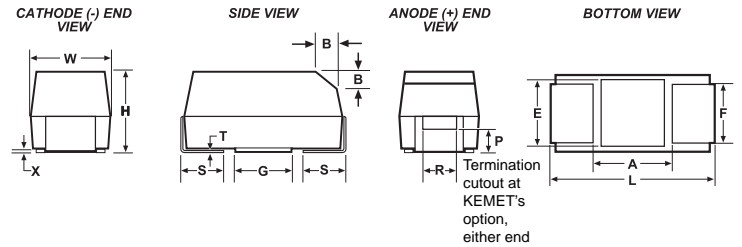


Capacitance vs. Frequency



## Dimensions – Millimeters (Inches)

Metric will govern



Case Size		Component												
KEMET	EIA	L*	W*	H*	F* ±0.1 ±(.004)	S* ±0.3 ±(.012)	B* ±0.15 (Ref) ±.006	X (Ref)	P (Ref)	R (Ref)	T (Ref)	A (Min)	G (Ref)	E (Ref)
A	3216-18	3.2 ± 0.2 (.126 ± .008)	1.6 ± 0.2 (.063 ± .008)	1.6 ± 0.2 (.063 ± .008)	1.2 (.047)	0.8 (.031)	0.4 (.016)	0.10 ± 0.10 (.004 ± .004)	0.4 (.016)	0.4 (.016)	0.13 (.005)	1.4 (.055)	1.1 (.043)	1.3 (.051)
B	3528-21	3.5 ± 0.2 (.138 ± .008)	2.8 ± 0.2 (.110 ± .008)	1.9 ± 0.2 (.075 ± .008)	2.2 (.087)	0.8 (.031)	0.4 (.016)	0.10 ± 0.10 (.004 ± .004)	0.5 (.020)	1.0 (.039)	0.13 (.005)	2.1 (.083)	1.8 (.071)	2.2 (.087)
C	6032-28	6.0 ± 0.3 (.236 ± .03)	3.2 ± 0.3 (.126 ± .012)	2.5 ± 0.3 (.098 ± .012)	2.2 (.087)	1.3 (.051)	0.5 (.020)	0.10 ± 0.10 (.004 ± .004)	0.9 (.035)	1.0 (.039)	0.13 (.005)	3.1 (.122)	2.8 (.110)	2.4 (.094)
D	7343-31	7.3 ± 0.3 (.287 ± .012)	4.3 ± 0.3 (.169 ± .012)	2.8 ± 0.3 (.110 ± .012)	2.4 (.094)	1.3 (.051)	0.5 (.020)	0.10 ± 0.10 (.004 ± .004)	0.9 (.035)	1.0 (.039)	0.13 (.005)	3.8 (.150)	3.5 (.138)	3.5 (.138)
X	7343-43	7.3 ± 0.3 (.287 ± .012)	4.3 ± 0.3 (.169 ± .012)	4.0 ± 0.3 (.157 ± .012)	2.4 (.094)	1.3 (.051)	0.5 (.020)	0.10 ± 0.10 (.004 ± .004)	1.7 (.067)	1.0 (.039)	0.13 (.005)	3.8 (.150)	3.5 (.138)	3.5 (.138)

Notes: (Ref) – Dimensions provided for reference only. No dimensions provided for B, P or R because low profile cases do not have a bevel or a notch.

\* MIL-C-55365/8 specified dimensions

**Table 1A – Ratings & Part Number Reference**

Rated voltage	Rated Cap	Case Code/ Case Size	KEMET Part Number	DC Leakage	DF	Standard ESR	Low ESR	Moisture Sensitivity
85°C	120Hz	KEMET/EIA	(See below for part options)	μAmps +20°C	+20°C 120Hz	+20°C 100kHz	+20°C 100kHz	Temp≤260°C
VDC	μF			max/5min	% Max	Ohms	Ohms	J-STD-020D
4	2.2	A	T493A225(1)004(2)(3)(4)(5)(6)	0.5	6.0	8.0	6.0	1
4	3.3	A	T493A335(1)004(2)(3)(4)(5)(6)	0.5	6.0	8.0	4.0	1
4	4.7	A	T493A475(1)004(2)(3)(4)(5)(6)	0.5	6.0	8.0	3.5	1
4	6.8	A	T493A685(1)004(2)(3)(4)(5)(6)	0.5	6.0	6.0	3.0	1
4	6.8	B	T493B685(1)004(2)(3)(4)(5)(6)	0.5	6.0	5.5	2.0	1
4	10.0	A	T493A106(1)004(2)(3)(4)(5)(6)	0.5	6.0	6.0	2.0	1
4	10.0	B	T493B106(1)004(2)(3)(4)(5)(6)	0.5	6.0	3.5	1.2	1
4	15.0	A	T493A156(1)004(2)(3)(4)(5)(6)	0.6	6.0	4.0	1.5	1
4	15.0	B	T493B156(1)004(2)(3)(4)(5)(6)	0.6	6.0	3.5	1.2	1
4	22.0	A	T493A226(1)004(2)(3)(4)(5)(6)	0.9	6.0	4.0	1.5	1
4	22.0	B	T493B226(1)004(2)(3)(4)(5)(6)	0.9	6.0	3.5	0.6	1
4	22.0	C	T493C226(1)004(2)(3)(4)(5)(6)	0.9	6.0	1.8	0.5	1
4	33.0	B	T493B336(1)004(2)(3)(4)(5)(6)	1.3	6.0	3.5	0.5	1
4	33.0	C	T493C336(1)004(2)(3)(4)(5)(6)	1.3	6.0	1.8	0.5	1
4	47.0	B	T493B476(1)004(2)(3)(4)(5)(6)	1.9	6.0	3.0	0.5	1
4	47.0	C	T493C476(1)004(2)(3)(4)(5)(6)	1.9	6.0	1.8	0.5	1
4	68.0	B	T493B686(1)004(2)(3)(4)(5)(6)	2.7	6.0	3.5	2.0	1
4	68.0	C	T493C686(1)004(2)(3)(4)(5)(6)	2.7	6.0	1.6	0.25	1
4	68.0	D	T493D686(1)004(2)(3)(4)(5)(6)	2.7	6.0	0.8	0.2	1
4	100.0	C	T493C107(1)004(2)(3)(4)(5)(6)	4.0	8.0	1.2	0.2	1
4	100.0	D	T493D107(1)004(2)(3)(4)(5)(6)	4.0	8.0	0.8	0.2	1
4	#150	C	T493C157(1)004(2)(3)(4)(5)(6)	6	8	1.2	0.3	1
4	150	D	T493D157(1)004(2)(3)(4)(5)(6)	6	8	0.8	0.15	1
4	220	D	T493D227(1)004(2)(3)(4)(5)(6)	8.8	8	0.9	0.7	1
4	330	D	T493D337(1)004(2)(3)(4)(5)(6)	13.2	8	0.7	0.15	1
4	330	X	T493X337(1)004(2)(3)(4)(5)(6)	13.2	8	0.5	0.2	1
6.3	1.5	A	T493A155(1)006(2)(3)(4)(5)(6)	0.5	6	8	6	1
6.3	2.2	A	T493A225(1)006(2)(3)(4)(5)(6)	0.5	6	8	6	1
6.3	3.3	A	T493A335(1)006(2)(3)(4)(5)(6)	0.5	6	8	6	1
6.3	4.7	A	T493A475(1)006(2)(3)(4)(5)(6)	0.5	6	6	3.5	1
6.3	4.7	B	T493B475(1)006(2)(3)(4)(5)(6)	0.5	6	5.5	3.5	1
6.3	6.8	A	T493A685(1)006(2)(3)(4)(5)(6)	0.5	6	6	2	1
6.3	6.8	B	T493B685(1)006(2)(3)(4)(5)(6)	0.5	6	3.5	1.2	1
6.3	10	A	T493A106(1)006(2)(3)(4)(5)(6)	0.6	6	4	2	1
6.3	10	B	T493B106(1)006(2)(3)(4)(5)(6)	0.6	6	3.5	1	1
6.3	15	A	T493A156(1)006(2)(3)(4)(5)(6)	0.9	6	4	1.5	1
6.3	15	B	T493B156(1)006(2)(3)(4)(5)(6)	0.9	6	3.5	0.7	1
6.3	15	C	T493C156(1)006(2)(3)(4)(5)(6)	0.9	6	1.8	0.6	1
6.3	22	B	T493B226(1)006(2)(3)(4)(5)(6)	1.4	6	3.5	0.6	1
6.3	22	C	T493C226(1)006(2)(3)(4)(5)(6)	1.4	6	1.8	0.5	1
6.3	33	B	T493B336(1)006(2)(3)(4)(5)(6)	2	6	3	0.6	1
6.3	33	C	T493C336(1)006(2)(3)(4)(5)(6)	2	6	1.8	0.3	1
6.3	47	B	T493B476(1)006(2)(3)(4)(5)(6)	2.9	6	3.5	2	1
6.3	47	C	T493C476(1)006(2)(3)(4)(5)(6)	2.9	6	1.6	0.25	1
6.3	47	D	T493D476(1)006(2)(3)(4)(5)(6)	2.9	6	0.8	0.22	1
VDC	μF	KEMET/EIA	(See below for part options)	max/5min	% Max	Ohms	Ohms	J-STD-020D
85°C	120Hz			μAmps +20°C	+20°C 120Hz	+20°C 100kHz	+20°C 100kHz	Temp≤260°C
Rated voltage	Rated Cap	Case Code/ Case Size	KEMET Part Number	DC Leakage	DF	Standard ESR	Low ESR	Moisture Sensitivity

- (1) To complete KEMET part number, insert M for ±20%, K for ±10%. Designates Capacitance tolerance.
  - (2) To complete KEMET part number, insert C (0.01%/1,000 hours). Designates Reliability Level.
  - (3) To complete KEMET part number, insert H = Solder Plated or T = 100% Tin (Sn). Designates Termination Finish.
  - (4) To complete KEMET part number, insert 61 = None, 62 = 10 cycles +25°C, 63 = 10 cycles -55°C +85°C after Weibull, 64 = 10 cycles -55°C +85°C before Weibull or 65 = Both. Designates Surge current option.
  - (5) To complete KEMET part number, insert 1 = Standard ESR, 2 = Low ESR. Designates ESR option.
  - (6) To complete KEMET part number, insert A = Option 1, B = Option 2 or C = Option 3. Designates Test Option. See Space Grade Test Methods chart for more information.
- Refer to Ordering Information for additional detail.

**Table 1A – Ratings & Part Number Reference cont'd**

Rated voltage	Rated Cap	Case Code/ Case Size	KEMET Part Number	DC Leakage	DF	Standard ESR	Low ESR	Moisture Sensitivity
				$\mu$ Amps +20°C max/5min	+20°C 120Hz % Max	+20°C 100kHz Ohms	+20°C 100kHz Ohms	Temp $\leq$ 260°C J-STD-020D
85°C VDC	120Hz $\mu$ F	KEMET/EIA	(See below for part options)					
6.3	68	C	T493C686(1)006(2)(3)(4)(5)(6)	4.1	6	1.2	0.2	1
6.3	68	D	T493D686(1)006(2)(3)(4)(5)(6)	4.1	6	0.8	0.2	1
6.3	100	C	T493C107(1)006(2)(3)(4)(5)(6)	6	8	1.2	0.3	1
6.3	100	D	T493D107(1)006(2)(3)(4)(5)(6)	6	8	0.8	0.15	1
6.3	150	D	T493D157(1)006(2)(3)(4)(5)(6)	9	8	0.7	0.15	1
6.3	220	D	T493D227(1)006(2)(3)(4)(5)(6)	13.2	8	0.7	0.1	1
6.3	220	X	T493X227(1)006(2)(3)(4)(5)(6)	13.2	8	0.7	0.15	1
6.3	330	D	T493D337(1)006(2)(3)(4)(5)(6)	19.8	8	0.5	0.15	1
6.3	330	X	T493X337(1)006(2)(3)(4)(5)(6)	19.8	8	0.5	0.1	1
10	1	A	T493A105(1)010(2)(3)(4)(5)(6)	0.5	4	10	6	1
10	1.5	A	T493A155(1)010(2)(3)(4)(5)(6)	0.5	6	8	6	1
10	2.2	A	T493A225(1)010(2)(3)(4)(5)(6)	0.5	6	8	6	1
10	3.3	A	T493A335(1)010(2)(3)(4)(5)(6)	0.5	6	6	4	1
10	3.3	B	T493B335(1)010(2)(3)(4)(5)(6)	0.5	6	5.5	3.5	1
10	4.7	A	T493A475(1)010(2)(3)(4)(5)(6)	0.5	6	6	3	1
10	4.7	B	T493B475(1)010(2)(3)(4)(5)(6)	0.5	6	3.5	1.5	1
10	6.8	A	T493A685(1)010(2)(3)(4)(5)(6)	0.7	6	6	3	1
10	6.8	B	T493B685(1)010(2)(3)(4)(5)(6)	0.7	6	3.5	1.2	1
10	10	A	T493A106(1)010(2)(3)(4)(5)(6)	1	6	4	1.8	1
10	10	B	T493B106(1)010(2)(3)(4)(5)(6)	1	6	3.5	0.8	1
10	10	C	T493C106(1)010(2)(3)(4)(5)(6)	1	6	1.8	0.6	1
10	15	B	T493B156(1)010(2)(3)(4)(5)(6)	1.5	6	3.5	0.7	1
10	15	C	T493C156(1)010(2)(3)(4)(5)(6)	1.5	6	1.8	0.5	1
10	22	B	T493B226(1)010(2)(3)(4)(5)(6)	2.2	6	3	0.7	1
10	22	C	T493C226(1)010(2)(3)(4)(5)(6)	2.2	6	1.8	0.4	1
10	33	C	T493C336(1)010(2)(3)(4)(5)(6)	3.3	6	1.6	0.3	1
10	33	D	T493D336(1)010(2)(3)(4)(5)(6)	3.3	6	0.8	0.25	1
10	47	C	T493C476(1)010(2)(3)(4)(5)(6)	4.7	6	1.2	0.3	1
10	47	D	T493D476(1)010(2)(3)(4)(5)(6)	4.7	6	0.8	0.22	1
10	68	C	T493C686(1)010(2)(3)(4)(5)(6)	6.8	6	1.2	0.3	1
10	68	D	T493D686(1)010(2)(3)(4)(5)(6)	6.8	6	0.8	0.2	1
10	68	X	T493X686(1)010(2)(3)(4)(5)(6)	5.4	4	0.5	0.15	1
10	100	D	T493D107(1)010(2)(3)(4)(5)(6)	10	8	0.7	0.1	1
10	150	D	T493D157(1)010(2)(3)(4)(5)(6)	15	8	0.7	0.1	1
10	150	X	T493X157(1)010(2)(3)(4)(5)(6)	15	8	0.7	0.15	1
10	#220	D	T493D227(1)010(2)(3)(4)(5)(6)	22	8	0.5	0.15	1
10	220	X	T493X227(1)010(2)(3)(4)(5)(6)	22	8	0.5	0.1	1
10	330	X	T493X337(1)010(2)(3)(4)(5)(6)	33	10	0.5	0.1	1
16	0.68	A	T493A684(1)016(2)(3)(4)(5)(6)	1.1	6	12	8	1
16	1	A	T493A105(1)016(2)(3)(4)(5)(6)	0.5	4	10	6	1
16	1.5	A	T493A155(1)016(2)(3)(4)(5)(6)	0.5	6	8	6	1
16	2.2	A	T493A225(1)016(2)(3)(4)(5)(6)	0.5	6	6	4	1
16	3.3	B	T493B335(1)016(2)(3)(4)(5)(6)	0.5	6	3.5	2	1
16	4.7	B	T493B475(1)016(2)(3)(4)(5)(6)	0.8	6	3.5	1.5	1
VDC	$\mu$ F	KEMET/EIA	(See below for part options)	max/5min	% Max	Ohms	Ohms	J-STD-020D
85°C	120Hz			$\mu$ Amps +20°C	+20°C 120Hz	+20°C 100kHz	+20°C 100kHz	Temp $\leq$ 260°C
Rated voltage	Rated Cap	Case Code/ Case Size	KEMET Part Number	DC Leakage	DF	Standard ESR	Low ESR	Moisture Sensitivity

- (1) To complete KEMET part number, insert M for  $\pm 20\%$ , K for  $\pm 10\%$ . Designates Capacitance tolerance.
  - (2) To complete KEMET part number, insert C (0.01%/1,000 hours). Designates Reliability Level.
  - (3) To complete KEMET part number, insert H = Solder Plated or T = 100% Tin (Sn). Designates Termination Finish.
  - (4) To complete KEMET part number, insert 61 = None, 62 = 10 cycles +25°C, 63 = 10 cycles -55°C +85°C after Weibull, 64 = 10 cycles -55°C +85°C before Weibull or 65 = Both. Designates Surge current option.
  - (5) To complete KEMET part number, insert 1 = Standard ESR, 2 = Low ESR. Designates ESR option.
  - (6) To complete KEMET part number, insert A = Option 1, B = Option 2 or C = Option 3. Designates Test Option. See Space Grade Test Methods chart for more information.
- Refer to Ordering Information for additional detail.

**Table 1A – Ratings & Part Number Reference cont'd**

Rated voltage	Rated Cap	Case Code/ Case Size	KEMET Part Number	DC Leakage	DF	Standard ESR	Low ESR	Moisture Sensitivity
				$\mu$ Amps +20°C max/5min	+20°C 120Hz % Max	+20°C 100kHz Ohms	+20°C 100kHz Ohms	Temp $\leq$ 260°C J-STD-020D
85°C VDC	120Hz $\mu$ F	KEMET/EIA	(See below for part options)					
16	6.8	B	T493B685(1)016(2)(3)(4)(5)(6)	1.1	6	3.5	1.2	1
16	6.8	C	T493C685(1)016(2)(3)(4)(5)(6)	1.1	6	1.9	0.8	1
16	10	C	T493C106(1)016(2)(3)(4)(5)(6)	1.6	6	1.8	0.6	1
16	15	C	T493C156(1)016(2)(3)(4)(5)(6)	2.4	6	1.8	0.4	1
16	22	C	T493C226(1)016(2)(3)(4)(5)(6)	3.6	6	1.6	0.35	1
16	22	D	T493D226(1)016(2)(3)(4)(5)(6)	3.6	6	0.8	0.25	1
16	33	D	T493D336(1)016(2)(3)(4)(5)(6)	5.3	6	0.8	0.25	1
16	47	D	T493D476(1)016(2)(3)(4)(5)(6)	7.5	6	0.8	0.2	1
16	68	D	T493D686(1)016(2)(3)(4)(5)(6)	10.9	6	0.7	0.15	1
16	100	X	T493X107(1)016(2)(3)(4)(5)(6)	16	8	0.7	0.1	1
20	0.47	A	T493A474(1)020(2)(3)(4)(5)(6)	0.5	4	14	9	1
20	0.68	A	T493A684(1)020(2)(3)(4)(5)(6)	0.5	4	12	8	1
20	1	A	T493A105(1)020(2)(3)(4)(5)(6)	0.5	4	10	5.5	1
20	1.5	B	T493B155(1)020(2)(3)(4)(5)(6)	0.5	6	6	4.0	1
20	2.2	B	T493B225(1)020(2)(3)(4)(5)(6)	0.5	6	3.5	1.5	1
20	3.3	B	T493B335(1)020(2)(3)(4)(5)(6)	0.7	6	3.5	1.3	1
20	4.7	C	T493C475(1)020(2)(3)(4)(5)(6)	1	6	2.4	0.6	1
20	6.8	C	T493C685(1)020(2)(3)(4)(5)(6)	1.4	6	1.9	0.6	1
20	10	C	T493C106(1)020(2)(3)(4)(5)(6)	2	6	1.8	0.5	1
20	15	C	T493C156(1)020(2)(3)(4)(5)(6)	3	6	1.7	0.4	1
20	15	D	T493D156(1)020(2)(3)(4)(5)(6)	3	6	1	0.35	1
20	22	D	T493D226(1)020(2)(3)(4)(5)(6)	4.4	6	0.8	0.3	1
20	33	D	T493D336(1)020(2)(3)(4)(5)(6)	6.6	6	0.8	0.2	1
20	47	X	T493X476(1)020(2)(3)(4)(5)(6)	7.5	4	0.7	0.15	1
20	68	X	T493X686(1)020(2)(3)(4)(5)(6)	13.6	6	0.7	0.15	1
25	0.33	A	T493A334(1)025(2)(3)(4)(5)(6)	0.5	4	15	10	1
25	0.47	A	T493A474(1)025(2)(3)(4)(5)(6)	0.5	4	14	9	1
25	0.68	A	T493A684(1)025(2)(3)(4)(5)(6)	0.5	4	10	6	1
25	0.68	B	T493B684(1)025(2)(3)(4)(5)(6)	0.5	4	7.5	5.5	1
25	1	A	T493A105(1)025(2)(3)(4)(5)(6)	0.5	4	8	4	1
25	1	B	T493B105(1)025(2)(3)(4)(5)(6)	0.5	4	5	2	1
25	1.5	A	T493A155(1)025(2)(3)(4)(5)(6)	0.5	6	10	3	1
25	1.5	B	T493B155(1)025(2)(3)(4)(5)(6)	0.5	6	5	1.5	1
25	2.2	B	T493B225(1)025(2)(3)(4)(5)(6)	0.6	6	4.5	1.2	1
25	2.2	C	T493C225(1)025(2)(3)(4)(5)(6)	0.6	6	3.5	2.2	1
25	3.3	B	T493B335(1)025(2)(3)(4)(5)(6)	0.9	6	3.5	2	1
25	3.3	C	T493C335(1)025(2)(3)(4)(5)(6)	0.9	6	2.5	1.2	1
25	4.7	C	T493C475(1)025(2)(3)(4)(5)(6)	1.2	6	2.4	0.6	1
25	6.8	C	T493C685(1)025(2)(3)(4)(5)(6)	1.7	6	1.9	0.6	1
25	6.8	D	T493D685(1)025(2)(3)(4)(5)(6)	1.7	6	1.4	1	1
25	10	C	T493C106(1)025(2)(3)(4)(5)(6)	2.5	6	1.5	0.5	1
25	10	D	T493D106(1)025(2)(3)(4)(5)(6)	2.5	6	1	0.4	1
25	#15	C	T493C156(1)025(2)(3)(4)(5)(6)	3.8	6	1.5	0.9	1
25	15	D	T493D156(1)025(2)(3)(4)(5)(6)	3.8	6	1	0.35	1
VDC	$\mu$ F	KEMET/EIA	(See below for part options)	max/5min	% Max	Ohms	Ohms	J-STD-020D
85°C	120Hz			$\mu$ Amps +20°C	+20°C 120Hz	+20°C 100kHz	+20°C 100kHz	Temp $\leq$ 260°C
Rated voltage	Rated Cap	Case Code/ Case Size	KEMET Part Number	DC Leakage	DF	Standard ESR	Low ESR	Moisture Sensitivity

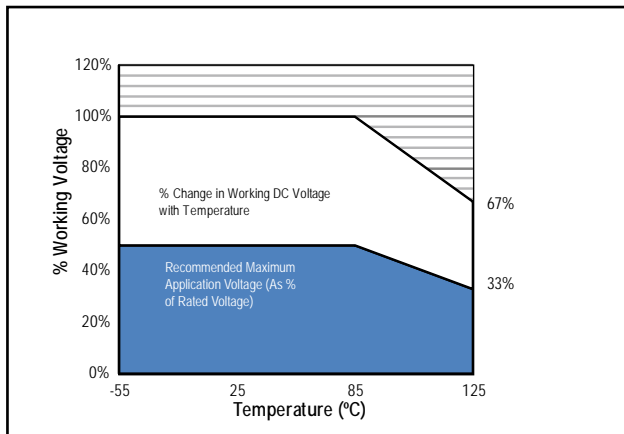
- (1) To complete KEMET part number, insert M for  $\pm 20\%$ , K for  $\pm 10\%$ . Designates Capacitance tolerance.
  - (2) To complete KEMET part number, insert C (0.01%/1,000 hours). Designates Reliability Level.
  - (3) To complete KEMET part number, insert H = Solder Plated or T = 100% Tin (Sn). Designates Termination Finish.
  - (4) To complete KEMET part number, insert 61 = None, 62 = 10 cycles +25°C, 63 = 10 cycles -55°C +85°C after Weibull, 64 = 10 cycles -55°C +85°C before Weibull or 65 = Both. Designates Surge current option.
  - (5) To complete KEMET part number, insert 1 = Standard ESR, 2 = Low ESR. Designates ESR option.
  - (6) To complete KEMET part number, insert A = Option 1, B = Option 2 or C = Option 3. Designates Test Option. See Space Grade Test Methods chart for more information.
- Refer to Ordering Information for additional detail.

**Table 1A – Ratings & Part Number Reference cont'd**

Rated voltage	Rated Cap	Case Code/ Case Size	KEMET Part Number	DC Leakage	DF	Standard ESR	Low ESR	Moisture Sensitivity
				$\mu$ Amps +20°C max/5min	+20°C 120Hz % Max	+20°C 100kHz Ohms	+20°C 100kHz Ohms	Temp $\leq$ 260°C J-STD-020D
85°C VDC	120Hz $\mu$ F	KEMET/EIA	(See below for part options)					
25	15	X	T493X156(1)025(2)(3)(4)(5)(6)	3	6	0.7	0.2	1
25	22	D	T493D226(1)025(2)(3)(4)(5)(6)	5.5	6	0.8	0.2	1
25	22	X	T493X226(1)025(2)(3)(4)(5)(6)	4.4	4	0.7	0.23	1
25	33	X	T493X336(1)025(2)(3)(4)(5)(6)	8.3	6	0.7	0.3	1
35	0.10	A	T493A104(1)035(2)(3)(4)(5)(6)	0.5	4	20	10	1
35	0.15	A	T493A154(1)035(2)(3)(4)(5)(6)	0.5	4	19	6	1
35	0.22	A	T493A224(1)035(2)(3)(4)(5)(6)	0.5	4	18	6	1
35	0.33	A	T493A334(1)035(2)(3)(4)(5)(6)	0.5	4	15	6	1
35	0.47	A	T493A474(1)035(2)(3)(4)(5)(6)	0.5	4	14	4	1
35	0.47	B	T493B474(1)035(2)(3)(4)(5)(6)	0.5	4	8	2.5	1
35	0.68	A	T493A684(1)035(2)(3)(4)(5)(6)	0.5	4	10	6	1
35	0.68	B	T493B684(1)035(2)(3)(4)(5)(6)	0.5	4	6.5	2.5	1
35	1.0	B	T493B105(1)035(2)(3)(4)(5)(6)	0.5	4	5	2	1
35	1.5	B	T493B155(1)035(2)(3)(4)(5)(6)	0.5	6	5	3	1
35	1.5	C	T493C155(1)035(2)(3)(4)(5)(6)	0.5	6	4.5	2.5	1
35	2.2	B	T493B225(1)035(2)(3)(4)(5)(6)	0.8	6	4	2.5	1
35	2.2	C	T493C225(1)035(2)(3)(4)(5)(6)	0.8	6	3.5	1.5	1
35	3.3	C	T493C335(1)035(2)(3)(4)(5)(6)	1.2	6	2.5	0.8	1
35	4.7	C	T493C475(1)035(2)(3)(4)(5)(6)	1.7	6	2.5	0.6	1
35	4.7	D	T493D475(1)035(2)(3)(4)(5)(6)	1.7	6	1.5	0.7	1
35	6.8	D	T493D685(1)035(2)(3)(4)(5)(6)	2.4	6	1.3	0.5	1
35	10	D	T493D106(1)035(2)(3)(4)(5)(6)	3.5	6	1	0.3	1
35	10	X	T493X106(1)035(2)(3)(4)(5)(6)	2.8	4	0.9	0.25	1
35	15	D	T493D156(1)035(2)(3)(4)(5)(6)	5.3	6	0.8	0.3	1
35	15	X	T493X156(1)035(2)(3)(4)(5)(6)	5.3	6	0.9	0.3	1
35	22	X	T493X226(1)035(2)(3)(4)(5)(6)	7.7	6	0.7	0.3	1
50	0.10	A	T493A104(1)050(2)(3)(4)(5)(6)	0.5	4	20	10	1
50	0.15	A	T493A154(1)050(2)(3)(4)(5)(6)	0.5	4	19	10	1
50	0.15	B	T493B154(1)050(2)(3)(4)(5)(6)	0.5	4	16	10	1
50	0.22	B	T493B224(1)050(2)(3)(4)(5)(6)	0.5	4	14	10	1
50	0.33	B	T493B334(1)050(2)(3)(4)(5)(6)	0.5	4	10	2.5	1
50	0.47	B	T493B474(1)050(2)(3)(4)(5)(6)	0.5	4	9	2	1
50	0.47	C	T493C474(1)050(2)(3)(4)(5)(6)	0.5	4	8	1.8	1
50	0.68	C	T493C684(1)050(2)(3)(4)(5)(6)	0.5	4	7	1.6	1
50	1	C	T493C105(1)050(2)(3)(4)(5)(6)	0.5	4	5.5	1.6	1
50	1.5	C	T493C155(1)050(2)(3)(4)(5)(6)	0.8	6	4.5	1.5	1
50	1.5	D	T493D155(1)050(2)(3)(4)(5)(6)	0.8	6	3.5	1	1
50	2.2	C	T493C225(1)050(2)(3)(4)(5)(6)	1.1	6	3.5	1.5	1
50	2.2	D	T493D225(1)050(2)(3)(4)(5)(6)	1.1	6	2.5	0.8	1
50	3.3	D	T493D335(1)050(2)(3)(4)(5)(6)	1.7	6	2	0.8	1
50	4.7	D	T493D475(1)050(2)(3)(4)(5)(6)	2.4	6	1.5	0.6	1
50	4.7	X	T493X475(1)050(2)(3)(4)(5)(6)	1.9	4	0.9	0.3	1
50	6.8	X	T493X685(1)050(2)(3)(4)(5)(6)	3.5	6	1	0.5	1
50	10	X	T493X106(1)050(2)(3)(4)(5)(6)	5	6	0.7	0.4	1
VDC	$\mu$ F	KEMET/EIA	(See below for part options)	max/5min	% Max	Ohms	Ohms	J-STD-020D
85°C	120Hz			$\mu$ Amps +20°C	+20°C 120Hz	+20°C 100kHz	+20°C 100kHz	Temp $\leq$ 260°C
Rated voltage	Rated Cap	Case Code/ Case Size	KEMET Part Number	DC Leakage	DF	Standard ESR	Low ESR	Moisture Sensitivity

- (1) To complete KEMET part number, insert M for  $\pm 20\%$ , K for  $\pm 10\%$ . Designates Capacitance tolerance.
  - (2) To complete KEMET part number, insert C (0.01%/1,000 hours). Designates Reliability Level.
  - (3) To complete KEMET part number, insert H = Solder Plated or T = 100% Tin (Sn). Designates Termination Finish.
  - (4) To complete KEMET part number, insert 61 = None, 62 = 10 cycles +25°C, 63 = 10 cycles -55°C +85°C after Weibull, 64 = 10 cycles -55°C +85°C before Weibull or 65 = Both. Designates Surge current option.
  - (5) To complete KEMET part number, insert 1 = Standard ESR, 2 = Low ESR. Designates ESR option.
  - (6) To complete KEMET part number, insert A = Option 1, B = Option 2 or C = Option 3. Designates Test Option. See Space Grade Test Methods chart for more information.
- Refer to Ordering Information for additional detail.

## Recommended Voltage Derating Guidelines



## Ripple Current/Ripple Voltage

Case Code		Maximum Power Dissipation (P max) mWatts @ 25°C w/+20°C Rise
KEMET	EIA	
A	3216-18	75
B	3528-21	85
C	6032-28	110
D	7343-31	150
X	7343-43	165
E	7260-38	200
R	2012-12	25
S	3216-12	60
T	3528-12	70
U	6032-15	90
V	7343-20	125
T510X	7343-43	270
T510E	7260-38	285

Temperature Compensation Multipliers for Maximum Power Dissipation		
≤25°C	85°C	125°C
1.00	0.90	0.40

$T =$  Environmental Temperature

Using the P max of the device, the maximum allowable rms ripple current or voltage may be determined.

$$I(max) = \sqrt{P_{max}/R}$$

$$E(max) = \sqrt{P_{max} \cdot R}$$

$I =$  rms ripple current (amperes)

$E =$  rms ripple voltage (volts)

$P_{max} =$  maximum power dissipation (watts)

$R =$  ESR at specified frequency (ohms)

## Reverse Voltage

Solid tantalum capacitors are polar devices and may be permanently damaged or destroyed if connected with the wrong polarity. The positive terminal is identified on the capacitor body by a stripe plus in some cases a beveled edge. A small degree of transient reverse voltage is permissible for short periods per the table. The capacitors should not be operated continuously in reverse mode, even within these limits.

Temperature	Permissible Transient Reverse Voltage
25°C	15% of Rated voltage
85°C	5% of Rated voltage
125°C	1% of Rated voltage

**Table 2 – Land Dimensions/Courtyard**

KEMET	Metric Size Code	Density Level A: Maximum (Most) Land Protrusion (mm)					Density Level B: Median (Nominal) Land Protrusion (mm)					Density Level C: Minimum (Least) Land Protrusion (mm)				
		X	Y	C	V1	V2	X	Y	C	V1	V2	X	Y	C	V1	V2
Case	EIA	X	Y	C	V1	V2	X	Y	C	V1	V2	X	Y	C	V1	V2
A	3216-18	1.35	2.15	1.45	6.10	2.80	1.25	1.75	1.35	5.00	2.30	1.15	1.35	1.25	4.10	2.00
B	3528-21	2.35	2.15	1.45	6.10	4.00	2.25	1.75	1.35	5.00	3.50	2.15	1.35	1.25	4.10	3.20
C	6032-28	2.35	2.65	2.60	8.90	4.40	2.25	2.25	2.50	7.80	3.90	2.15	1.85	2.40	6.90	3.60
D	7343-31	2.55	3.75	2.70	10.20	5.50	2.45	3.35	2.60	9.10	5.00	2.35	2.95	2.50	8.20	4.70
E <sup>1</sup>	7260-38	4.25	2.65	3.20	10.10	7.20	4.15	2.25	3.30	9.40	6.70	4.05	1.85	3.00	8.10	6.40
X <sup>1</sup>	7343-43	2.55	3.75	2.70	10.20	5.50	2.45	3.35	2.60	9.10	5.00	2.35	2.95	2.50	8.20	4.70

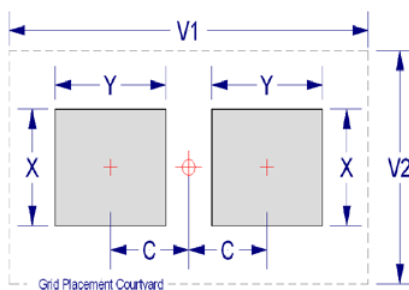
*Density Level A: For low-density product applications. Recommended for wave solder applications and provides a wider process window for reflow solder processes.*

*Density Level B: For products with a moderate level of component density. Provides a robust solder attachment condition for reflow solder processes.*

*Density Level C: For high component density product applications. Before adapting the minimum land pattern variations the user should perform qualification testing based on the conditions outlined in IPC Standard 7351 (IPC-7351).*

<sup>1</sup> Height of these chips may create problems in wave soldering.

<sup>2</sup> Land pattern geometry is too small for silkscreen outline.



## Soldering Process

KEMET's families of surface mount capacitors are compatible with wave (single or dual), convection, IR or vapor phase reflow techniques. Preheating of these components is recommended to avoid extreme thermal stress. KEMET's recommended profile conditions for convection and IR reflow reflect the profile conditions of the IPC/J-STD-020D standard for moisture sensitivity testing. The devices can safely withstand a maximum of three reflow passes at these conditions.

Note that although the X/7343-43 case size can withstand wave soldering, the tall profile (4.3 mm maximum) dictates care in wave process development.

Hand soldering should be performed with care due to the difficulty in process control. If performed, care should be taken to avoid contact of the soldering iron to the molded case. The iron should be used to heat the solder pad, applying solder between the pad and the termination, until reflow occurs. Once reflow occurred, the iron should be removed immediately. "Wiping" the edges of a chip and heating the top surface is not recommended.

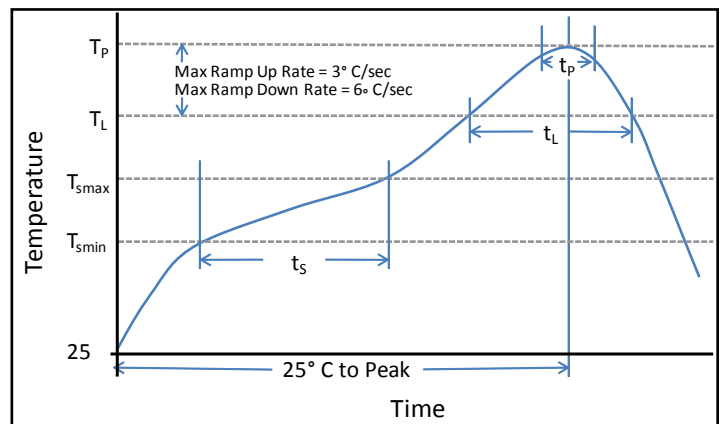
During typical reflow operations, a slight darkening of the gold-colored epoxy may be observed. This slight darkening is normal and is not harmful to the product. Marking permanency is not affected by this change.

Profile Feature	SnPb Assembly	Pb-Free Assembly
<b>Preheat/Soak</b>		
Temperature Min ( $T_{Smin}$ )	100°C	150°C
Temperature Max ( $T_{Smax}$ )	150°C	200°C
Time ( $t_s$ ) from $T_{Smin}$ to $T_{Smax}$	60-120 sec	60-120 sec
Ramp-up Rate ( $T_L$ to $T_p$ )	3°C/sec max	3°C/sec max
Liquidous Temperature ( $T_L$ )	183°C	217°C
Time Above Liquidous ( $t_L$ )	60-150 sec	60-150 sec
Peak Temperature ( $T_p$ )	220°C* 235°C**	250°C* 260°C**
Time within 5°C of Max Peak Temperature ( $t_p$ )	20 sec max	30 sec max
Ramp-down Rate ( $T_p$ to $T_L$ )	6°C/sec max	6°C/sec max
Time 25°C to Peak Temperature	6 minutes max	8 minutes max

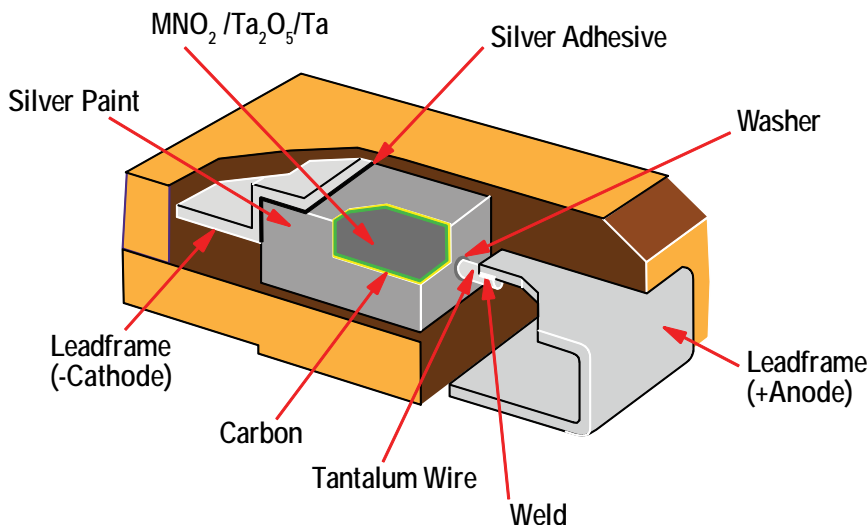
Note: All temperatures refer to the center of the package, measured on the package body surface that is facing up during assembly reflow.

\*Case Size D, E, P, Y and X

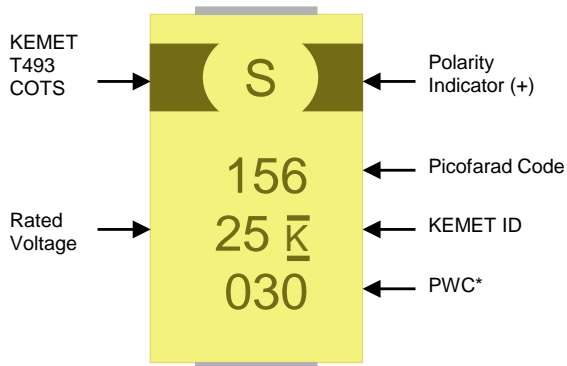
\*\*Case Size A, B, C, H, I, K, M, R, S, T, U, V, W and Z



## Construction



## Capacitor Marking



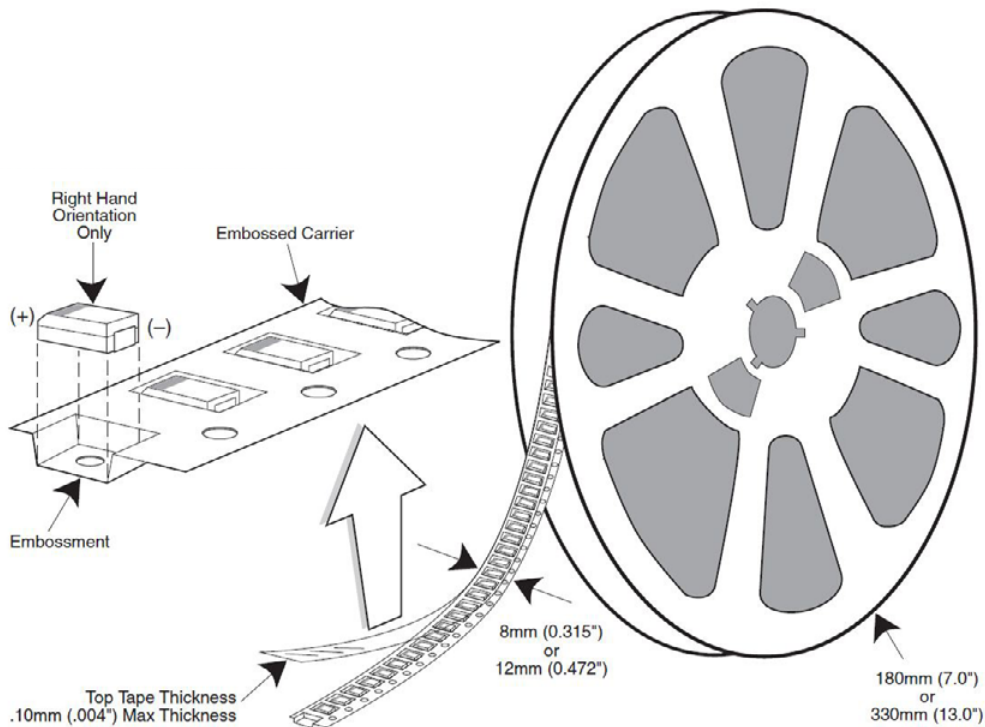
\* 030 = 30<sup>th</sup> week of 2010

## Storage

Tantalum chip capacitors should be stored in normal working environments. While the chips themselves are quite robust in other environments, solderability will be degraded by exposure to high temperatures, high humidity, corrosive atmospheres, and long term storage. In addition, packaging materials will be degraded by high temperature-reels may soften or warp, and tape peel force may increase. KEMET recommends that maximum storage temperature not exceed 40°C, and maximum storage humidity not exceed 60% relative humidity. Temperature fluctuations should be minimized to avoid condensation on the parts, and atmospheres should be free of chlorine and sulphur bearing compounds. For optimized solderability, chip stock should be used promptly, preferably within three years of receipt.

## Tape & Reel Packaging Information

KEMET's Molded Tantalum and Aluminum Chip Capacitor families are packaged in 8 and 12 mm plastic tape on 7" and 13" reels, in accordance with EIA Standard 481-D: Taping of Surface Mount Components for Automatic Handling. This packaging system is compatible with all tape fed automatic pick and place systems

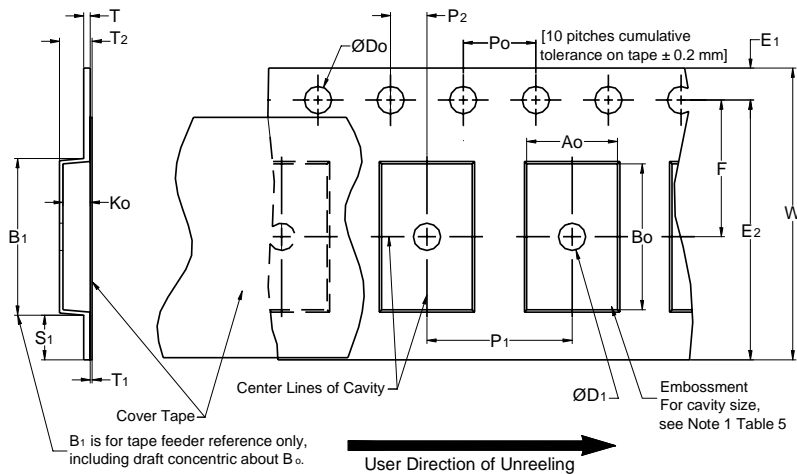


**Table 3 – Packaging Quantity**

Case Code		Tape Width-mm	7" Reel*	13" Reel*
KEMET	EIA			
R	2012-12	8	2,500	10,000
I	3216-10	8	3,000	12,000
S	3216-12	8	2,500	10,000
T	3528-12	8	2,500	10,000
M	3528-15	8	2,000	8,000
U	6032-15	12	1,000	5,000
L	6032-19	12	1,000	5,000
W	7343-15	12	1,000	3,000
Z	7343-17	12	1,000	3,000
V	7343-20	12	1,000	3,000
A	3216-18	8	2,000	9,000
B	3528-21	8	2,000	8,000
C	6032-28	12	500	3,000
D	7343-31	12	500	2,500
Y	7343-40	12	500	2,000
X	7343-43	12	500	2,000
H	7260-20	12	1,000	3,000
E	7260-38	12	500	2,000

\* No c-spec required for 7" reel packaging. C-7280 required for 13" reel packaging.

**Figure 1 – Embossed (Plastic) Carrier Tape Dimensions**



**Table 4 – Embossed (Plastic) Carrier Tape Dimensions**

Metric will govern

Constant Dimensions — Millimeters (Inches)									
Tape Size	D <sub>0</sub>	D <sub>1</sub> Min. Note 1	E <sub>1</sub>	P <sub>0</sub>	P <sub>2</sub>	R Ref. Note 2	S <sub>1</sub> Min. Note 3	T Max.	T <sub>1</sub> Max.
8 mm	1.5 +0.10/-0.0 (0.059 +0.004/-0.0)	1.0 (0.039)	1.75 ± 0.10 (0.069 ± 0.004)	4.0 ± 0.10 (0.157 ± 0.004)	2.0 ± 0.05 (0.079 ± 0.002)	25.0 (0.984)	0.600 (0.024)	0.600 (0.024)	0.100 (0.004)
12 mm		1.5 (0.059)				30 (1.181)			
16 mm									
Variable Dimensions — Millimeters (Inches)									
Tape Size	Pitch	B <sub>1</sub> Max. Note 4	E <sub>2</sub> Min.	F	P <sub>1</sub>	T <sub>2</sub> Max	W Max	A <sub>0</sub> , B <sub>0</sub> & K <sub>0</sub>	
8 mm	Single (4 mm)	4.35 (0.171)	6.25 (0.246)	3.5 ± 0.05 (0.138 ± 0.002)	4.0 ± 0.10 (0.157 ± 0.004)	2.5 (0.098)	8.3 (0.327)	Note 5	
12 mm	Single (4 mm) & Double (8 mm)	8.2 (0.323)	10.25 (0.404)	5.5 ± 0.05 (0.217 ± 0.002)	8.0 ± 0.10 (0.315 ± 0.004)	4.6 (0.181)	12.3 (0.484)		
16 mm	Triple (12 mm)	12.1 (0.476)	14.25 (0.561)	5.5 ± 0.05 (0.217 ± 0.002)	8.0 ± 0.10 (0.315 ± 0.004)	4.6 (0.181)	16.3 (0.642)		

- The embossment hole location shall be measured from the sprocket hole controlling the location of the embossment. Dimensions of embossment location and hole location shall be applied independent of each other.
- The tape with or without components shall pass around R without damage (see Figure 5).
- If S<sub>1</sub> < 1.0 mm, there may not be enough area for cover tape to be properly applied (see EIA Standard 481, paragraph 4.3, section b).
- B<sub>1</sub> dimension is a reference dimension for tape feeder clearance only.
- The cavity defined by A<sub>0</sub>, B<sub>0</sub> and K<sub>0</sub> shall surround the component with sufficient clearance that:
  - the component does not protrude above the top surface of the carrier tape.
  - the component can be removed from the cavity in a vertical direction without mechanical restriction, after the top cover tape has been removed.
  - rotation of the component is limited to 20° maximum for 8 and 12 mm tapes and 10° maximum for 16 mm tapes (see Figure 3).
  - lateral movement of the component is restricted to 0.5 mm maximum for 8 mm and 12 mm wide tape and to 1.0 mm maximum for 16 mm tape (see Figure 4).
  - see Addendum in EIA Standard 481 for standards relating to more precise taping requirements.

## Packaging Information Performance Notes

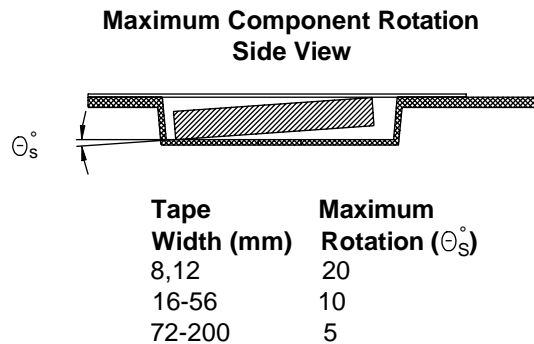
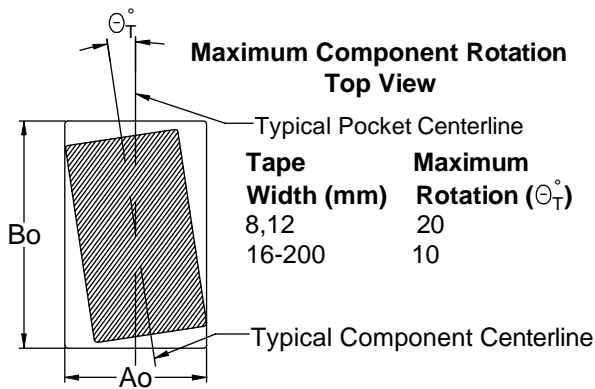
- Cover Tape Break Force:** 1.0 Kg minimum.
- Cover Tape Peel Strength:** The total peel strength of the cover tape from the carrier tape shall be:

Tape Width	Peel Strength
8 mm	0.1 to 1.0 Newton (10 to 100gf)
12 and 16 mm	0.1 to 1.3 Newton (10 to 130gf)

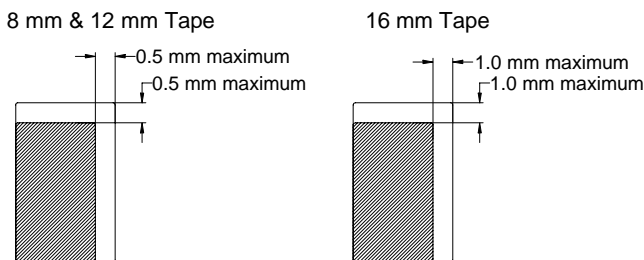
The direction of the pull shall be opposite the direction of the carrier tape travel. The pull angle of the carrier tape shall be 165° to 180° from the plane of the carrier tape. During peeling, the carrier and/or cover tape shall be pulled at a velocity of 300 ±10 mm/minute.

- Labeling:** Bar code labeling (standard or custom) shall be on the side of the reel opposite the sprocket holes. Refer to EIA Standards 556 and 624.

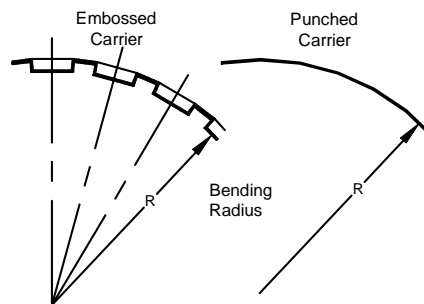
### Figure 2 – Maximum Component Rotation



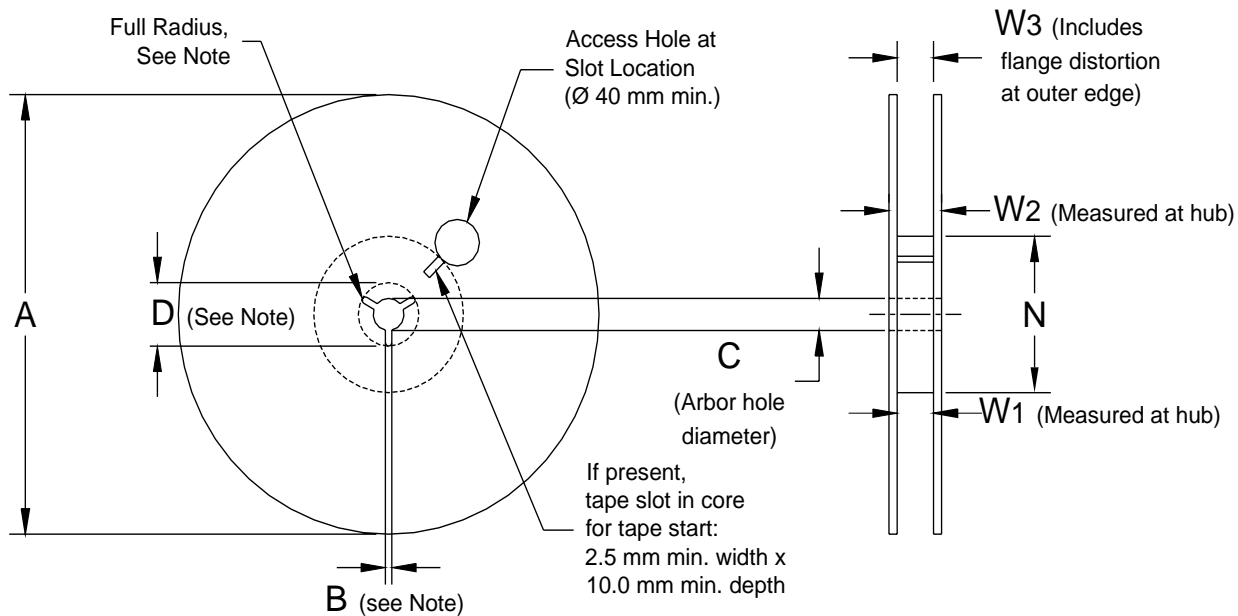
### Figure 3 – Maximum Lateral Movement



### Figure 4 – Bending Radius



**Figure 5 – Reel Dimensions**



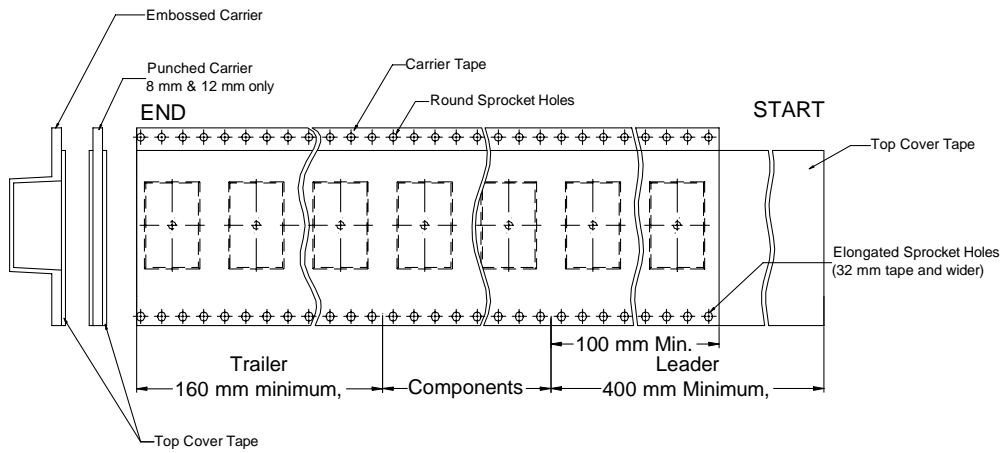
Note: Drive spokes optional; if used, dimensions B and D shall apply.

**Table 5 – Reel Dimensions**

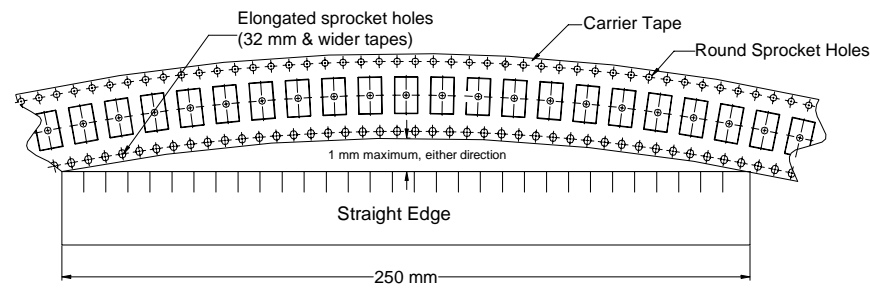
Metric will govern

Constant Dimensions — Millimeters (Inches)				
Tape Size	A	B Min	C	D Min
8 mm	178 ± 0.20 (7.008 ± 0.008)	1.5 (0.059)	13.0 +0.5/-0.2 (0.521 +0.02/-0.008)	20.2 (0.795)
12 mm	or			
16 mm	330 ± 0.20 (13.000 ± 0.008)			
Variable Dimensions — Millimeters (Inches)				
Tape Size	N Min	W <sub>1</sub>	W <sub>2</sub> Max	W <sub>3</sub>
8 mm	50 (1.969)	8.4 +1.5/-0.0 (0.331 +0.059/-0.0)	14.4 (0.567)	Shall accommodate tape width without interference
12 mm		12.4 +2.0/-0.0 (0.488 +0.078/-0.0)	18.4 (0.724)	
16 mm		16.4 +2.0/-0.0 (0.646 +0.078/-0.0)	22.4 (0.882)	

**Figure 6 – Tape Leader & Trailer Dimensions**



**Figure 7 – Maximum Camber**



## KEMET Corporation World Headquarters

2835 KEMET Way  
Simpsonville, SC 29681

Mailing Address:  
P.O. Box 5928  
Greenville, SC 29606

www.kemet.com  
Tel: 864-963-6300  
Fax: 864-963-6521

### Corporate Offices

Fort Lauderdale, FL  
Tel: 954-766-2800

## North America

### Southeast

Lake Mary, FL  
Tel: 407-855-8886

### Northeast

Wilmington, MA  
Tel: 978-658-1663

West Chester, PA  
Tel: 610-692-4642

### Central

Novi, MI  
Tel: 248-994-1030

Carmel, IN  
Tel: 317-706-6742

### West

Milpitas, CA  
Tel: 408-433-9950

### Mexico

Zapopan, Jalisco  
Tel: 52-33-3123-2141

## Europe

### Southern Europe

Geneva, Switzerland  
Tel: 41-22-715-0100

Paris, France  
Tel: 33-1-4646-1009

Sasso Marconi, Italy  
Tel: 39-051-939111

Milan, Italy  
Tel: 39-02-57518176

Rome, Italy  
Tel: 39-06-23231718

Madrid, Spain  
Tel: 34-91-804-4303

### Central Europe

Landsberg, Germany  
Tel: 49-8191-3350800

Dortmund, Germany  
Tel: 49-2307-3619672

Kwidzyn, Poland  
Tel: 48-55-279-7025

### Northern Europe

Bishop's Stortford, United Kingdom  
Tel: 44-1279-757201

Weymouth, United Kingdom  
Tel: 44-1305-830747

Coatbridge, Scotland  
Tel: 44-1236-434455

Färjestaden, Sweden  
Tel: 46-485-563934

Espoo, Finland  
Tel: 358-9-5406-5000

## Asia

### Northeast Asia

Hong Kong  
Tel: 852-2305-1168

Shenzhen, China  
Tel: 86-755-2518-1306

Beijing, China  
Tel: 86-10-5829-1711

Shanghai, China  
Tel: 86-21-6447-0707

Taipei, Taiwan  
Tel: 886-2-27528585

### Southeast Asia

Singapore  
Tel: 65-6586-1900

Penang, Malaysia  
Tel: 60-4-6430200

Bangalore, India  
Tel: 91-806-53-76817

*Note: KEMET reserves the right to modify minor details of internal and external construction at any time in the interest of product improvement. KEMET does not assume any responsibility for infringement that might result from the use of KEMET Capacitors in potential circuit designs. KEMET is a registered trademark of KEMET Electronics Corporation.*

## Other KEMET Resources

Tools	
Resource	Location
Configure A Part: CapEdge	<a href="http://capacitoredge.kemet.com">http://capacitoredge.kemet.com</a>
SPICE & FIT Software	<a href="http://www.kemet.com/spice">http://www.kemet.com/spice</a>
Search Our FAQs: KnowledgeEdge	<a href="http://www.kemet.com/keask">http://www.kemet.com/keask</a>

Product Information	
Resource	Location
Products	<a href="http://www.kemet.com/products">http://www.kemet.com/products</a>
Technical Resources (Including Soldering Techniques)	<a href="http://www.kemet.com/technicalpapers">http://www.kemet.com/technicalpapers</a>
RoHS Statement	<a href="http://www.kemet.com/rohs">http://www.kemet.com/rohs</a>
Quality Documents	<a href="http://www.kemet.com/qualitydocuments">http://www.kemet.com/qualitydocuments</a>

Product Request	
Resource	Location
Sample Request	<a href="http://www.kemet.com/sample">http://www.kemet.com/sample</a>
Engineering Kit Request	<a href="http://www.kemet.com/kits">http://www.kemet.com/kits</a>

Contact	
Resource	Location
Website	<a href="http://www.kemet.com">www.kemet.com</a>
Contact Us	<a href="http://www.kemet.com/contact">http://www.kemet.com/contact</a>
Investor Relations	<a href="http://www.kemet.com/ir">http://www.kemet.com/ir</a>
Call Us	1-877-MyKEMET
Twitter	<a href="http://twitter.com/kemetcapacitors">http://twitter.com/kemetcapacitors</a>

## Disclaimer

All product specifications, statements, information and data (collectively, the "Information") are subject to change without notice.

All Information given herein is believed to be accurate and reliable, but is presented without guarantee, warranty, or responsibility of any kind, expressed or implied.

Statements of suitability for certain applications are based on our knowledge of typical operating conditions for such applications, but are not intended to constitute – and we specifically disclaim – any warranty concerning suitability for a specific customer application or use. This Information is intended for use only by customers who have the requisite experience and capability to determine the correct products for their application. Any technical advice inferred from this Information or otherwise provided by us with reference to the use of our products is given gratis, and we assume no obligation or liability for the advice given or results obtained.

Although we design and manufacture our products to the most stringent quality and safety standards, given the current state of the art, isolated component failures may still occur. Accordingly, customer applications which require a high degree of reliability or safety should employ suitable designs or other safeguards (such as installation of protective circuitry or redundancies) in order to ensure that the failure of an electrical component does not result in a risk of personal injury or property damage.

Although all product-related warnings, cautions and notes must be observed, the customer should not assume that all safety measures are indicated or that other measures may not be required.

