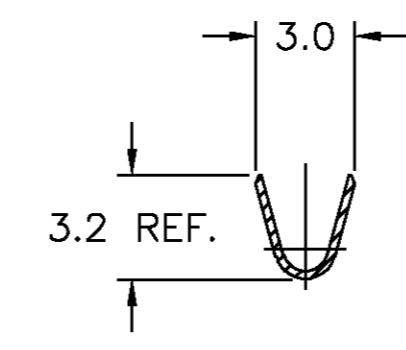
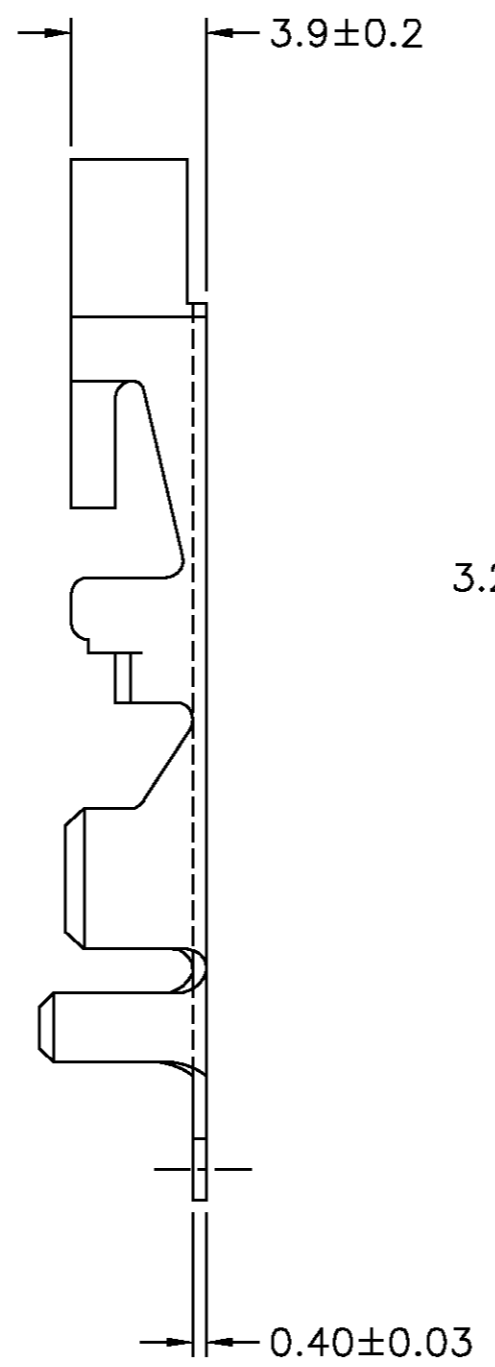
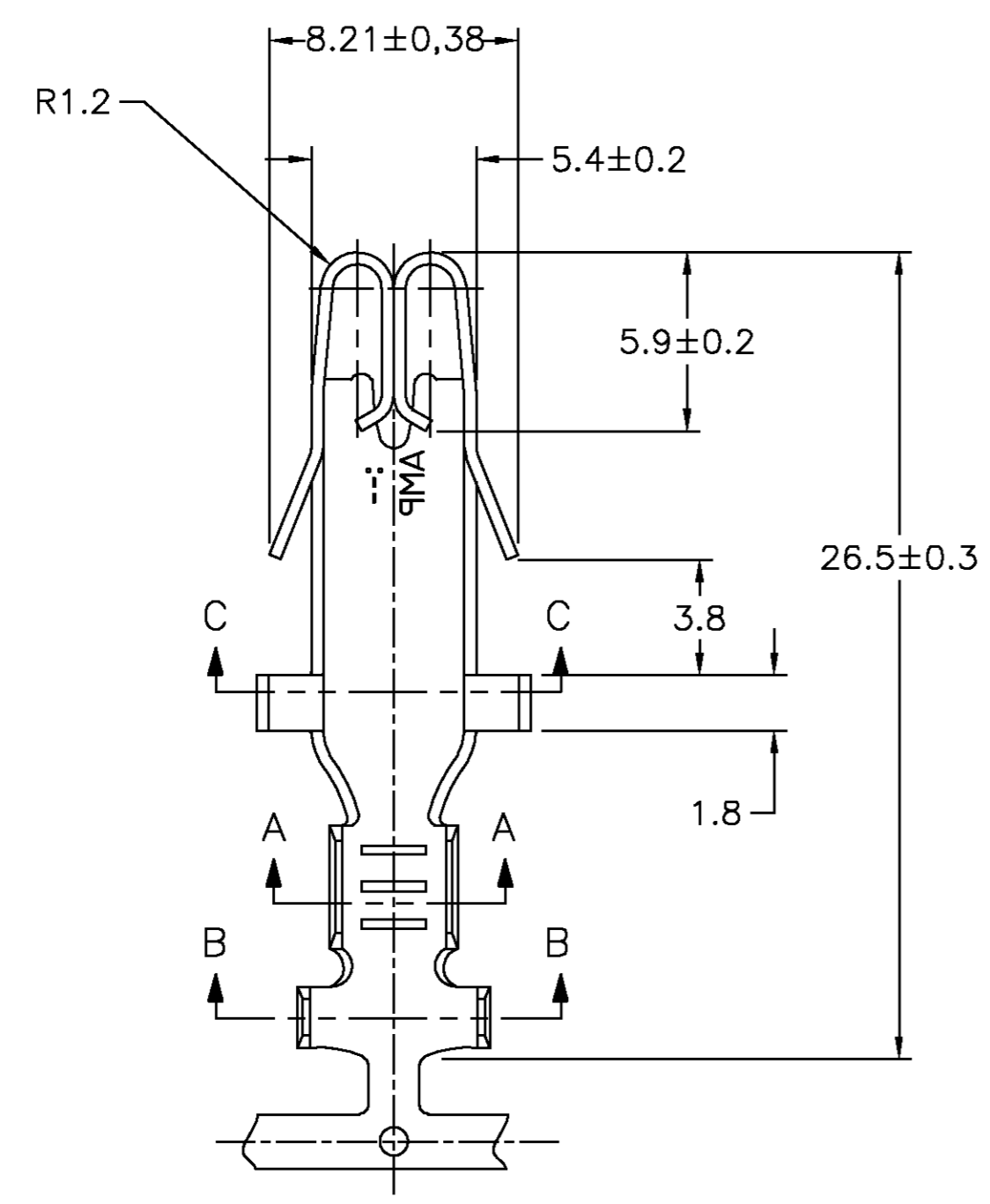


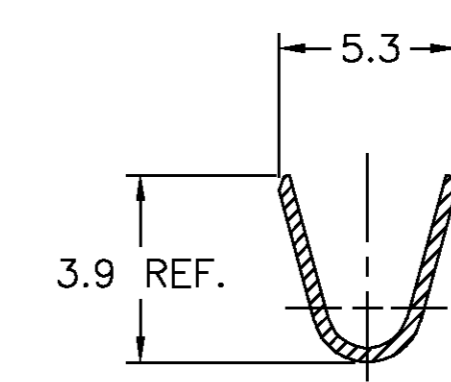
THIS DRAWING IS UNPUBLISHED. RELEASED FOR PUBLICATION
 BY AMP INCORPORATED. ALL RIGHTS RESERVED.

CAD
 DO NOT REVISE
 EXCEPT BY CAD

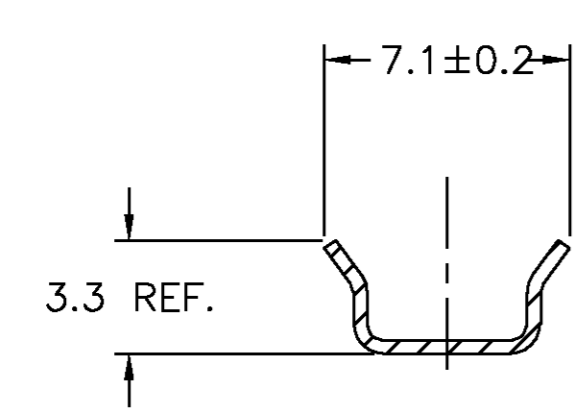
LOC	DIST	REVISIONS			
P	LTR	DESCRIPTION	DATE	DWN	APVD
AP	-	REVISADO			
L1		REVISED BY ECO-07-023413	18OCT07	NCL	MR



SECTION A-A



SECTION B-B



SECTION C-C

WIRE RANGE 0,5-1,5mm ²	PRE-ESTANHADO/PRE TINNED	LATÃO/BRASS	880397-2
INSUL. RANGE Ø2,0-3,0mm	OTHER TREATMENT	LATÃO/BRASS	880397-1
THIS DRAWING IS A CONTROLLED DOCUMENT.		FINISH	MATERIAL
DIMENSIONS: MM	TOLERANCES UNLESS OTHERWISE SPECIFIED:	NAME	
0 PLC ± -	1 PLC ± 0,5	AMP do BRASIL Ltda.	
2 PLC ± -	3 PLC ± -	São Paulo - Brasil	
4 PLC ± -	ANGLES ± 1°	FUSE CONTACT	
MATERIAL SEE TABLE	FINISH SEE TABLE	WEIGHT	RESTRICTED TO
CUSTOMER DRAWING		SIZE A2	CAGE CODE 00779
		DRAWING NO. C=880397	SCALE 2:1
		SHEET 1 OF 1	REV L1

880397