

2009/10



Connection technology



## Editorial



**Dear Customers,  
Dear Business Partners,**

with this catalogue we would like to invite you to explore the multi-faceted world of modern electronic installation devices. There is so much waiting to be discovered. But regardless of which product you choose, with ABL SURSUM you are choosing TRADITION and QUALITY, INNOVATION and EMOTION.

We are a traditional family-owned company and are filled with pride that, more than 80 years after the invention of the SCHUKO system, we are able to offer you one of the most extensive ranges of products in the area of electrical installation technology in a time of rapid change and accelerating globalisation.

Quality is the decisive factor for us. With proven materials, first-class workmanship and the highest quality standards, ABL SURSUM products are ideal for use in industry and small trade.





Only those who are open to change will be successful in the future. This guiding principle is what motivates us daily to make sure that we always use state-of-the-art technology, do not remain still, and continuously develop products innovatively for our customers with the most modern means available.




At ABL SURSUM, emotion is the enthusiasm for successful products. That is why we always work closely with our customers and can meet their specific requirements and offer individual solutions as quickly as possible. Our excellent service is always at your side, ready to provide support.

Sincerely

Dr. Stefan Schlutius  
CEO

SCHUKO Plug connections, 2-pole + ⊕, 16 A 250 V			Page
1116110	<b>Plug</b> Thermoplastic, white		18
1107110	<b>Angle plug</b> Thermoplastic, white		18
1176110	<b>Connector</b> Thermoplastic, white		18
1418060	<b>Plug</b> PVC, grey two earthing systems acc. to CEE 7/VII		19
1679060	<b>Connector</b> PVC, grey		19
1419190	<b>Rubber plug</b> IP44, black, two earthing systems acc. to CEE 7/VII for connection of cables up to 3 x 1.5 mm <sup>2</sup>		20
1479090	<b>Rubber connector</b> for connection of cables up to 3 x 1.5 mm <sup>2</sup>		20
1429190	<b>Solid rubber plug</b> IP44, black, for connection of cables up to 3 x 1.5 mm <sup>2</sup>		20
1489090	<b>Solid rubber connector</b> for connection of cables up to 3 x 1.5 mm <sup>2</sup>		20
1149190	<b>Rubber plug</b> IP44, black, two earthing systems acc. to CEE 7/VII for connection of cables up to 3 x 2.5 mm <sup>2</sup>		21
1199290	<b>Rubber connector</b> IP44, black, with collar/cover for connection of cables up to 3 x 2.5 mm <sup>2</sup>		21
1149290	<b>Solid rubber plug</b> IP44, black, two earthing systems acc. to CEE 7/VII for connection of cables up to 3 x 2.5 mm <sup>2</sup>		21
1169290	<b>Solid rubber connector</b> IP44, black, with collar/cover for connection of cables up to 3 x 2.5 mm <sup>2</sup>		21
1129190	<b>Solid rubber plug with metal quick release</b> IP44, black, two earthing systems acc. to CEE 7/VII for connection of cables up to 3 x 2.5 mm <sup>2</sup>		21
1189290	<b>Solid rubber connector with metal quick release</b> IP44, black, with collar/cover for connection of cables up to 3 x 2.5 mm <sup>2</sup>		21
1173293	<b>Three-way solid rubber connector with self-closing hinged cover and voltage display</b> IP54 ⚡, for connection of cables up to 3 x 2.5 mm <sup>2</sup>		22

SCHUKO Socket outlets			Page
<b>1461050</b>	<b>Socket outlet</b> Thermoplastic, blue with screw terminals, flange mounting, IP54 		<b>32</b>
<b>1632ESM</b>	<b>Cover with hinged lid</b> for exclusive socket outlets 112 x 112 mm made of cast-aluminium-bronze, IP41		<b>45</b>
<b>1632MSM</b>	Stainless steel, matt		
<b>1632PLM</b>	Brass, matt		
<b>1632AUM</b>	Platinum, matt		
<b>1632AUM</b>	Gold, matt		
<b>1632500</b>	<b>Base</b> for exclusive floor-mounted socket outlets, 112 x 112 mm Thermoplastic		<b>45</b>
<b>1632602</b>	<b>Housing Base</b> for exclusive floor-mounted socket outlets, 112 x 112 mm Thermoplastic, with double SCHUKO socket outlet		<b>45</b>

Outlet boxes			Page
<b>2504210</b>	<b>Outlet box</b> Thermoplastic For flush mounting and surface mounting Claw bracket can be snapped out Cover with snap lock Screwless terminals: 5 x 2.5 mm <sup>2</sup>		<b>53</b>
<b>2505210</b>	<b>Outlet box</b> Thermoplastic For flush mounting and surface mounting Claw bracket can be snapped out Cover with snap lock Terminals: 5 x 6 mm <sup>2</sup>		<b>54</b>
<b>2506110</b>	<b>Outlet box</b> Thermoplastic For flush mounting <b>flat version – only 11 mm</b> Cover with snap lock Terminals: 5 x 2.5 mm <sup>2</sup>		<b>55</b>

## Your direct line to us



**We see service as a top priority - and our customers realise and appreciate it!**

**Every order contains special requirements, requires competent advice, needs efficient, cost-effective solutions and, of course, must be fast.**

**Those are exactly the strengths of ABL SURSUM:**

- open to the technical problems and individual requirements of our customers
- proximity to customers and flexibility in working out individual solutions
- advice and problem analysis with the excellent technical qualifications of our employees
- fast offer and order processing
- high degree of vertical integration in-house
- need-based warehouse storage – that means that for you as a customer: short delivery times for all standard products
- high degree of on-time delivery using a finely-meshed distribution network and modern logistics



### **Sales Service Germany**

Telephone: +49 (0)9123/188-240, -182, -178, -135

### **Sales Service Abroad**

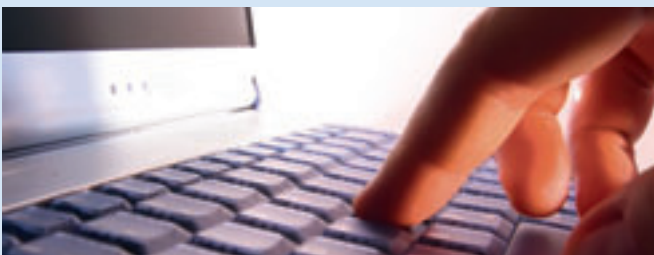
Telephone: +49 (0)9123/188-237, -197, -136, -116

### **Technical Service**

Telephone: +49 (0)9123/188-164, -126, -148

**Fax: +49 (0)9123/188-188, -189**

**E-mail: [info@abl-sursum.com](mailto:info@abl-sursum.com)**



**Detailed information can be found at:**

**[www.abl-sursum.com](http://www.abl-sursum.com)**

---

## Table of contents

Brief overview of top sellers	Page	04
ABL SURSUM – the company	Page	08
Our representatives worldwide	Page	12
On the save side – the SCHUKO system	Page	14
SCHUKO plug connections		
- Plugs and connectors		
Thermoplastic and PVC	Page	18
- Rubber and solid rubber	Page	20
- Rubber and solid rubber (Belgian/French earth)	Page	23
- Socket outlets, surface-mounted	Page	24
- Infeed plugs	Page	25
- pressurised-water-impermeable IP68	Page	26
Socket outlets for every purpose	Page	28
Socket outlets		
- SCHUKO IP54	Page	31
- Belgian/French earth, IP54	Page	34
- International	Page	36
Accessories for socket outlets	Page	38
SCHUKO socket outlets	Page	39
Socket outlets (Belgian/French earth)	Page	41
Exclusive floor-mounted socket outlets	Page	42
Floor-mounted socket outlets, aluminium die-cast	Page	46
PERILEX plug connections	Page	50
Outlet boxes	Page	52
International plug connections		
- Swiss system	Page	57
- Adapters	Page	59
- Australian system	Page	60
- without earthing system	Page	61
Industrial Ethernet plug connections	Page	62
ABL SURSUM – the product range	Page	66
Article number directory	Page	72

## From conception to delivery

We are oriented towards the requirements of the national and international markets and the desires of our customers which we approach passionately with a wealth of ideas, engineering skills and the power of innovation.



**Location:**  
**Innovative products from Lauf**

With a wide range of more than 7,000 products, the traditional Franconian company ABL SURSUM delivers to markets all around the world.



**Development:  
Everything in-house**

Every new product begins with an idea. In order to implement it, a lot of experience and the right tools are needed. That is why development at ABL SURSUM is not only carried out with the most modern CAD software available, but also in constant dialogue with customers. Because it is only with exact knowledge of products and markets that one can create innovative, need-based products.

**Tool and equipment manufacture:  
Focus on quality**

The quality of a production starts with the right production facilities. That is why ABL SURSUM builds and maintains its own custom plastic and metal machining tools. At the same time, a large proportion of the machines and equipment are constructed in our own equipment manufacturing facilities. Because if you plan and build something yourself, you can maintain it optimally, adjust it to meet new challenges and constantly develop it further.





**Vertical integration:**

**Greatest perfection down to the smallest detail**

Even the smallest detail can be decisive in determining the perfection of the whole. The extensive vertical integration of ABL SURSUM guarantees the highest quality and dimensional accuracy over a product's entire life cycle. An Acquisition Management perfectly harmonised with Production allows materials to be available on time without interruption of work flow.

**Final assembly:**

**Combining know-how and technology**

Experienced, qualified employees and a high level of automation enable on-time production, while maintaining a consistently high level of quality. Because only high-quality products are convincing in the long term.





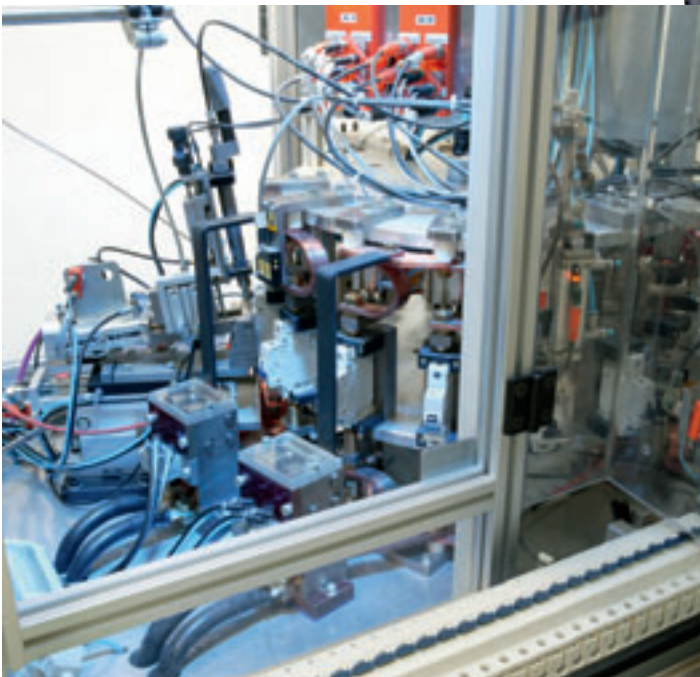
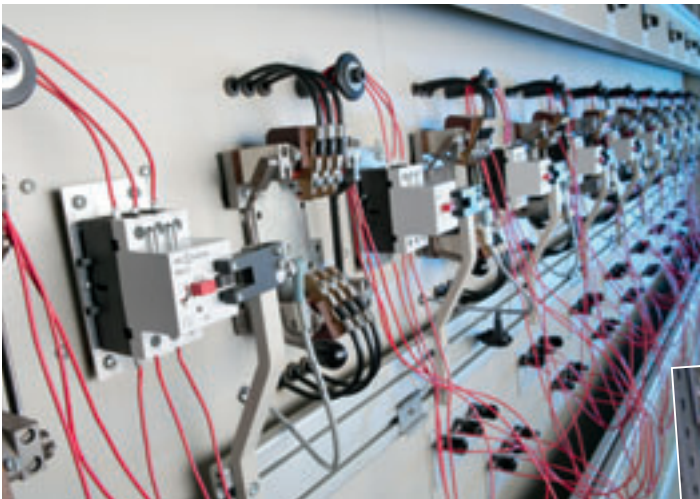
**Quality control:  
No compromises**

Permanent quality monitoring with the assistance of the most up-to-date inspection procedures is a matter of course at ABL SURSUM. That is why there are no compromises when it comes to monitoring ongoing production and the final inspections.

ABL SURSUM is also certified according to DIN ISO 9001.

**Logistics:  
Service begins with delivery**

In this day and age of tighter and tighter schedules, a well-organised distribution network and modern logistics ensure on-time delivery to both domestic and foreign markets. This ensures that ABL SURSUM with an export rate of over 50%, can deliver daily on-time to numerous customers all over the world.



## We are available for you – wherever you are

### International representatives:

Egypt	Mexico
Argentina	New Zealand
Azerbaijan	Russia
Bolivia	Singapore
Bosnia Herzegovina	South Africa
Chile	Taiwan
China	Thailand
Georgia	Ukraine
India	USA
Iceland	Venezuela
Canada	United Arab Emirates
Croatia	Vietnam
Morocco	Belarus





**Representatives throughout Europe:**

Belgium	Netherlands
Denmark	Norway
Estonia	Austria
Finland	Poland
France	Portugal
Greece	Romania
Great Britain	Sweden
Ireland	Switzerland
Italy	Slovakia
Latvia	Spain
Lithuania	Czech Republic
Luxemburg	Hungary



**Our agents in Germany**



- 1**  
**Wilhelm K. Junge**  
 Inh. Klaus Kuhlmann  
 Papenreye 63  
**22453 Hamburg**  
 Telefon: 0 40/5 53 71 65  
 Telefax: 0 40/5 53 71 80  
 E-Mail: wkjunge@aol.com
- 2**  
**Elektrotechnische  
 Handelsvertretung  
 Steffen Klewe**  
 Angermünder Str. 1 d  
**12305 Berlin**  
 Telefon: 0 30/72 01 60 19  
 Telefax: 0 30/72 01 60 21  
 E-Mail: info@handelsvertretung-klewe.de  
 Internet: www.handelsvertretung-klewe.de
- 3**  
**Geisthardt GmbH**  
 Gewerbepark 8  
**26209 Hatten-Munderloh**  
 Telefon: 0 44 82/92 88-12, -13  
 Telefax: 0 44 82/92 88-99  
 E-Mail: matthias@geisthardt.de  
 Internet: www.geisthardt.de
- 4**  
**Frank Birr**  
 Kurzer Weg 2  
**39291 Lostau**  
 Telefon/Telefax: 039 222 / 67 336  
 Mobil: 0172/3 51 88 44  
 E-Mail: frank.birr@abl-sursum.com

- 5/6**  
**SCHARDT oHG**  
 Elektro-System-Technik  
 Bunsenstr. 10  
**42551 Velbert**  
 Telefon: 0 20 51/28 06-0  
 Telefax: 0 20 51/28 06-29  
 E-Mail: info@schardtohg.de  
 Internet: www.schardtohg.de
- 7**  
**Rainer Erk**  
 Werner v. Siemens Straße 6a  
**63486 Bruchköbel**  
 Telefon: 0 61 81/70 96 53  
 Telefax: 0 61 81/78 00 20  
 E-Mail: RainerErk@t-online.de
- 8**  
**Steffen Aehnelt**  
 Seminarstr. 28  
**06618 Naumburg**  
 Telefon: 0 34 45/23 73 96  
 Telefax: 0 34 45/23 73 99  
 Mobil: 0172/8 50 98 57  
 E-Mail: steffen.aehnelt@abl-sursum.com
- 9**  
**ABL SURSUM**  
 Bayerische Elektrozubehör GmbH  
 & Co. KG  
 Ottensooser Straße 22  
**91207 Lauf/Pegnitz**  
 Telefon: 0 91 23/1 88 -0  
 Telefax: 0 91 23/1 88 -188, -189  
 E-Mail: info@abl-sursum.com  
 Internet: www.abl-sursum.com

- 10**  
**Julius Vogt GmbH**  
 Am Wasserturm 4  
**66265 Heusweiler-Holz**  
 Telefon: 0 68 06/98 58-0  
 Telefax: 0 68 06/80 01 90  
 E-Mail: info@vogt-online.de
- 11**  
**Roland Gohl GmbH**  
 Bachstraße 13  
**72669 Unterensingen**  
 Telefon: 0 70 22/24 45 45  
 Telefax: 0 70 22/24 45 40  
 E-Mail: info@gohlgmbh.de  
 Internet: www.gohlgmbh.de
- 12**  
**Industrievertretung  
 Jana Clauß**  
 Klingbauerweg 1  
**85123 Karlskron**  
 Telefon: 0 84 50/92 55 00  
 Telefax: 0 84 50/92 55 01  
 E-Mail: jana.clauss@gmx.net



---

## On the safe side – the SCHUKO system

**A passion for invention and a spirit of innovation have always been vital for innovative products.**

ABL received its patent for the implementation of the SCHUKO system in 1926 and has been a leading manufacturer ever since. It is one of the safest plug systems distinguished not only by its leading protective contacts but also by its finger safety, superior mechanical hold and excellent resilience – making it an extremely safe system.

We offer you an extensive, one-of-a-kind range for all possible applications, which surprises even specialists over and over again. As the inventor of this connection technology, it is very important to us that the application technology and quality of our products is continuously developed and improved. Safety, especially, is emphasised – after all, SCHUKO plug connections are by far the most common components around the world – and shall remain so.

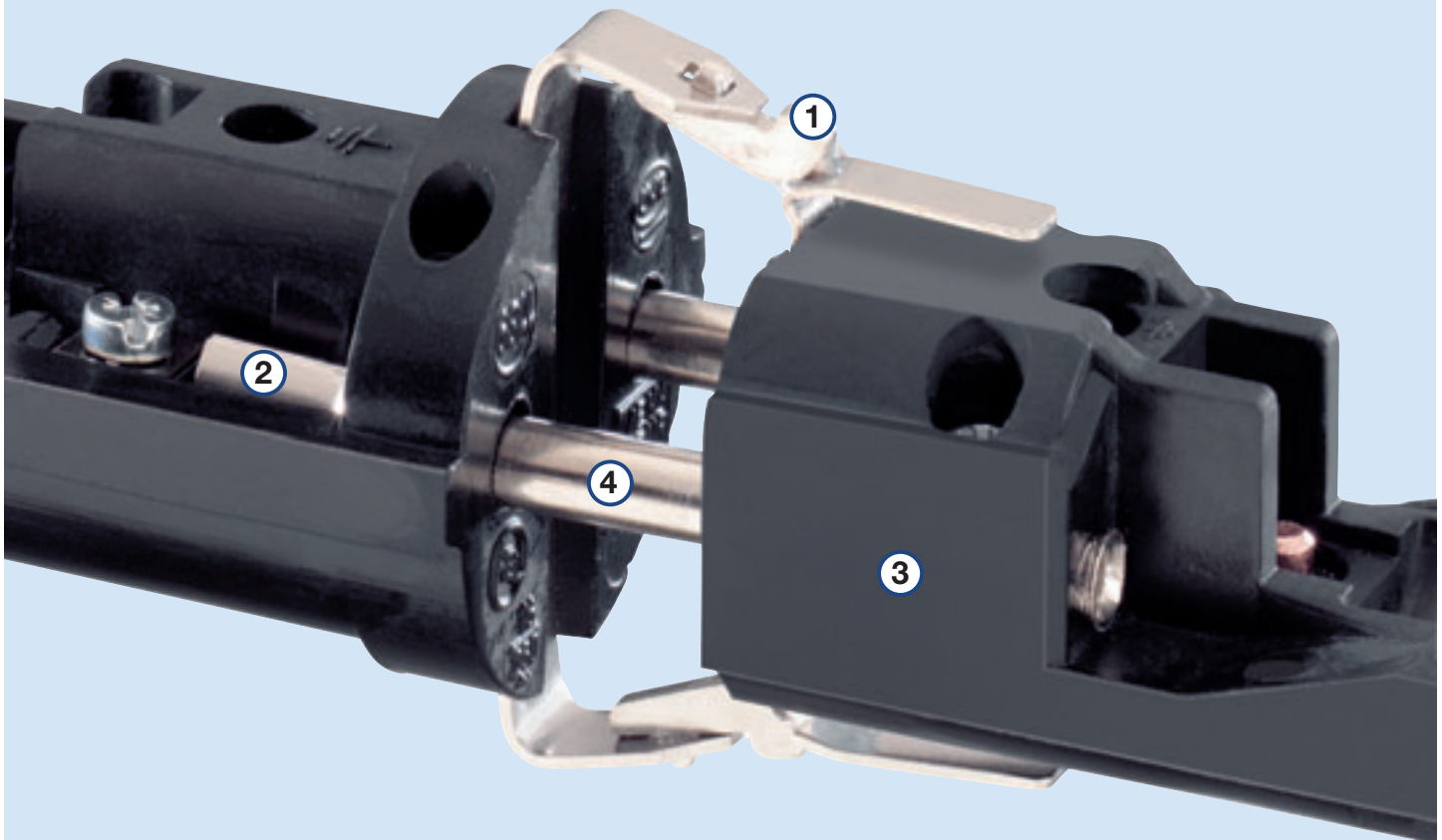
**Safely and securely!**



The most important technical advantages of the rubber and solid rubber plug connections from ABL SURSUM

**1 Massive loop contact**  
 Advantage: 20% higher mechanical endurance

**2 Spring force of the connector sockets 15% above the standard**  
 Advantage: Higher mechanical endurance also in limit load range



**Degree of protection IP44 splash-proof**  
 Advantage: Approved for construction sites



**3 100% rubber**  
 Advantage: Higher robustness

**4 Smooth surface of the pins**  
 Advantage: Easy plugging and secure connection

**There's nothing faster!**

The practical quick release:  
 Only 1/4 turn of the locking screw and the plug is securely closed.



**The practical solution for different earthing systems:**

Plug with two earthing systems – Earthing acc. to DIN 49440/441 (SCHUKO) and CEE 7/VII (Belgian/ French earth)



**Solid rubber plug**  
 Article no. 1129190



**High level of safety!**

Due to an integrated voltage display you immediately see at a glance if the connector is connected to the mains supply.

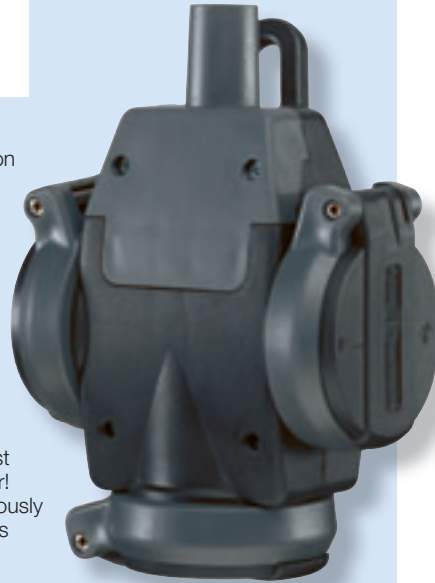


**Saves time when connecting!**

The cover for the cable connection can be opened with only two screws.

**Three-way solid-rubber connector with self-closing hinged cover and voltage display**

Article no. 1173293



**Self-closing hinged cover**

Lost covers are a thing of the past with the self-closing hinged-cover! The connector remains autonomously closed (the degree of protection is preserved).

**SCHUKO plug connection – also for severe conditions**

For the highest possible level of safety when using electrical equipment in rough operation on construction sites, in trade and industrial applications, the mutual indemnity associations require the use of plug connections with the „hammer symbol“. The device standardisation defines additional structural requirements for plug connections for use under severe conditions like e.g. a higher mechanical load capacity, a higher degree of being water-proof and the connection possibility for heavy rubber hoses.



**The designation of our SCHUKO plug connections with the standards symbol „hammer symbol“ stands as a guarantee for meeting these high requirements!**

**Pressurised-water-impermeable plug connections in IP68 were developed for especially rugged applications and are listed at NATO, THW (German Federal Agency for Technical Relief), German Federal Armed Forces, Fire Brigade etc.**





**Plug**  
Thermoplastic

Colour	Article no.	Weight g/each	Pack. unit
black	<b>1116100</b>	27	50
white	<b>1116110</b>	27	50



**Angle plug**  
Thermoplastic with two earthing systems acc. to CEE 7/VII

Colour	Article no.	Weight g/each	Pack. unit
black	<b>1400390</b>	35	20
white	<b>1400380</b>	35	20



**Angle plug**  
Thermoplastic

Colour	Article no.	Weight g/each	Pack. unit
black	<b>1107100</b>	34	50
white	<b>1107110</b>	34	50



**Tulip plug**  
Thermoplastic screwless cap mounting

Colour	Article no.	Weight g/each	Pack. unit
white	<b>1105010</b>	40	20



**Connector**  
Thermoplastic

Colour	Article no.	Weight g/each	Pack. unit
black	<b>1176100</b>	31	20
white	<b>1176110</b>	31	20



**Angle plug**  
with power switch 16 A~ Thermoplastic with two earthing systems acc. to CEE 7/VII

Colour	Article no.	Weight g/each	Pack. unit
white	<b>1001075</b>	72	10



**Adapter**  
Thermoplastic fibre glass reinforced contact support, plug side with two earthing systems acc. to CEE 7/VII

Colour	Article no.	Weight g/each	Pack. unit
black	<b>1115000</b>	76	100
white	<b>1115010</b>	76	100



**Adapter**  
Thermoplastic fibre glass reinforced contact support, plug side with two earthing systems acc. to CEE 7/VII socket outlet side with earthing system acc. to CEE 7/V

Colour	Article no.	Weight g/each	Pack. unit
black	<b>1115007</b>	74	10
white	<b>1115017</b>	74	10



**Series connector**  
Thermoplastic with two strain relieves

Colour	Article no.	Weight g/each	Pack. unit
black	<b>1175000</b>	70	20



**Plug**  
PVC  
with two earthing systems  
acc. to CEE 7/VII

Colour	Article no.	Weight g/each	Pack. unit
grey	1418060	40	20
white	1418080	40	20
yellow	1418050	40	20
black	1418000	40	20



**Connector**  
PVC

Colour	Article no.	Weight g/each	Pack. unit
grey	1679060	83	10
white	1679080	83	10
yellow	1679050	83	10
black	1679000	83	10



**Plug**  
PVC  
splash-proof IP44  
with two earthing systems  
acc. to CEE 7/VII

Colour	Article no.	Weight g/each	Pack. unit
yellow	1428150	56	20



**Connector**  
PVC

Colour	Article no.	Weight g/each	Pack. unit
yellow	1478050	92	10



**Plug**  
PVC  
splash-proof IP44  
with two earthing systems  
acc. to CEE 7/VII

Colour	Article no.	Weight g/each	Pack. unit
grey	1428160	56	20
white	1428180	56	20



**Connector**  
PVC

Colour	Article no.	Weight g/each	Pack. unit
grey	1478060	92	10
white	1478080	92	10



**Angle connector with socket outlet**  
Thermoplastic  
up to 3 x 2.5 mm<sup>2</sup>

Colour	Article no.	Weight g/each	Pack. unit
blue	1172050	144	10

## SCHUKO Rubber plug connections

2-pole +  $\oplus$ , 16 A 250 V, acc. to DIN 49440/441  
For connection of cables up to 3 x 1.5 mm<sup>2</sup>



### Rubber plug

with two earthing systems  
acc. to CEE 7/VII  
splash-proof IP44

Colour	Article no.	Weight g/each	Pack. unit
black	1419190	64	20
orange	1419170	64	20
red	1419140	64	20



### Rubber connector

Colour	Article no.	Weight g/each	Pack. unit
black	1479090	117	10
orange	1479070	117	10
red	1479040	117	10



### Rubber connector

with collar and cover  
splash-proof IP44

Colour	Article no.	Weight g/each	Pack. unit
black	1479290	142	10



Hinged lid  
8987296 \*

Collar  
with cover  
8975609

### Collar with cover or hinged lid \*

Can be retrofitted for simple connectors 2.5 mm<sup>2</sup>, black splash-proof IP44  $\diamond$

\* hinged lid suitable for article no. 1199090, 1169090 and 1189090

Colour	Article no.	Weight g/each	Pack. unit
black	8975609	25	1
black	8987296	25	1

## SCHUKO Solid rubber plugs

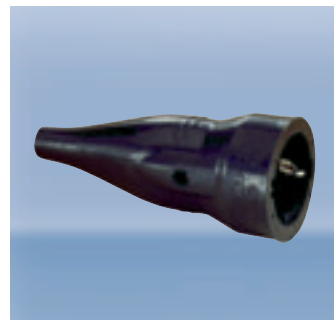
2-pole +  $\oplus$ , 16 A 250 V, acc. to DIN 49440/441  
For connection of cables up to 3 x 1.5 mm<sup>2</sup>



### Solid rubber plug

splash-proof IP44

Colour	Article no.	Weight g/each	Pack. unit
black	1429190	72	20



### Solid rubber connector

Colour	Article no.	Weight g/each	Pack. unit
black	1489090	125	10



### Solid rubber plug

with two earthing systems  
acc. to CEE 7/VII  
splash-proof IP44

Colour	Article no.	Weight g/each	Pack. unit
black	1439190	105	20

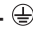


### Solid rubber connector

with collar and cover  
splash-proof IP44


Colour	Article no.	Weight g/each	Pack. unit
black	1489290	150	10

## SCHUKO Rubber plug connections

2-pole + , 16 A 250 V, acc. to DIN 49440/441  
For connection of cables up to 3 x 2.5 mm<sup>2</sup>




### Rubber plug

with two earthing systems  
acc. to CEE 7/VII  
splash-proof IP44 

Colour	Article no.	Weight g/each	Pack. unit
black	<b>1149190</b>	86	20




### Rubber connector

without collar/cover 1199090  
(can also be retrofitted with hinged lid article no. 8987296)  
with collar/cover 1199290  
splash-proof IP44 


Colour	Article no.	Weight g/each	Pack. unit
black	<b>1199090</b>	104	10
black	<b>1199290</b>	137	10

## SCHUKO Solid rubber plugs

2-pole + , 16 A 250 V, acc. to DIN 49440/441  
For connection of cables up to 3 x 2.5 mm<sup>2</sup>




### Solid rubber plug

with two earthing systems  
acc. to CEE 7/VII  
splash-proof IP44 

Colour	Article no.	Weight g/each	Pack. unit
black	<b>1149290</b>	99	20




### Solid rubber connector

without collar/cover 1169090  
(can also be retrofitted with hinged lid article no. 8987296)  
with collar/cover 1169290  
splash-proof IP44 

Colour	Article no.	Weight g/each	Pack. unit
black	<b>1169090</b>	119	10
black	<b>1169290</b>	175	10




### Solid rubber plug with metal quick release

with two earthing systems  
acc. to CEE 7/VII  
splash-proof IP44 

Colour	Article no.	Weight g/each	Pack. unit
black	<b>1129190</b>	106	20




### Solid rubber connector with metal quick release

without collar/cover 1189090  
(can also be retrofitted with hinged lid article no. 8987296)  
with collar/cover 1189290  
splash-proof IP44 

Colour	Article no.	Weight g/each	Pack. unit
black	<b>1189090</b>	137	10
black	<b>1189290</b>	175	10



### Solid rubber plug severe design

with two earthing systems  
acc. to CEE 7/VII  
splash-proof IP44 

Colour	Article no.	Weight g/each	Pack. unit
black	<b>1449190</b>	136	10



### Solid rubber connector for severe conditions

without collar/cover 1499090  
with collar/cover 1499290  
splash-proof IP44 

Colour	Article no.	Weight g/each	Pack. unit
black	<b>1499090</b>	150	10
black	<b>1499290</b>	189	10

## SCHUKO Three-way solid rubber connector

2-pole + ⊕, 16 A 250 V, acc. to DIN 49440/441  
For connection of cables up to 3 x 2.5 mm<sup>2</sup>



**Three-way solid rubber connector**

Colour	Article no.	Weight g/each	Pack. unit
black	1473190	368	5



**Three-way solid rubber connector with self-closing hinged cover and voltage display**  
splash-proof IP54 

Colour	Article no.	Weight g/each	Pack. unit
black	1173293	486	5





Article no. 1173293

- Higher level of safety: Integrated voltage display
- Working time saving: only two screws to open the connection area
- Lost covers are a thing of the past with the self-closing hinged cover
- Durable, clean locking and retention of protection class when plugged and unplugged.

## SCHUKO plug connections

for flat ribbon cables



**Rubber plug**  
for flat ribbon cables  
splash-proof IP44

Colour	Article no.	Weight g/each	Pack. unit
black	1406090	68	20



**Hanging**  
made of fibre glass reinforced Thermoplastic can be used as final means of hanging up and intermediate means of hanging up for flat ribbon cables

Colour	Article no.	Weight g/each	Pack. unit
black	1416090	35	10



**Solid rubber plug**  
for flat ribbon cables  
splash-proof IP44 

Colour	Article no.	Weight g/each	Pack. unit
black	1405090	105	20



**Solid rubber means of hanging up**  
for flat ribbon cables

Colour	Article no.	Weight g/each	Pack. unit
black	1415090	80	10

## Rubber plug connections

with earthing system acc. to CEE 7/V  
(Belgian/French earth)



### Rubber connector

3 x 1.5 mm<sup>2</sup>  
with earthing system acc. to CEE 7/V

without collar/cover 1479091  
with collar/cover, IP44 1479291

Colour	Article no.	Weight g/each	Pack. unit
black	1479091	117	10
black	1479291	166	10



### Three-way solid rubber connector

3 x 2.5 mm<sup>2</sup>  
with earthing system acc. to CEE 7/V

Colour	Article no.	Weight g/each	Pack. unit
black	1473092	368	5



### Rubber connector with higher protection cover

3 x 1.5 mm<sup>2</sup>  
with earthing system acc. to CEE 7/V  
without collar/cover 1479092  
with collar/cover, IP44 1479292

Colour	Article no.	Weight g/each	Pack. unit
black	1479092	117	10
black	1479292	166	10



### Three-way solid rubber connector

3 x 2.5 mm<sup>2</sup>  
with earthing system acc. to CEE 7/V  
IP44 1473292

with higher protection cover 1473592

Colour	Article no.	Weight g/each	Pack. unit
black	1473292	486	5
black	1473592	489	5



### Rubber connector with higher protection cover

3 x 2.5 mm<sup>2</sup>  
with earthing system acc. to CEE 7/V  
without collar/cover 1199392  
with collar/cover, IP44 1199592

Colour	Article no.	Weight g/each	Pack. unit
black	1199392	122	10
black	1199592	170	10



### Three-way solid rubber connector with self-closing hinged cover and higher protection cover

3 x 2.5 mm<sup>2</sup>  
with earthing system acc. to CEE 7/V  
IP44

Colour	Article no.	Weight g/each	Pack. unit
black	1473597	486	5



### Collar with cover

for rubber plug connectors  
with Belgian/French earth  
for upgrading for simple connectors  
splash-proof IP44

Colour	Article no.	Weight g/each	Pack. unit
black	8975629	25	1



### Connector with higher protection cover

3 x 1.5 mm<sup>2</sup>  
with earthing system  
acc. to CEE 7/V

Colour	Article no.	Weight g/each	Pack. unit
grey	1679062	83	10
white	1679082	83	10
black	1679002	83	10

## PVC plug connections

with earthing system acc. to CEE 7/V  
(Belgian/French earth)



**Surface-mounted socket outlet**

Colour	Article no.	Weight g/each	Pack. unit
white	<b>1491010</b>	79	10



**Surface-mounted double socket outlet**

Colour	Article no.	Weight g/each	Pack. unit
white	<b>1492010</b>	128	10



**Surface-mounted triple socket outlet**

Colour	Article no.	Weight g/each	Pack. unit
white	<b>1493010</b>	197	5



**Base plate**

flame-retardant for 1491010  
flame-retardant for 1492010  
flame-retardant for 1493010

Colour	Article no.	Weight g/each	Pack. unit
white	<b>1491008</b>	8	50
white	<b>1492008</b>	13	50
white	<b>1493008</b>	18	50



**Flush-mounted triple socket outlet** **1903010**  
suitable for a 58 switch box

**Triple table socket** **1902010**  
without input lead

Colour	Article no.	Weight g/each	Pack. unit
white	<b>1903010</b>	212	2
white	<b>1902010</b>	220	2



**Surface-mounted quadruple socket outlet**  
without base plate

base plate see art. no. 0004060

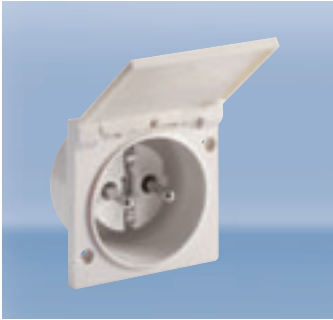
Colour	Article no.	Weight g/each	Pack. unit
white	<b>1694010</b>	214	5



**Quadruple table socket**

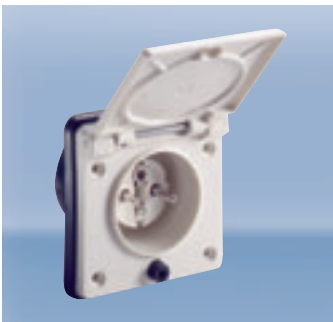
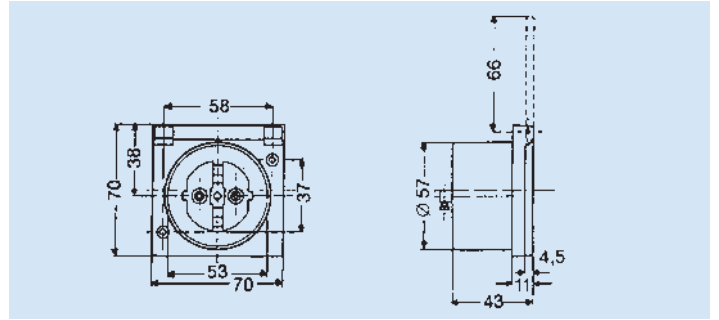
without input lead 1494110  
with input lead 1494210

Colour	Article no.	Weight g/each	Pack. unit
white	<b>1494110</b>	212	5
white	<b>1494210</b>	364	1/30



**Infeed plug**

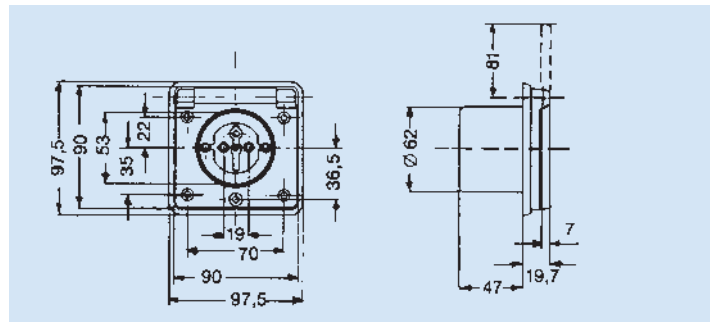
Colour	Article no.	Weight g/each	Pack. unit
white	<b>1650110</b>	86	10



**Infeed plug**

splash-proof IP44  
with two earthing systems  
acc. to CEE 7/II  
with rubber pot

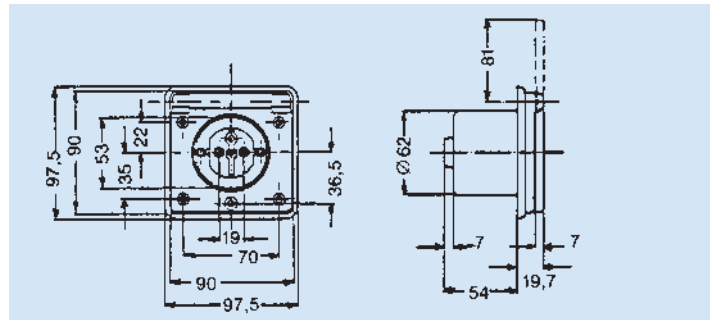
Colour	Article no.	Weight g/each	Pack. unit
white	<b>1653217</b>	230	10



**Infeed plug**

splash-proof IP44  
with two earthing systems  
acc. to CEE 7/II  
with rubber pot  
tried and proven (without microfuse)

Colour	Article no.	Weight g/each	Pack. unit
white	<b>1654217</b>	246	10

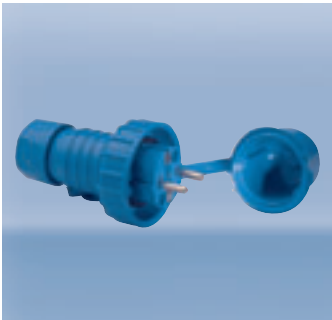


**Surface-mounted infeed plug**

Colour	Article no.	Weight g/each	Pack. unit
white	<b>1640110</b>	135	10

# Pressurised-water-impermeable SCHUKO plug connections

2-pole + ⊕, 16 A 250 V, acc. to DIN 49442/443  
Degree of protection IP68



**Plug with protective cap**

Colour	Article no.	Weight g/each	Pack. unit
blue	<b>1979850</b>	150	10



**Connector**

Colour	Article no.	Weight g/each	Pack. unit
blue	<b>1976850</b>	150	10



**Wall-mounted socket outlet**  
with 2 x M20 screw connection

Colour	Article no.	Weight g/each	Pack. unit
blue	<b>1977751</b>	180	10
blue	<b>1977951</b>	180	10



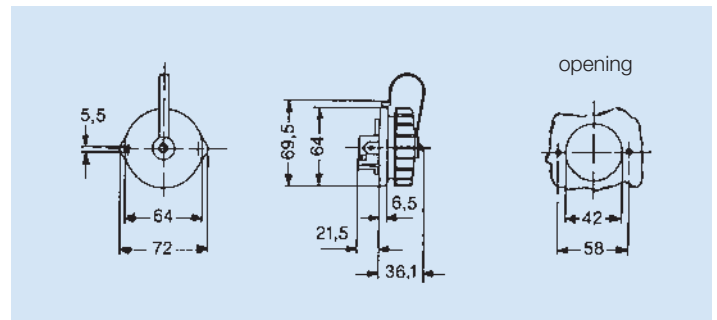
**Triple connector**

Colour	Article no.	Weight g/each	Pack. unit
blue	<b>1973951</b>	695	1



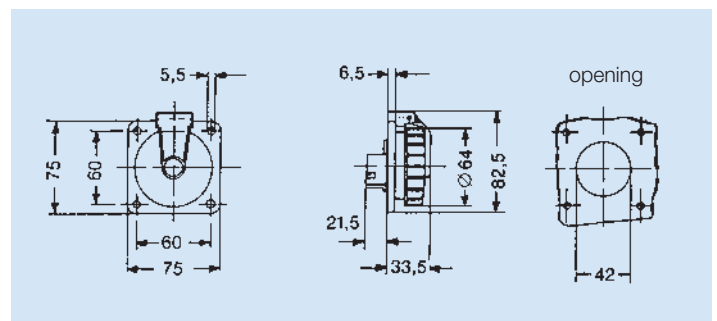
**Panel-mounted socket**  
double mounting

Colour	Article no.	Weight g/each	Pack. unit
blue	<b>1987850</b>	70	10



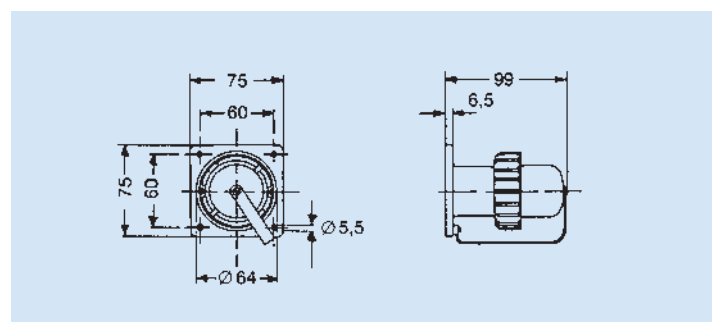
**Panel-mounted socket**  
quadruple mounting

Colour	Article no.	Weight g/each	Pack. unit
blue	<b>1987951</b>	90	10




**Plug with protective cap**

Colour	Article no.	Weight g/each	Pack. unit
blue	<b>1989850</b>	130	10



# Pressurised-water-impermeable SCHUKO plug connections

2-pole +  $\oplus$ , 16 A 250 V, acc. to DIN 49442/443  
Degree of protection IP68 



**Plug with protective cap**

supply no. 5935 12 141 3149  
VG type no. CP001  
certified acc. to VG 96926

Colour	Article no.	Weight g/each	Pack. unit
bronze-green	<b>1979830</b>	150	10



**Connector**

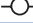
supply no. 5935 12 314 4771  
VG type no. DS001  
certified acc. to VG 96926

Colour	Article no.	Weight g/each	Pack. unit
bronze-green	<b>1976830</b>	150	10



**Wall-mounted socket outlets**

with 2 x M20 screw connection

Colour	Article no.	Weight g/each	Pack. unit
bronze-green 	<b>1977730</b>	180	10



**Triple connector**

Colour	Article no.	Weight g/each	Pack. unit
bronze-green	<b>1973930</b>	695	1

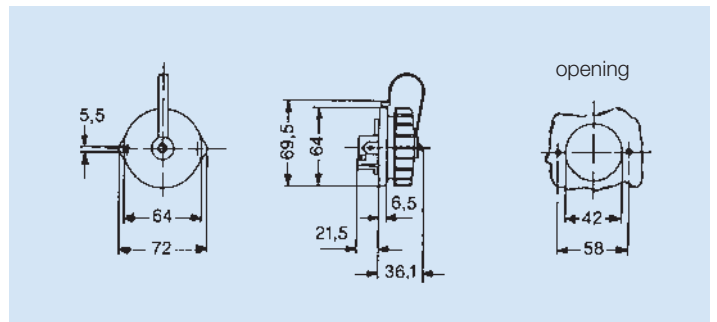


**Panel-mounted socket**

double mounting

supply no. 5935 12 314 4770  
VG type no. BS001  
certified acc. to VG 96926

Colour	Article no.	Weight g/each	Pack. unit
bronze-green	<b>1987830</b>	70	10

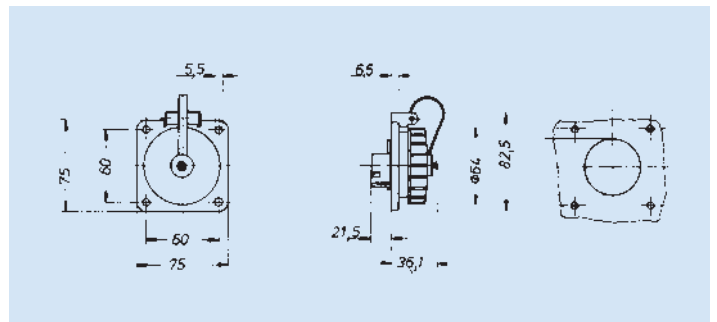


**Panel-mounted socket**

quadruple mounting

supply no. 5935 12 312 5115  
VG type no. AS001  
certified acc. to VG 96926

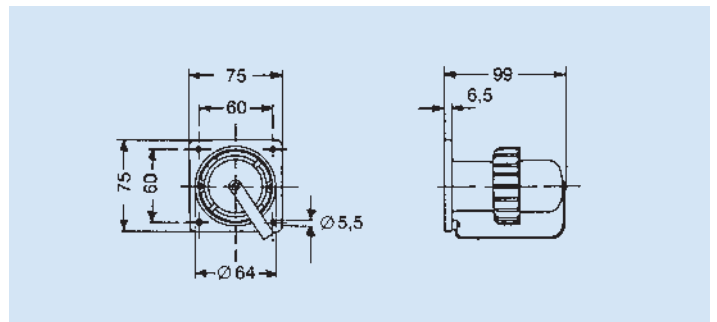
Colour	Article no.	Weight g/each	Pack. unit
bronze-green	<b>1987930</b>	90	10



**Plug with protective cap**

supply no. 5935 12 340 7272  
VG type no. AP001  
certified acc. to VG 96926

Colour	Article no.	Weight g/each	Pack. unit
bronze-green	<b>1989830</b>	130	10



## Socket outlets for every purpose

**Maximum diversity of models for many different applications characterise ABL SURSUM's wide range of products.**

Our various socket outlets in a wide variety of versions offer almost limitless possibilities.

SCHUKO and CEE socket outlets in the IP44 and IP67 protection classes cover every necessary application.

And with the socket outlets available in many different country versions, you are very well equipped for international applications.



**Areas of application**

- Installation companies
- Machine shops
- Plastic and metal processing companies
- Machine tools
- Assembly lines
- Logistics companies
- Service cars

- Car repair shops
- Car body construction
- All types of small trade
- Metalworking workshops
- Plumbers workshops
- Industrial bakeries
- Butchers plants
- Canteen kitchens

- Laboratories
- Weekly/ farmers' markets
- Market places
- Civil engineering, road construction
- Airports, train stations, multi-storey car parks
- Agriculture

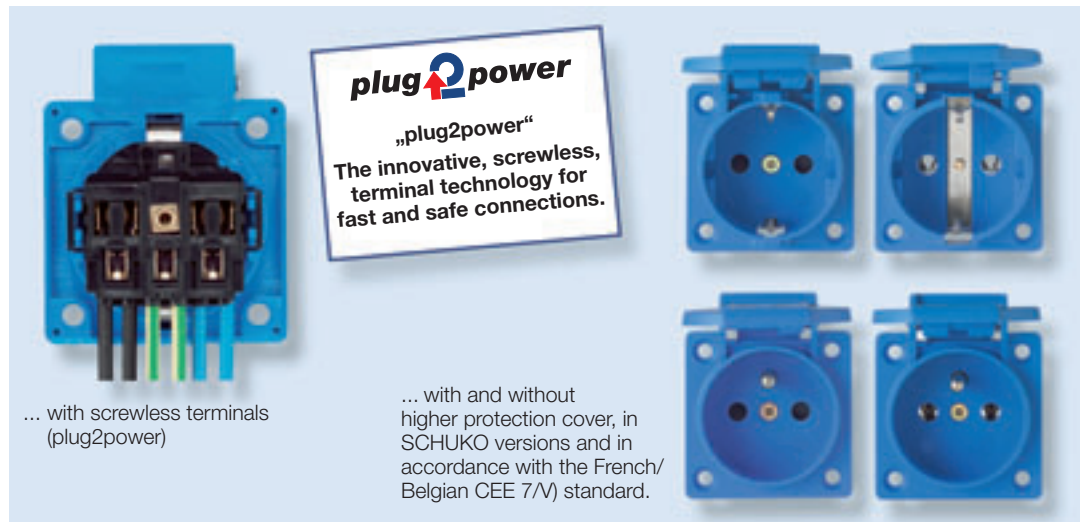
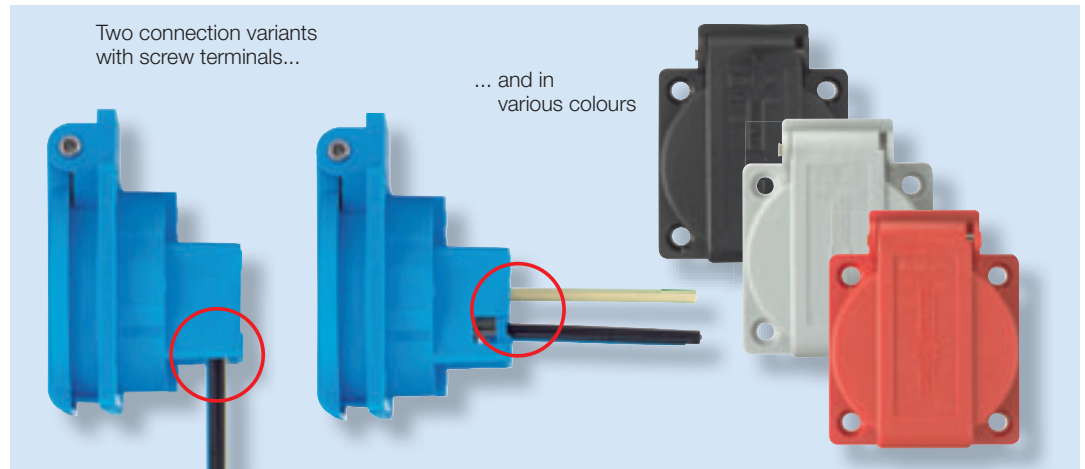
- Navigation, port facilities and boating slips
- Concert and theatre events
- Camping sites
- Household



By the way:  
Our extensive range of  
CEE products can be found in our  
“Industrial Plugs and Sockets”  
catalogue.



**Socket outlets  
IP54** 



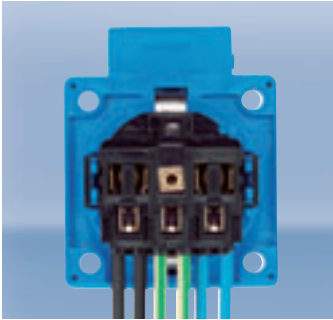
**Socket outlets  
IP55** 

with seal in hinged lid  
and self-locking  
hinged lid



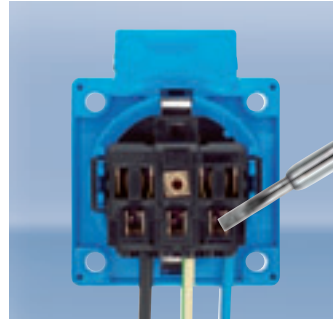
# SCHUKO socket outlets

2-pole + ⊕, 16 A 250 V, acc. to DIN 49440  
with screwless terminals



The connection terminals are designed as double terminals for cross sections of up to 2.5 mm<sup>2</sup> for wiring.

**plug 2 power**



Pressing the terminal with a screwdriver will release the cable.

**Connectable cable for screwless terminals.**

If the corresponding back-up fuses are assigned, cable cross sections of 0.75 to 1 mm<sup>2</sup> can also be wired.



The required stripped length and pin length for cable lugs 10 to 12 mm



Massive cables 1.5 mm<sup>2</sup> up to 2.5 mm<sup>2</sup>



Flexible cable 1.5 mm<sup>2</sup> up to 2.5 mm<sup>2</sup> with ferrules, crimped gastight



Flexible cable 1.5 mm<sup>2</sup> up to 2.5 mm<sup>2</sup> with pin terminals



Flexible cable 1.5 mm<sup>2</sup> up to 2.5 mm<sup>2</sup>



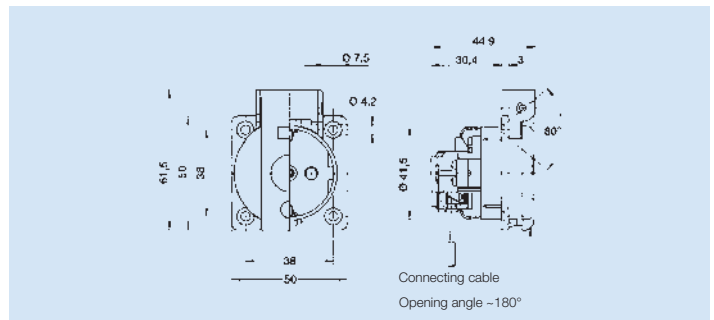
Flexible cable 1.5 mm<sup>2</sup> up to 2.5 mm<sup>2</sup> ultrasonically welded



**Socket outlet**

Thermoplastic  
Flange mounting IP54

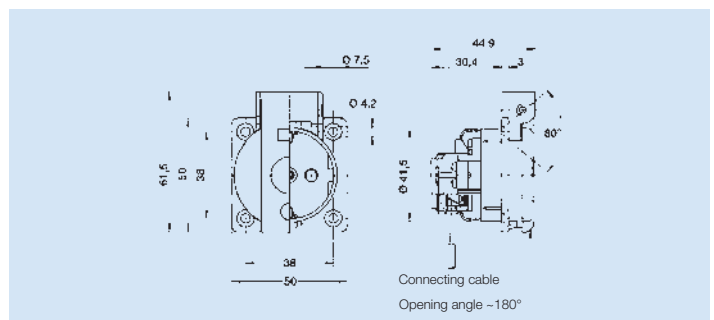
Colour	Article no.	Weight g/each	Packing unit
black	1361100	38	20
red	1361140	38	20
blue	1361150	38	20
grey	1361160	38	20



**Socket outlet**

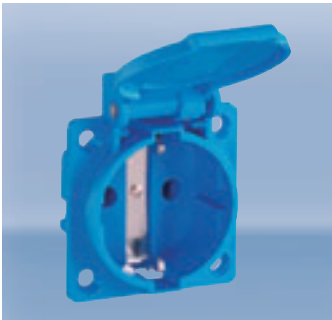
Thermoplastic  
Flange mounting IP54  
**with higher protection cover (child protection)**

Colour	Article no.	Weight g/each	Packing unit
black	1362100	38	20
red	1362140	38	20
blue	1362150	38	20
grey	1362160	38	20



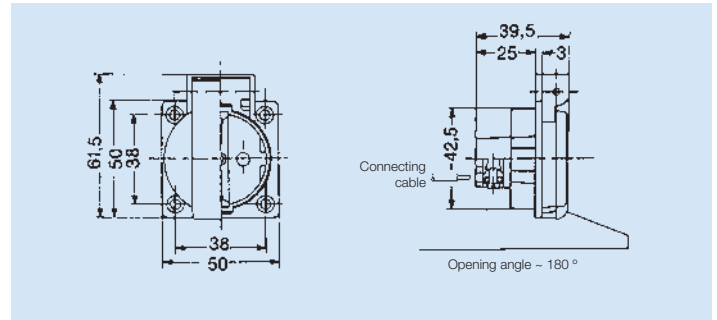
# SCHUKO socket outlets

2-pole + ⊕, 16 A 250 V, acc. to DIN 49440  
with screw terminals



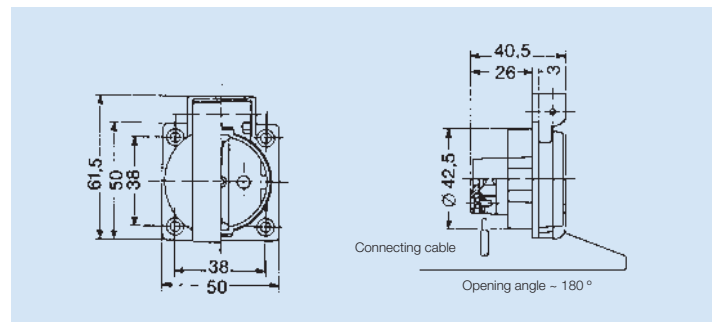
**Socket outlet**  
Thermoplastic  
Flange mounting IP54

Colour	Article no.	Weight g/each	Packing unit
black	1461000	38	100
red	1461040	38	100
blue	1461050	38	100
grey	1461060	38	100



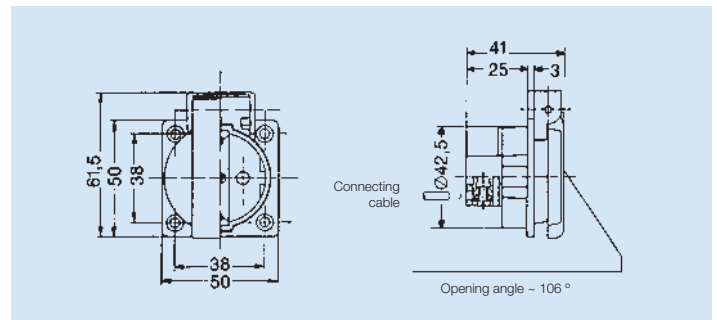
**Socket outlet**  
Thermoplastic  
Flange mounting IP54

Colour	Article no.	Weight g/each	Packing unit
black	1461100	38	100
red	1461140	38	100
blue	1461150	38	100
grey	1461160	38	100



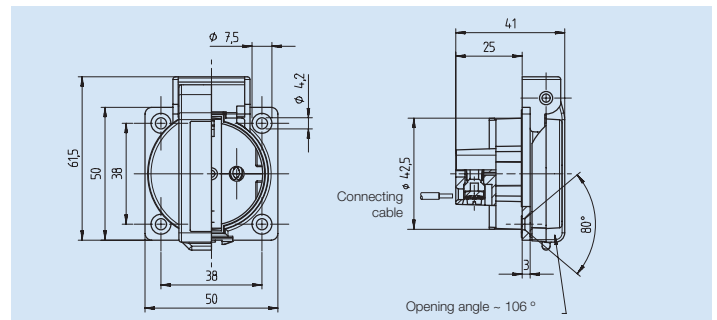
**Socket outlet**  
Thermoplastic  
Flange mounting IP54  
**with seal in hinged lid  
and flange seal 8632316**

Colour	Article no.	Weight g/each	Packing unit
blue	1461155	44	20



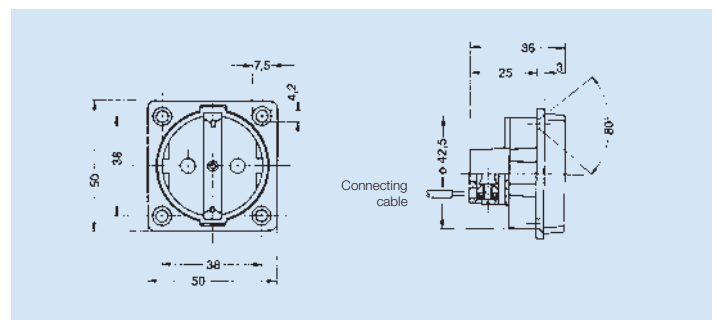
**Socket outlet**  
Thermoplastic  
Flange mounting IP55  
**with latching for hinged lid  
seal in hinged lid and  
flange seal 8632316**

Colour	Article no.	Weight g/each	Packing unit
blue	1461655	38	20



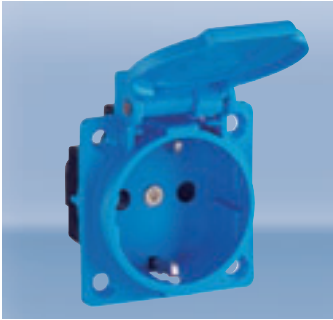
**Socket outlet**  
Thermoplastic  
Flange mounting

Colour	Article no.	Weight g/each	Packing unit
black	1461300	29	100
blue	1461350	29	100
grey	1461360	29	100




## SCHUKO socket outlets

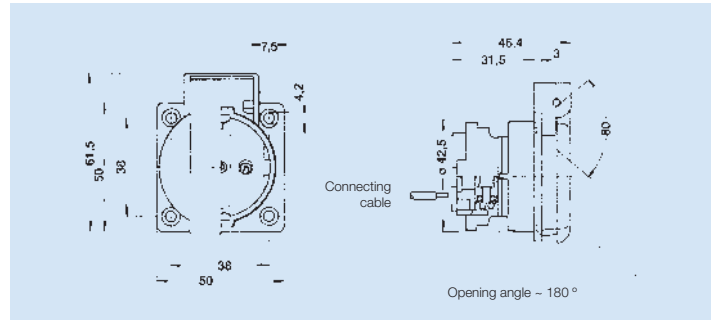
2-pole + ⊕, 16 A 250 V, acc. to DIN 49440  
with screw terminals




### Socket outlet

Thermoset socket  
Flange mounting IP54   
**with higher protection cover**  
**(child protection)**

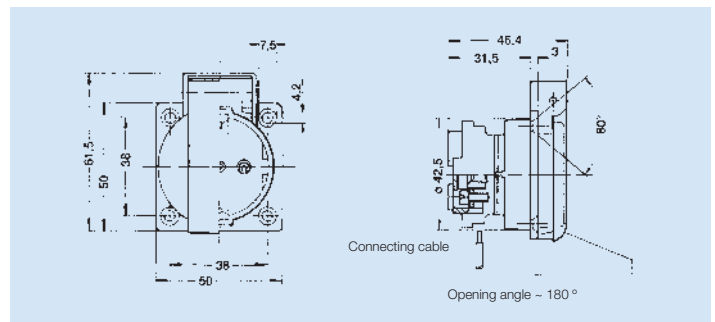
Colour	Article no.	Weight g/each	Packing unit
blue	1462050	38	20



### Socket outlet

Thermoset socket  
Flange mounting IP54   
**with higher protection cover**  
**(child protection)**

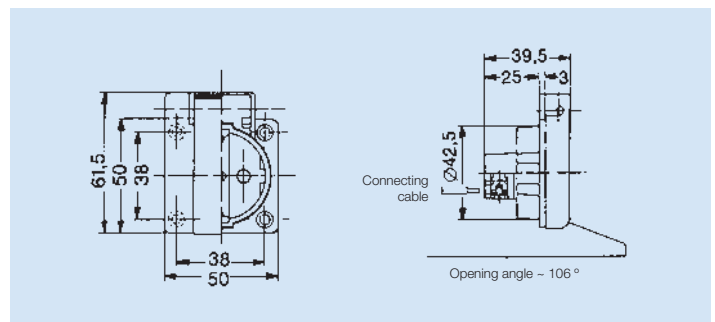
Colour	Article no.	Weight g/each	Packing unit
blue	1462150	38	20



### Socket outlet

Thermoplastic  
Flange mounting IP54 

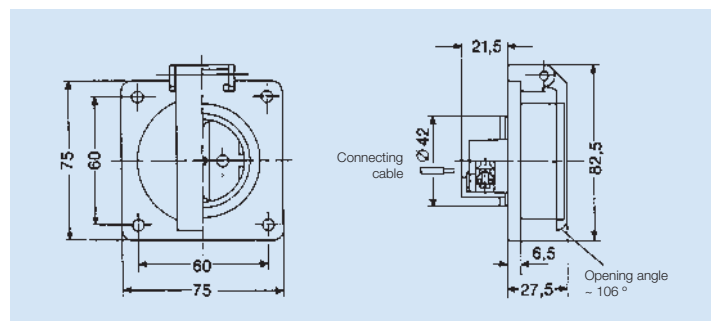
Colour	Article no.	Weight g/each	Packing unit
black	1461500	40	10
blue	1461550	40	10
grey	1461560	40	10



### Socket outlet 75 x 75 mm

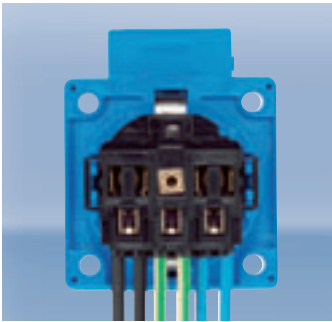
Thermoplastic  
Flange mounting IP44 

Colour	Article no.	Weight g/each	Packing unit
blue	1461850	59	10



## Socket outlets

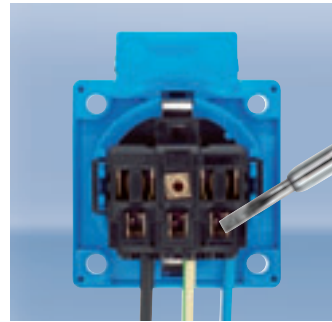
with earthing system acc. to CEE 7/V  
(Belgian/French earth) and screwless terminals



The connection terminals are designed as double terminals for cross sections of up to 2.5 mm<sup>2</sup> for wiring.

**plug2power**

„plug2power“  
The innovative, screwless, terminal technology for fast and safe connections.



Pressing the terminal with a screwdriver will release the cable.

### Connectable cable for screwless terminals.

If the corresponding back-up fuses are assigned, cable cross sections of 0.75 to 1 mm<sup>2</sup> can also be wired.



The required stripped length and pin length for cable lugs 10 to 12 mm



Massive cables 1.5 mm<sup>2</sup> up to 2.5 mm<sup>2</sup>



Flexible cable 1.5 mm<sup>2</sup> up to 2.5 mm<sup>2</sup> with ferrules, crimped gastight



Flexible cable 1.5 mm<sup>2</sup> up to 2.5 mm<sup>2</sup> with pin terminals



Flexible cable 1.5 mm<sup>2</sup> up to 2.5 mm<sup>2</sup>



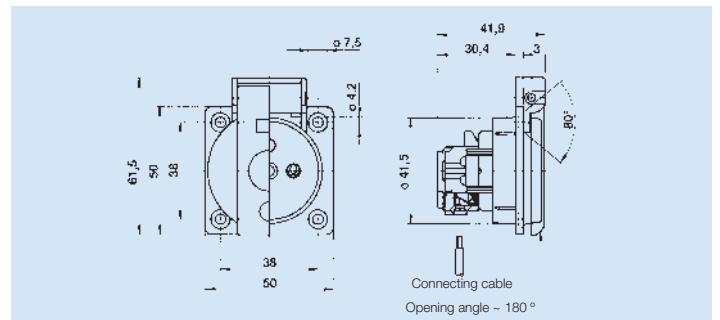
Flexible cable 1.5 mm<sup>2</sup> up to 2.5 mm<sup>2</sup> ultrasonically welded



### Socket outlet

Thermoplastic  
Flange mounting IP54  
Earthing system acc. to CEE 7/V

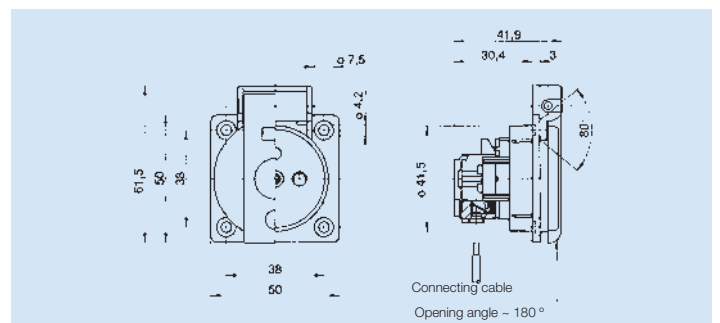
Colour	Article no.	Weight g/each	Packing unit
black	1361102	38	20
red	1361142	38	20
blue	1361152	38	20
grey	1361162	38	20



### Socket outlet

Thermoplastic  
Flange mounting IP54  
Earthing system acc. to CEE 7/V  
**with higher protection cover (child protection)**

Colour	Article no.	Weight g/each	Packing unit
black	1362102	38	20
red	1362142	38	20
blue	1362152	38	20
grey	1362162	38	20



## Socket outlets

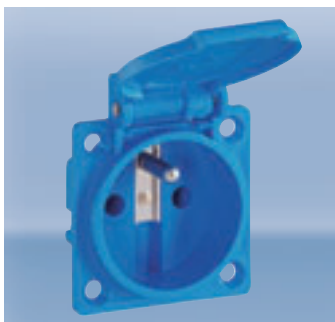
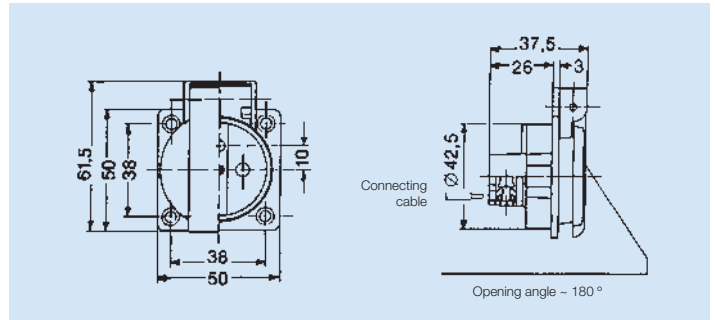
with earthing system acc. to CEE 7/V  
(Belgian/French earth) and screw terminals



### Socket outlet

Thermoplastic  
Flange mounting IP54  
Earthing system acc. to CEE 7/V

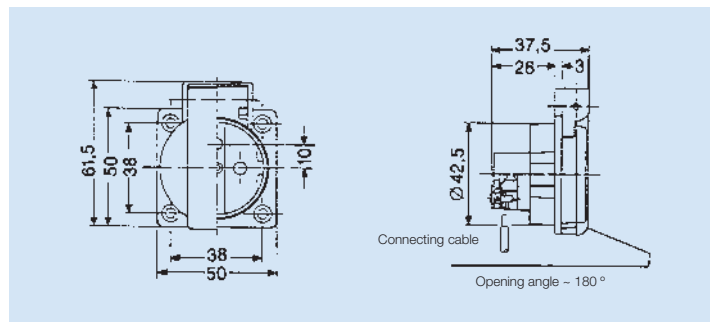
Colour	Article no.	Weight g/each	Packing unit
black	1461002	37	100
blue	1461052	37	100
grey	1461062	37	100



### Socket outlet

Thermoplastic  
Flange mounting IP54  
Earthing system acc. to CEE 7/V

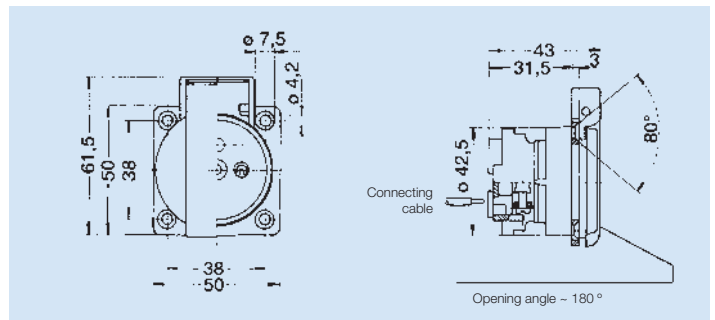
Colour	Article no.	Weight g/each	Packing unit
black	1461102	37	100
blue	1461152	37	100
grey	1461162	37	100



### Socket outlet

Thermoset socket  
Flange mounting IP54  
Earthing system acc. to CEE 7/V  
**with higher protection cover (child protection)**

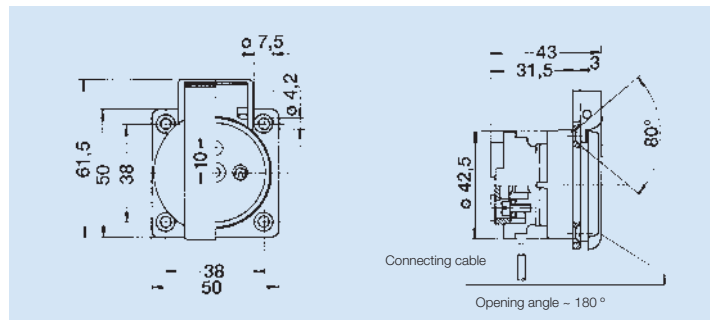
Colour	Article no.	Weight g/each	Packing unit
black	1462002	45	100
blue	1462052	45	100

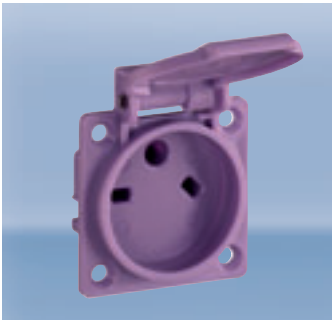


### Socket outlet

Thermoset socket  
Flange mounting IP54  
Earthing system acc. to CEE 7/V  
**with higher protection cover (child protection)**

Colour	Article no.	Weight g/each	Packing unit
black	1462102	45	100
blue	1462152	45	100
grey	1462162	45	100

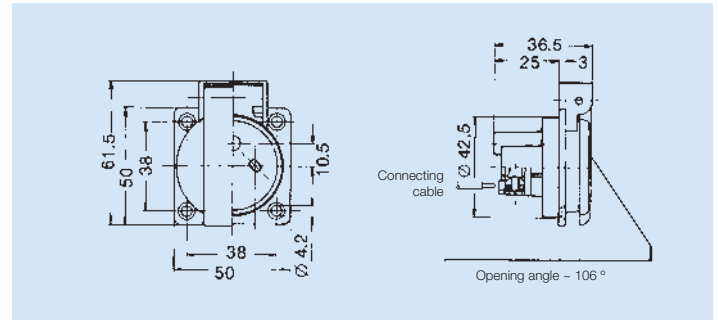




**Socket outlet 48 V /10 A**

Thermoplastic  
Flange mounting IP54  $\diamond$   
Czech Republic  
acc. to CSN standard 354517  
2-pole 10 A, 48 V

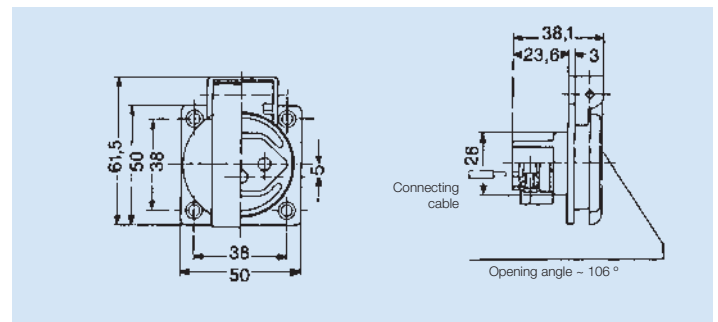
Colour	Article no.	Weight g/each	Packing unit
violett	<b>CZ24-48</b>	29	100



**Socket outlet 250 V/10 A**

Thermoplastic  
Flange mounting IP54  $\diamond$   
Swiss system  
acc. to SEV 6535 type 13

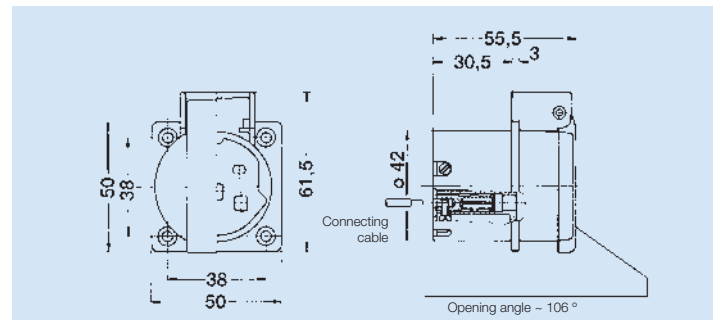
Colour	Article no.	Weight g/each	Packing unit
blue	<b>1461005</b>	37	200
black	<b>1461006</b>	37	200
grey	<b>1461066</b>	37	200



**Socket outlet 400 V/10 A**

Thermoplastic  
Flange mounting IP54  $\diamond$   
Swiss system  
acc. to SEV 6532 type 15

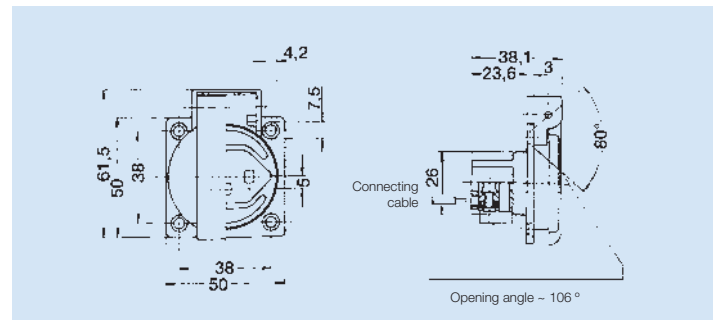
Colour	Article no.	Weight g/each	Packing unit
grey	<b>SEV-100</b>	57	100



**Socket outlet 250 V/16 A**

Thermoplastic  
Flange mounting IP54  $\diamond$   
Swiss system  
acc. to SEV 5934 type 23  
with seal in hinged lid

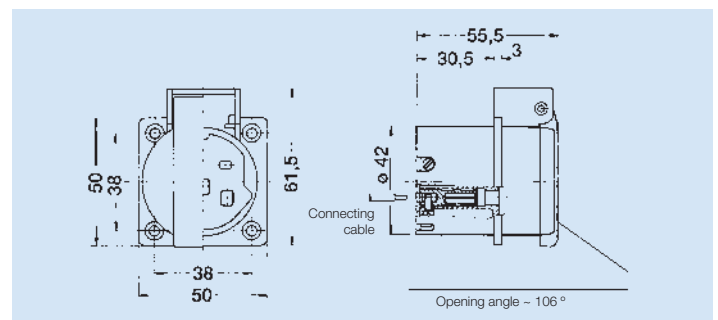
Colour	Article no.	Weight g/each	Packing unit
grey/blue	<b>1461965</b>	40	200



**Socket outlet 400 V/16 A**

Thermoplastic  
Flange mounting IP54  $\diamond$   
Swiss system  
acc. to SEV 5932 type 25  
with seal in hinged lid

Colour	Article no.	Weight g/each	Packing unit
grey/red	<b>SEV1148</b>	65	100



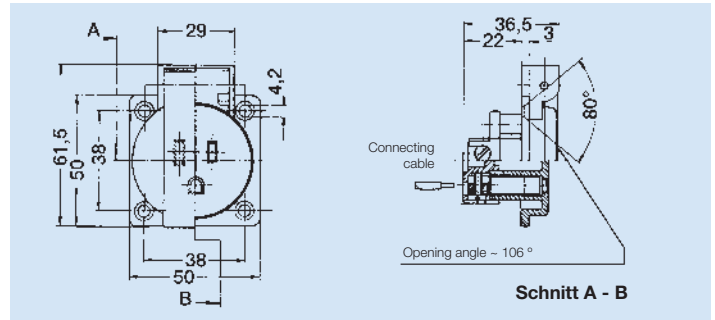


**Socket outlet 125 V / 15 A**  
**1-pole + N + Ⓧ**

Thermoplastic

USA: acc. to UL 498/NEMA 5-15 R  
Canada: acc. to CSA C22.2 Nr.:42

Colour	Article no.	Weight g/each	Packing unit
black	<b>UL12500</b>	45	100
blue	<b>UL12505</b>	45	100
grey	<b>UL12506</b>	45	100

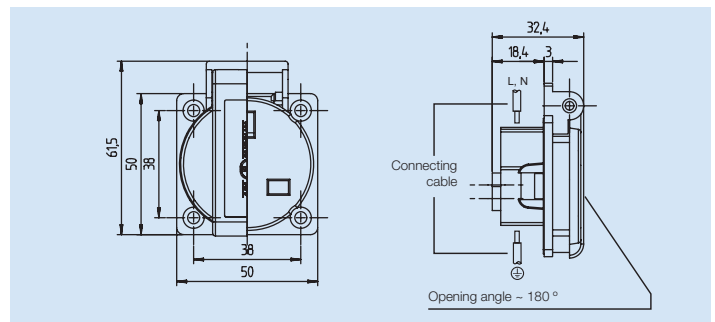


**Socket outlet 250V / 13 A**  
**British Standard acc. to 1363**

Thermoplastic

Flange mounting IP54

Colour	Article no.	Weight g/each	Packing unit
black	<b>BS13630</b>	38	100



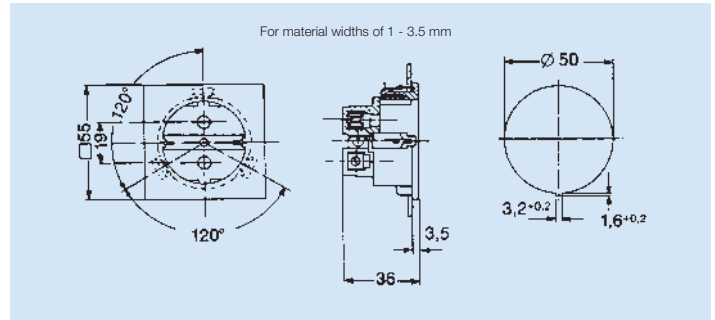




**Socket outlet**

Thermoplastic  
Quick mounting with steel springs

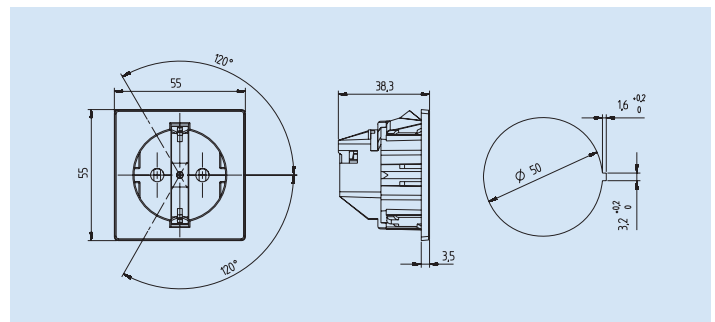
Colour	Article no.	Weight g/each	Packing unit
black	1111000	35	100
white	1111010	35	100



**Socket outlet**

Thermoplastic  
Quick mounting with steel springs  
**with higher protection cover (child protection)**

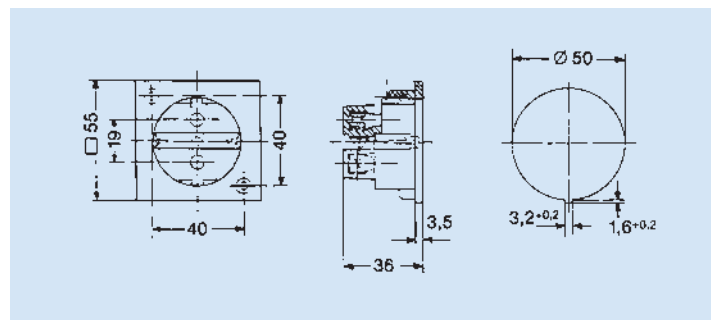
Colour	Article no.	Weight g/each	Packing unit
white	1111610	35	100



**Socket outlet**

Thermoplastic  
Flange mounting

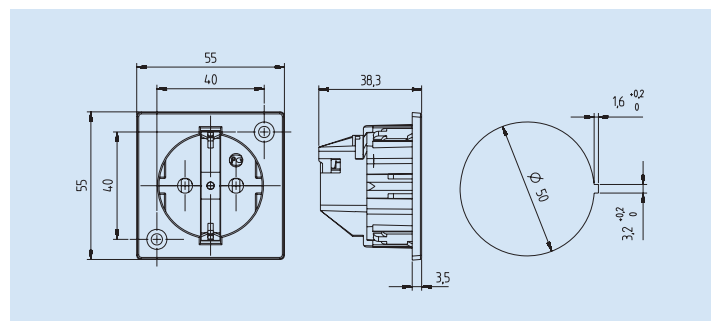
Colour	Article no.	Weight g/each	Packing unit
black	1111400	33	100
white	1111410	33	100



**Socket outlet**

Thermoplastic  
Flange mounting  
**with higher protection cover (child protection)**

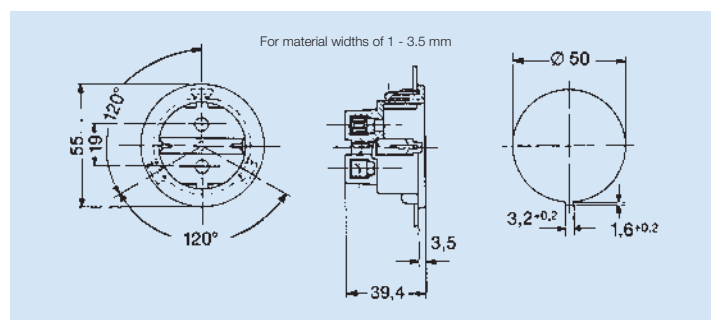
Colour	Article no.	Weight g/each	Packing unit
white	1111510	33	100



**Socket outlet**

Thermoplastic  
Quick mounting with steel springs

Colour	Article no.	Weight g/each	Packing unit
black	1101000	31	100
white	1101010	31	100

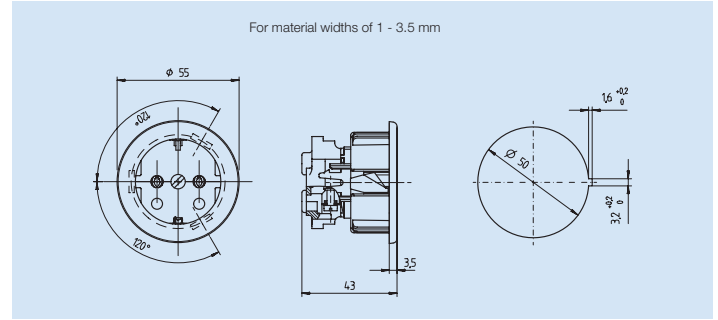




**Socket outlet**

Thermoplastic  
Quick mounting with steel springs  
**with higher protection cover (child protection)**

Colour	Article no.	Weight g/each	Packing unit
black	<b>1101200</b>	33	100
white	<b>1101210</b>	33	100

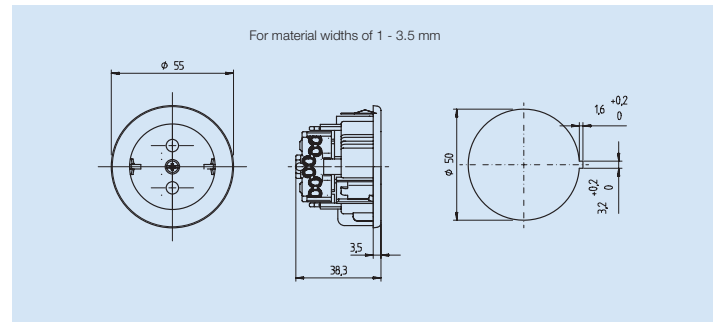


**Socket outlet**

Thermoplastic  
Quick mounting with steel springs  
with screwless terminals



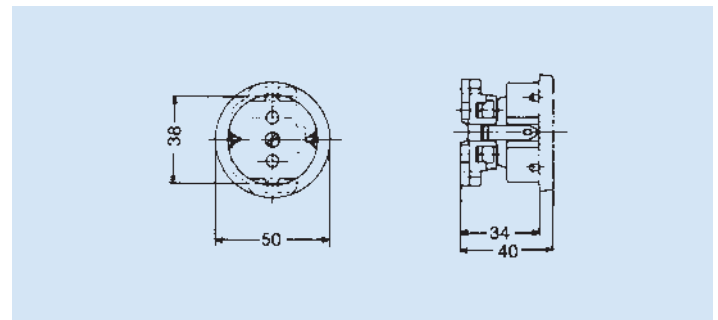
Colour	Article no.	Weight g/each	Packing unit
black	<b>1201200</b>	31	100
white	<b>1201210</b>	31	100



**Socket outlet**

Thermoset

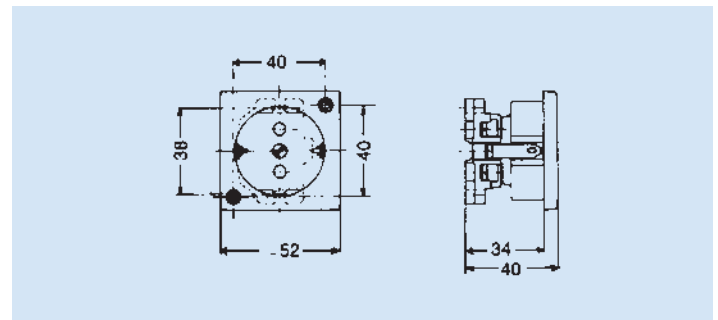
Colour	Article no.	Weight g/each	Packing unit
black	<b>1401300</b>	41	50
white	<b>1401310</b>	41	50



**Socket outlet**

Thermoset  
Flange mounting

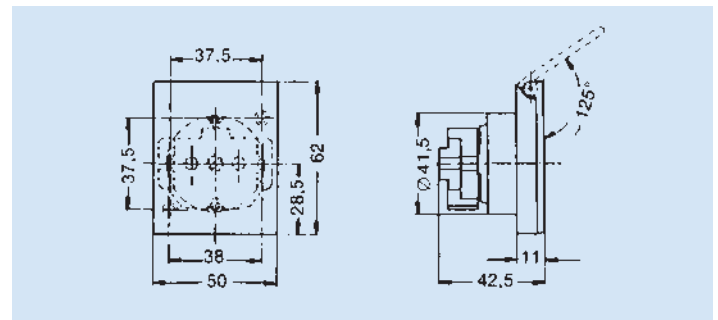
Colour	Article no.	Weight g/each	Packing unit
black	<b>1411400</b>	41	50
white	<b>1411410</b>	41	50



**Socket outlet**

Thermoplastic  
with Thermoset socket  
Flange mounting

Colour	Article no.	Weight g/each	Packing unit
white	<b>1151010</b>	44	50



## SCHUKO socket outlets

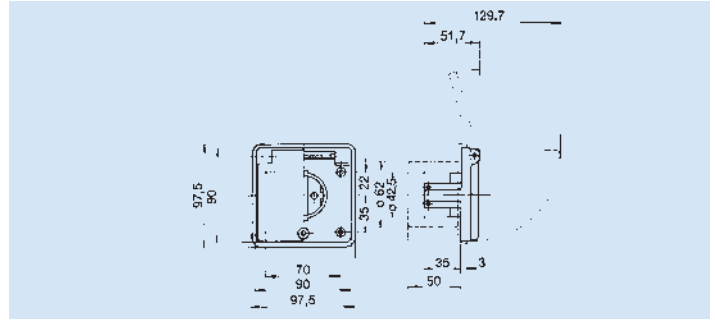
2-pole +  $\oplus$ , 16 A 250 V, acc. to DIN 49440



### Socket outlet

Thermoset  
Flange mounting  
splash-proof IP44  
with rubber pot

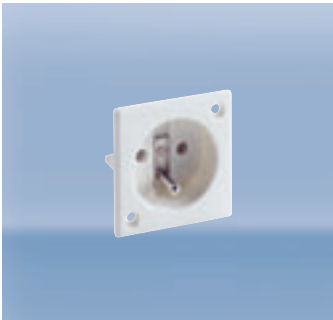
Colour	Article no.	Weight g/each	Packing unit
white	<b>1655217</b>	187	10



## Socket outlets

with earthing system

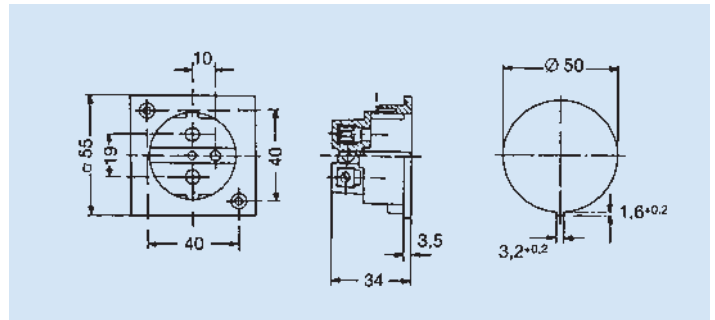
acc. to CEE 7/V (Belgian/French earth)



### Socket outlet

Thermoplastic  
Flange mounting  
Earthing system acc. to CEE 7/V

Colour	Article no.	Weight g/each	Packing unit
black	<b>1111402</b>	33	100
white	<b>1111412</b>	33	100





---

## Sophisticated design – Floor-mounted socket outlets from solid die-cast metal

### Design and technology in one

Power, telephone, network, and other electric connections are becoming more and more important and increase user-friendliness and comfort of living. They are needed where the devices to be connected are used.

Cables lying around exposed are not only a source of danger – they also interfere with the design in modern, open-plan rooms. High-quality socket outlets with exclusive design, made from high-quality materials, allow for user-friendly, highly sophisticated room design.

Discreet and functional, they are the best solutions for dry, well-maintained spaces.



# Exclusive floor-mounted socket outlets

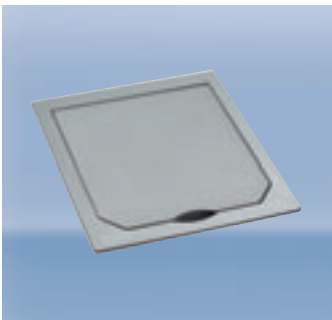
94 x 94 mm



Figure:  
Exclusive floor-mounted  
socket outlets  
size 112 x 112 mm

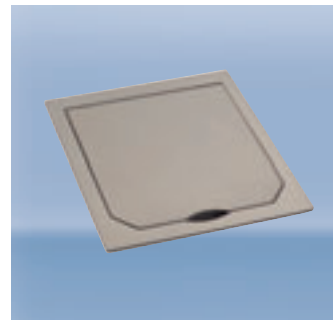
**Room design down to the smallest detail:  
Compact socket outlets with luxury design  
for dry care rooms.**

- **Luxury design**  
Ideal for luxury living rooms and stylish business rooms
- **Extremely rugged design**  
Solid precious metal covers
- **Always the right choice**  
Suitable for all standard market installation, communication and telecommunication sockets (size 112 x 112 mm)
- **Elegant**  
Concealed fastening screws
- **Functional installation**  
Modular design: several enclosures possible
- **Available in two sizes**  
94 x 94 mm, 112 x 112 mm



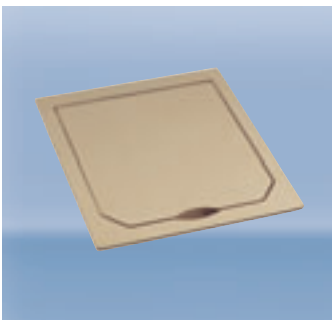
**Cover with hinged lid  
Stainless steel, matt**  
made of cast-aluminium-bronze  
drip-proof IP41

Article no.	Weight g/each	Packing unit
<b>1471ESM</b>	315	1



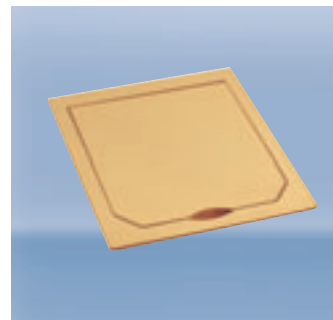
**Cover with hinged lid  
Platinum, matt**  
made of cast-aluminium-bronze  
drip-proof IP41

Article no.	Weight g/each	Packing unit
<b>1471PLM</b>	315	1



**Cover with hinged lid  
Brass, matt <sup>2)</sup>**  
made of cast-aluminium-bronze  
drip-proof IP41

Article no.	Weight g/each	Packing unit
<b>1471MSM</b>	315	1



**Cover with hinged lid  
Gold, matt**  
made of cast-aluminium-bronze  
drip-proof IP41

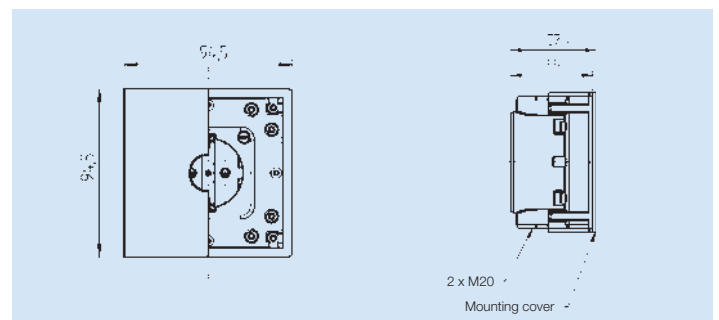
Article no.	Weight g/each	Packing unit
<b>1471AUM</b>	315	1



**Base <sup>1)</sup>**  
made of thermoplastic  
with SCHUKO socket outlet  
with two M20

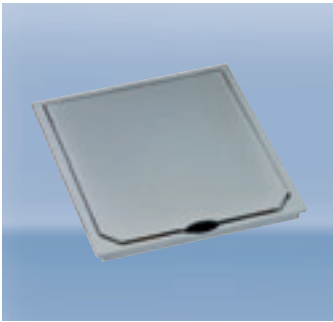


Article no.	Weight g/each	Packing unit
<b>1471601</b>	125	1



# Exclusive floor-mounted socket outlets

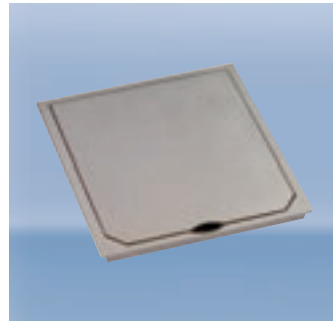
112 x 112 mm



**Cover with hinged lid  
Stainless steel, matt**

made of cast-aluminium-bronze  
drip-proof IP41

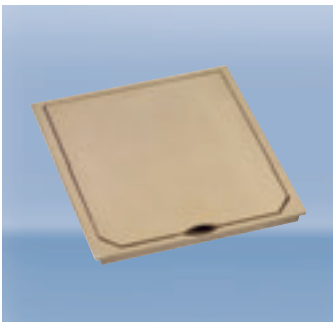
Article no.	Weight g/each	Packing unit
1632ESM	498	1



**Cover with hinged lid  
Platinum, matt**

made of cast-aluminium-bronze  
drip-proof IP41

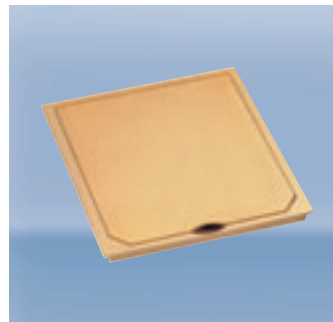
Article no.	Weight g/each	Packing unit
1632PLM	498	1



**Cover with hinged lid  
Brass, matt <sup>2)</sup>**

made of cast-aluminium-bronze  
drip-proof IP41

Article no.	Weight g/each	Packing unit
1632MSM	498	1



**Cover with hinged lid  
Gold, matt**

made of cast-aluminium-bronze  
drip-proof IP41

Article no.	Weight g/each	Packing unit
1632AUM	498	1

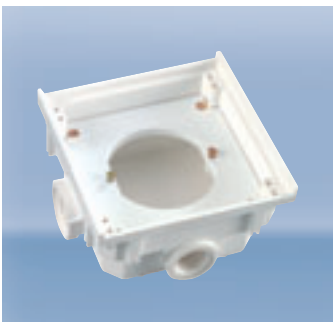
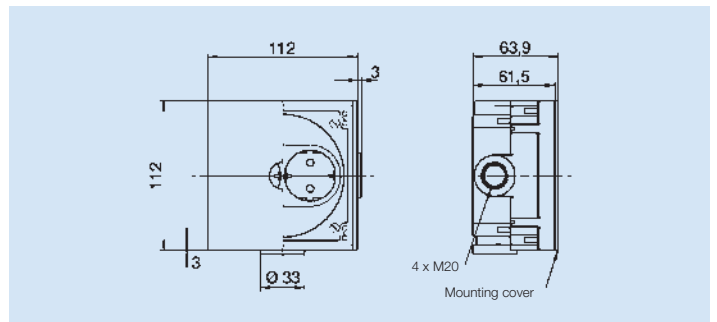


**Base <sup>1)</sup>**

made of thermoplastic  
with double SCHUKO socket outlet  
with four M20



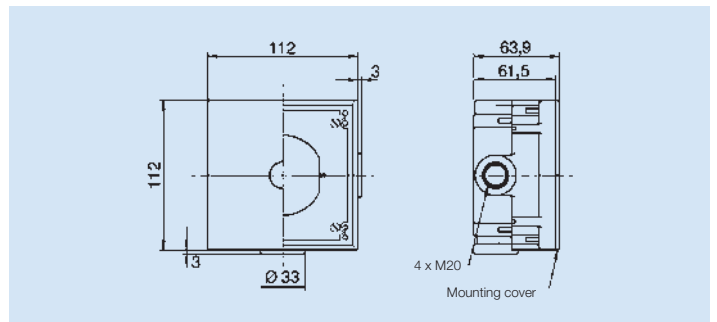
Article no.	Weight g/each	Packing unit
1632602	281	1



**Housing Base <sup>1)</sup>**

made of thermoplastic  
with four M20

Article no.	Weight g/each	Packing unit
1632500	187	1

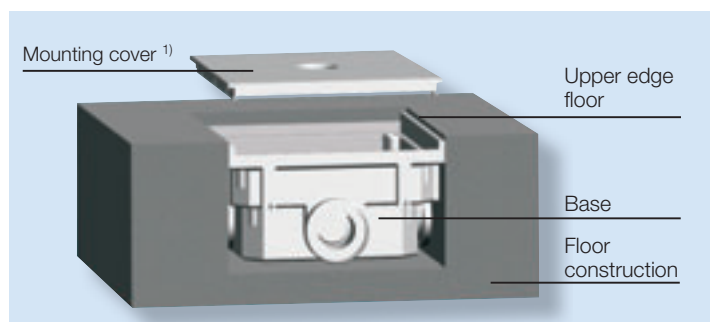


All standard socket outlets with an 80 mm cover and support ring fastening available for installation engineering, communication and telecommunications can be mounted into the 1632500 enclosure.

To build complete systems, the individual enclosures can be mounted side by side by means of connecting clamps at the rear.

<sup>1)</sup> A mounting cover for height adjustment is supplied with the base.

<sup>2)</sup> Note:  
If acidic sealants are used on brass surfaces, discolouration (verdigris) may occur.





**Socket outlets for any type of application:  
great function, great variety.**

- **On the safe side**  
Planar surface, maximum protection, flush mounting
- **Extremely rugged design**  
Bases and covers made of solid aluminium die-cast
- **Always the right choice**  
Suits numerous purposes, can be equipped with the most varied plug connectors
- **Maximum functionality**  
Suitable both for wall-mounting and floor-mounting as well as for dry and wet care rooms
- **Ideal**  
For industrial, trade and building applications

# Floor-mounted socket outlets, aluminium die-cast

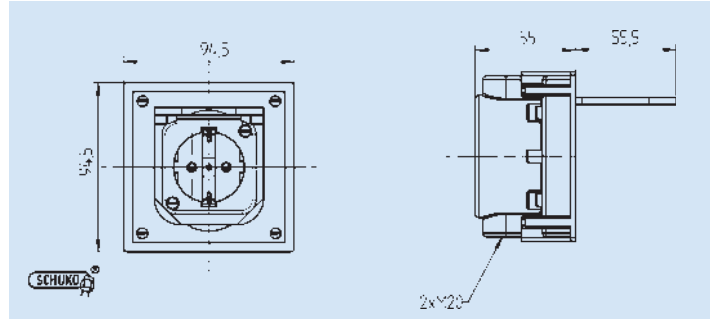
**SCHUKO, PERILEX, EN 60309, Communications technology**



**SCHUKO socket outlet**

drip-proof IP41  
Cover with hinged lid from aluminium die-cast  
Base made of Thermoplastic with two M20 1471460  
with higher protection cover 1471461

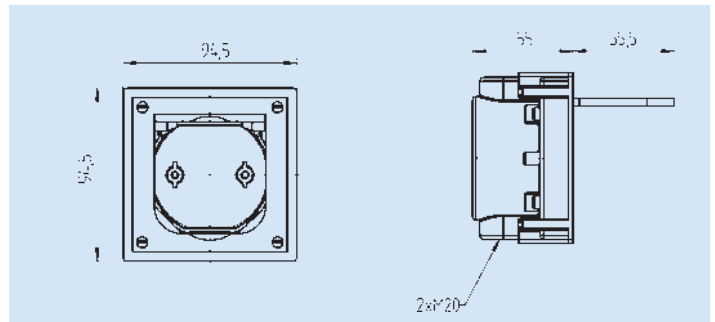
Colour	Article no.	Weight g/each	Packing unit
grey	<b>1471460</b>	301	1
grey	<b>1471461</b>	301	1



**Housing**

drip-proof IP41  
Cover with hinged lid from aluminium die-cast  
Base made of Thermoplastic with two M20

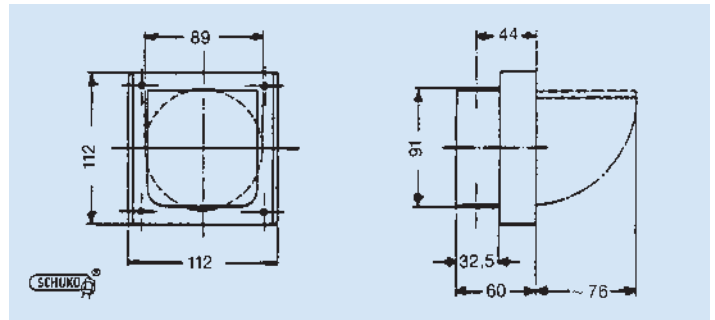
Colour	Article no.	Weight g/each	Packing unit
grey	<b>1471497</b>	250	1



**SCHUKO double socket outlet**

drip-proof IP41  
Cover with hinged lid  
Cover with hinged lid  
Base Cover with hinged lid with two M20

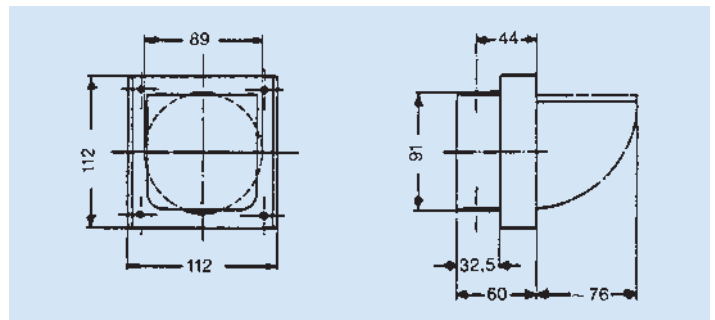
Colour	Article no.	Weight g/each	Packing unit
grey	<b>1632490</b>	575	1



**PERILEX socket outlet 16 A**

drip-proof IP41  
Cover with hinged lid from aluminium die-cast  
Base from aluminium die-cast with two M20

Colour	Article no.	Weight g/each	Packing unit
grey	<b>2218490</b>	652	1



## Floor-mounted socket outlets, aluminium die-cast

**SCHUKO, PERILEX, EN 60309, Communications technology**

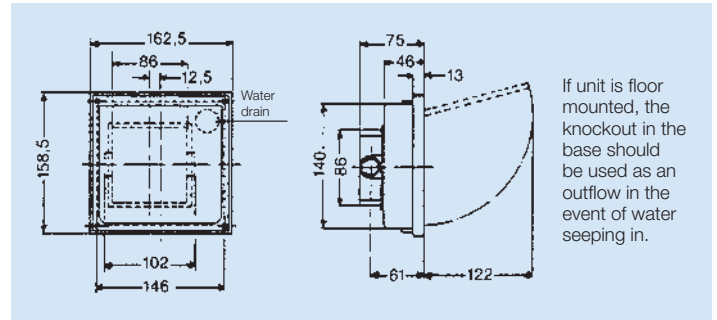


### SCHUKO socket outlet

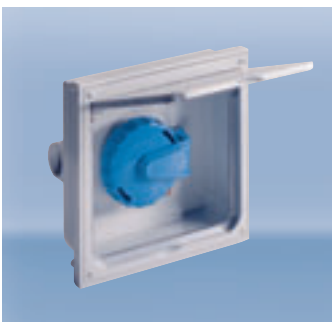
Socket outlet component watertight to IP66  
Cover with hinged lid from aluminium die-cast  
Base made of Thermoplastic with two M20



Colour	Article no.	Weight g/each	Packing unit
grey	<b>1471360</b>	740	1



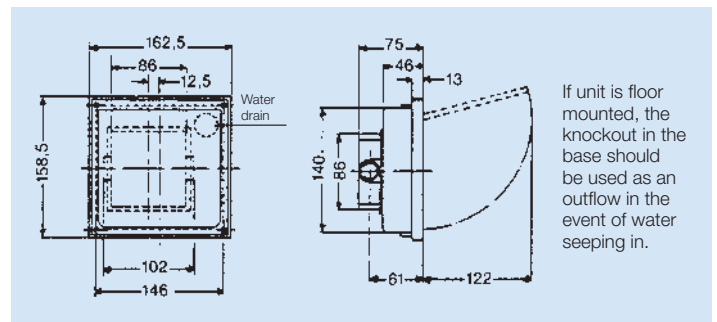
If unit is floor mounted, the knockout in the base should be used as an outflow in the event of water seeping in.



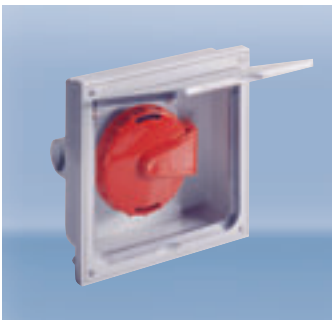
### CEE socket outlet

2-pole +  $\oplus$ , 16 A, 230 V  
Socket outlet component watertight to IP 67  
Cover with hinged lid from aluminium die-cast  
Base made of thermoplastic with two M20

Colour	Article no.	Weight g/each	Packing unit
grey	<b>D 31.00</b>	770	1



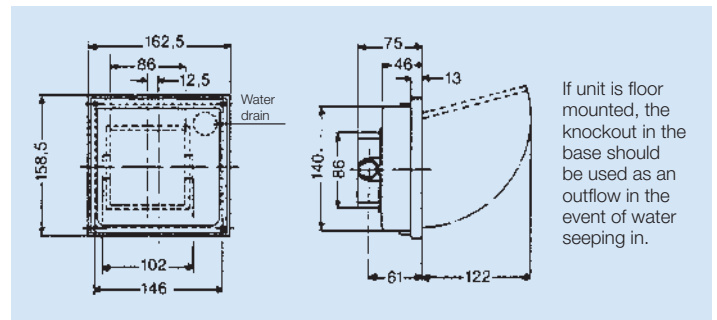
If unit is floor mounted, the knockout in the base should be used as an outflow in the event of water seeping in.



### CEE socket outlet

3-pole + N +  $\oplus$ , 16 A, 400 V  
Socket outlet component watertight to IP 67  
Cover with hinged lid from aluminium die-cast  
Base made of thermoplastic with two M20

Colour	Article no.	Weight g/each	Packing unit
grey	<b>D 51.00</b>	820	1



If unit is floor mounted, the knockout in the base should be used as an outflow in the event of water seeping in.

## Floor-mounted socket outlets, aluminium die-cast

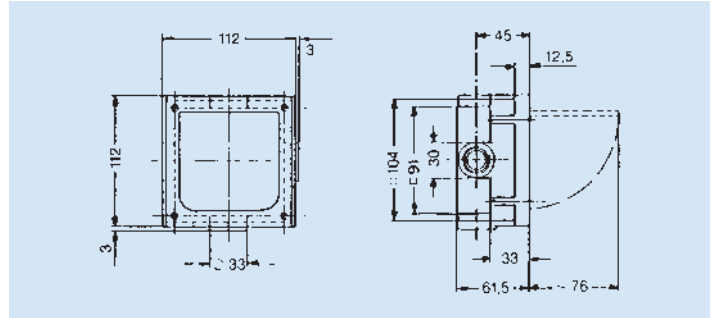
**SCHUKO, PERILEX, EN 60309,**  
**Communications technology**



### Housing

drip-proof IP41  
 Cover with hinged lid  
 from aluminium die-cast  
 Base made of thermoplastic  
 with four M20

Colour	Article no.	Weight g/each	Packing unit
grey	<b>1632497</b>	375	1



All standard socket outlets with an 80 mm cover and support ring fastening available for installation engineering, communication and telecommunications can be mounted into the 1632497 enclosure below.

To build complete systems, the individual enclosures can be mounted side by side by means of connecting clamps at the rear.



**Plug**  
Thermoset

Colour	Article no.	Weight g/each	Pack. unit
white	<b>2201110</b>	99	10



**Connector**  
Thermoset

Colour	Article no.	Weight g/each	Pack. unit
white	<b>2206110</b>	149	10



**Solid rubber plug**  
splash-proof IP44

Colour	Article no.	Weight g/each	Pack. unit
black	<b>2429090</b>	182	10



**Solid rubber connector**

Colour	Article no.	Weight g/each	Pack. unit
black	<b>2489090</b>	271	10



**Angle plug**  
Thermoset

Colour	Article no.	Weight g/each	Pack. unit
white	<b>2407110</b>	113	10



**Flush-mounted socket outlet**

Colour	Article no.	Weight g/each	Pack. unit
white	<b>2421110</b>	142	10



**Flush-mounted socket outlet**  
splash-proof IP44  
with in-wall box

Colour	Article no.	Weight g/each	Pack. unit
white	<b>2451510</b>	234	10



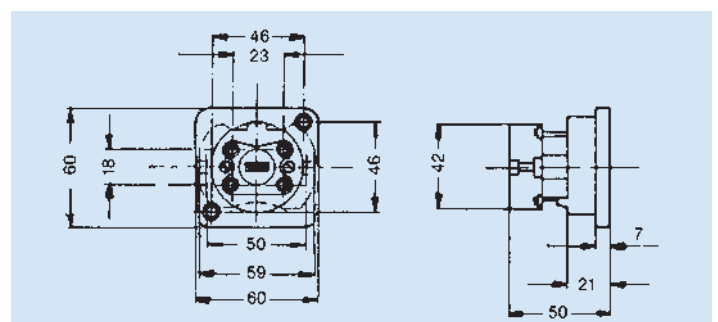
**Surface-mounted socket outlet**

Colour	Article no.	Weight g/each	Pack. unit
white	<b>2491010</b>	136	10



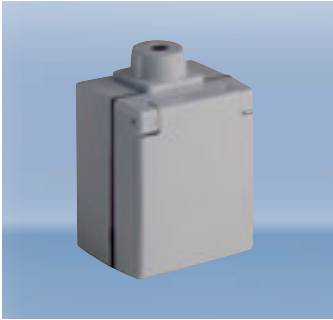
**Socket outlet**

Colour	Article no.	Weight g/each	Pack. unit
white	<b>2213510</b>	149	10



## PERILEX plug connections

3-pole + N +  $\oplus$ , 16 A AC 400/230 V, acc. to DIN 49445/46



**Surface-mounted socket outlet**  
splash-proof IP44

Colour	Article no.	Weight g/each	Pack. unit
grey	<b>2441860</b>	271	5

## PERILEX plug connections

3-pole + N +  $\oplus$ , 25 A AC 400/230 V, acc. to DIN 49447/48



**Angle plug 25 A**  
Thermoset

Colour	Article no.	Weight g/each	Pack. unit
white	<b>2302010</b>	186	10



**Flush-mounted socket outlet 25 A**  
round form

Flush-mounted socket 2307100

Colour	Article no.	Weight g/each	Pack. unit
white	<b>2303110</b>	266	10
	<b>2307100</b>	111	20



**Surface-mounted socket outlet 25 A**  
round form

Colour	Article no.	Weight g/each	Pack. unit
white	<b>2300010</b>	284	10



Outlet box according to VDE 0606

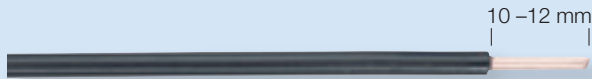
- For flush mounting and surface mounting
- Supporting frame and hinged lid from thermoplastic
- Hinged lid with quick-snap lock
- Large connection space due to the arrangement of the terminals outside the flush-mounted socket
- Supporting frame for screw fastening to 58-type and 70-type switch boxes or dowel fastening
- Covered, screwless double terminal 5 x 2.5 mm<sup>2</sup>  
Rated cross section
- Retrofitting of two double terminals and second strain relief possible for additional outgoing cable



# Outlet boxes

with screwless terminals – acc. to VDE 0606

## Connectable cable for screwless terminals.



The required stripped length and pin length for cable lugs 10 to 12 mm



Massive cables 1.5 mm<sup>2</sup> up to 2.5 mm<sup>2</sup>



Flexible cable 1.5 mm<sup>2</sup> up to 2.5 mm<sup>2</sup> with ferrules, crimped gastight



Flexible cable 1.5 mm<sup>2</sup> up to 2.5 mm<sup>2</sup> with pin terminals



Flexible cable 1.5 mm<sup>2</sup> up to 2.5 mm<sup>2</sup>



Flexible cable 1.5 mm<sup>2</sup> up to 2.5 mm<sup>2</sup> ultrasonically welded

- Quick and reliable installation
- For flush mounting and surface mounting
- For stiff and flexible cables of up to 2.5 mm<sup>2</sup>



„plug2power“  
The innovative, screwless, terminal technology for fast and safe connections.



### Outlet box

Thermoplastic for surface mounting  
Cover with snap lock  
Terminals: 5 x 2.5 mm<sup>2</sup>

Colour	Article no.	Weight g/each	Pack. unit
white	<b>2504010</b>	53	10



### Outlet box

Thermoplastic For flush mounting and surface mounting  
Cover with snap lock  
Terminals: 5 x 2.5 mm<sup>2</sup>

Colour	Article no.	Weight g/each	Pack. unit
white	<b>2504110</b>	53	10



### Outlet box

Thermoplastic For flush mounting and surface mounting  
Claw bracket can be snapped out  
Cover with snap lock  
Terminals: 5 x 2.5 mm<sup>2</sup>

Colour	Article no.	Weight g/each	Pack. unit
white	<b>2504210</b>	63	10



### Additional terminals and strain relief

2 Terminals 2.5 mm<sup>2</sup> can be snapped onto the terminal strip for outlet boxes art. no. 2504010 / 2504110 / 2504210

Colour	Article no.	Weight g/each	Pack. unit
black	<b>2504ZKS</b>	9	1

## Outlet boxes acc. to VDE 0606

- For flush mounting and surface mounting
- Supporting frame and hinged lid from thermoplastic
- Hinged lid with quick-snap lock
- Large connection space due to the arrangement of the terminals outside the flush-mounted socket
- Supporting frame for screw fastening to 58-type and 70-type switch boxes or dowel fastening

- Covered double terminal 5 x 6 mm<sup>2</sup> rated cross section
- All screws with combi slots ± (Pozidriv)
- Retrofitting of two double terminals and second strain relief possible for additional outgoing cable



### Outlet box

Thermoplastic  
for surface mounting  
Cover with snap lock  
Terminals: 5 x 6 mm<sup>2</sup>

Colour	Article no.	Weight g/each	Pack. unit
white	<b>2505010</b>	80	10



### Outlet box

Thermoplastic  
For flush mounting and surface mounting  
Cover with snap lock  
Terminals: 5 x 6 mm<sup>2</sup>

Colour	Article no.	Weight g/each	Pack. unit
white	<b>2505110</b>	80	10



### Outlet box

Thermoplastic  
For flush mounting and surface mounting  
Claw bracket can be snapped out  
Cover with snap lock  
Terminals: 5 x 6 mm<sup>2</sup>

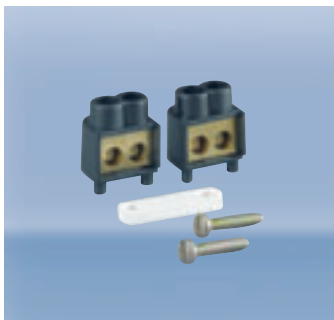
Colour	Article no.	Weight g/each	Pack. unit
white	<b>2505210</b>	90	10



### Base plate IP44

with two cable entries  
for outlet boxes 2505

Colour	Article no.	Weight g/each	Pack. unit
white	<b>2505018</b>	32	10



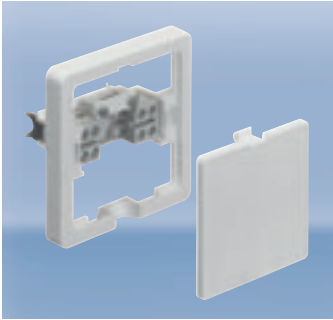
### Additional terminals and strain relief

2 Terminals 6 mm<sup>2</sup>  
can be snapped onto terminal strip  
for outlet boxes  
2505010/ 110/ 210

Colour	Article no.	Weight g/each	Pack. unit
black	<b>2505ZKS</b>	14	1

## Outlet boxes

with screw terminals – acc. to VDE 0606



**Outlet box**

Thermoplastic  
for flush mounting  
flat version  
Cover with snap lock  
Terminals: 5 x 2.5 mm<sup>2</sup>  
**extra flat – only 11 mm**

Colour	Article no.	Weight g/each	Pack. unit
white	<b>2506110</b>	61	10



**Outlet box**

Thermoplastic  
For flush mounting and surface mounting  
Claw bracket can be snapped out  
Cover with snap lock  
Terminals: 5 x 2.5 mm<sup>2</sup>

Colour	Article no.	Weight g/each	Pack. unit
white	<b>2510210</b>	87	10



**Outlet box**

For flush mounting and surface mounting  
Dowel fastening  
Terminals: 5 x 2.5 mm<sup>2</sup>

Colour	Article no.	Weight g/each	Pack. unit
white	<b>2508110</b>	78	10



**Outlet box**

Thermoplastic  
For flush mounting and surface mounting  
Claw bracket can be snapped out  
Cover with snap lock  
Terminals: 5 x 6 mm<sup>2</sup>

Colour	Article no.	Weight g/each	Pack. unit
white	<b>2510310</b>	102	10



**Outlet box**

For flush mounting and surface mounting  
Dowel fastening  
Terminals: 5 x 6 mm<sup>2</sup>

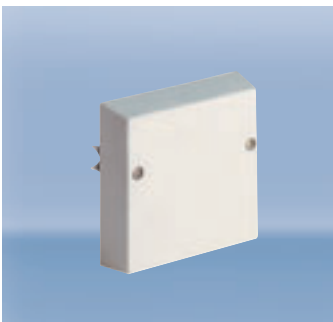
Colour	Article no.	Weight g/each	Pack. unit
white	<b>2508710*</b>	93	10



**Three-chamber outlet box**

Thermoplastic with in-wall box for flush mounting, flat version  
Cover with snap lock  
Terminals: 2 x 5 x 2.5 mm<sup>2</sup> and 1 x 2 x 2.5 mm<sup>2</sup>

Colour	Article no.	Weight g/each	Pack. unit
white	<b>2516110</b>	185	5



**Outlet box**

for flush mounting  
Terminals: 5 x 2.5 mm<sup>2</sup>

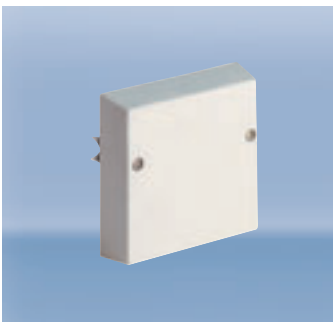
Colour	Article no.	Weight g/each	Pack. unit
white	<b>2509110*</b>	91	10



**Three-chamber outlet box**

For flush mounting and surface mounting, Dowel fastening  
Terminals: 5 x 2.5 mm<sup>2</sup> 2518210  
7 x 2.5 mm<sup>2</sup>  
Terminals: 5 x 6,0 mm<sup>2</sup> 2518610  
7 x 2.5 mm<sup>2</sup>

Colour	Article no.	Weight g/each	Pack. unit
white	<b>2518210*</b>	149	5
white	<b>2518610</b>	166	5



**Outlet box**

for flush mounting  
Terminals: 5 x 6 mm<sup>2</sup>

Colour	Article no.	Weight g/each	Pack. unit
white	<b>2509710*</b>	104	10

\* Discontinued product



**Safe electric connections are needed all around the world.**

As the inventor of the SCHUKO system, we have decades of experience with connection technology and the highest safety and technology standards for current-carrying connections.

We offer an extensive range of products with corresponding components for countries with their own system specifications. And, of course: operational safety and quality are the first priority.



# Plug connections Swiss system

acc. to SEV type 12, 13, 15, 23, 25



### Plug 10 A

acc. to SEV 6534 type 12  
splash-proof IP44

Colour	Article no.	Weight g/each	Pack. unit
light blue	<b>SEV12S</b>	79	20



### Connector 10 A

with collar and cover  
acc. to SEV 6535 type 13  
splash-proof IP44

Colour	Article no.	Weight g/each	Pack. unit
light blue	<b>SEV13K2</b>	132	10



### Plug 16 A

acc. to SEV 5934 type 23  
splash-proof IP44

Colour	Article no.	Weight g/each	Pack. unit
dark blue	<b>SEV23S</b>	80	20



### Connector 16 A

with collar and cover  
acc. to SEV 5934 type 23  
splash-proof IP44

Colour	Article no.	Weight g/each	Pack. unit
dark blue	<b>SEV23K2</b>	132	10



### Plug 10 A

acc. to SEV 6532 type 15  
splash-proof IP44

Colour	Article no.	Weight g/each	Pack. unit
orange	<b>SEV15S</b>	95	20



### Connector 10 A

with collar and cover  
acc. to SEV 6532 type 15  
splash-proof IP44

Colour	Article no.	Weight g/each	Pack. unit
orange	<b>SEV15K2</b>	135	10



### Plug 16 A

acc. to SEV 5932 type 25  
splash-proof IP44

Colour	Article no.	Weight g/each	Pack. unit
red	<b>SEV25S</b>	98	20



### Connector 16 A

with collar and cover  
acc. to SEV 5932 type 25  
splash-proof IP44

Colour	Article no.	Weight g/each	Pack. unit
red	<b>SEV25K2</b>	138	10



### Connector 10 A

acc. to SEV 6535 type 13  
Thermoplastic

Colour	Article no.	Weight g/each	Pack. unit
black	<b>SEV13KS</b>	34	10/100
white	<b>SEV13KW</b>	34	10/100



### Connector 16 A

acc. to SEV 5934 type 23  
Thermoplastic

Colour	Article no.	Weight g/each	Pack. unit
black	<b>SEV23KS</b>	34	10/100
white	<b>SEV23KW</b>	34	10/100

acc. to SEV type 13, 23, 30, 34 and adapters

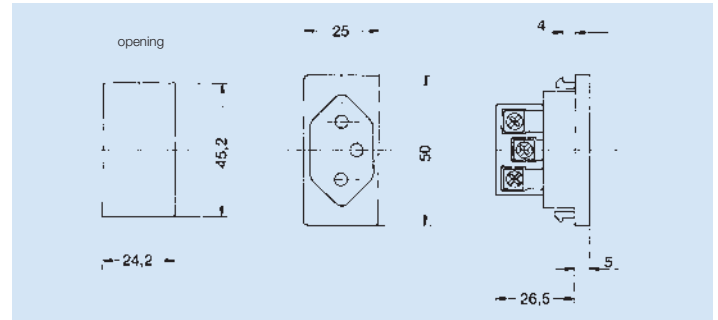


**Socket outlet**

**with screw terminals**

acc. to. SEV 6535 type 13, 10A / 250V  
acc. to. SEV 5934 type 23, 16A / 250V  
with snap-on mounting

Colour / type 13	Article no.	Weight g/each	Pack. unit
white	<b>SEV-111</b>	17	200
black	<b>SEV-112</b>	17	200
iron grey	<b>SEV-113</b>	17	200
red	<b>SEV-114</b>	17	200
orange	<b>SEV-117</b>	17	200
sw type 23	<b>SEV-122</b>	17	200

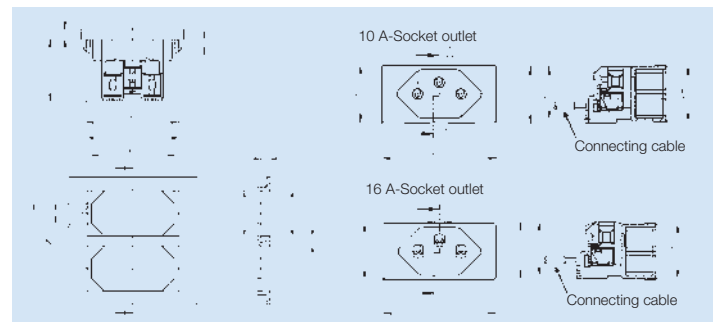


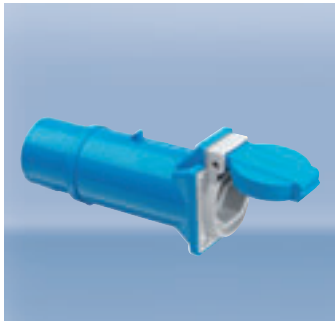
**Socket outlet**

**with screwless terminals**

acc. to. SEV 6535 type 13, 10A / 250V  
acc. to. SEV 5934 type 23, 16A / 250V  
with snap-on mounting

Colour / type 13	Article no.	Weight g/each	Pack. unit
white	<b>SEV1111</b>	17	200
black	<b>SEV1112</b>	17	200
iron grey	<b>SEV1113</b>	17	200
red	<b>SEV1114</b>	17	200
orange	<b>SEV1117</b>	17	200
sw type 23	<b>SEV1122</b>	17	200

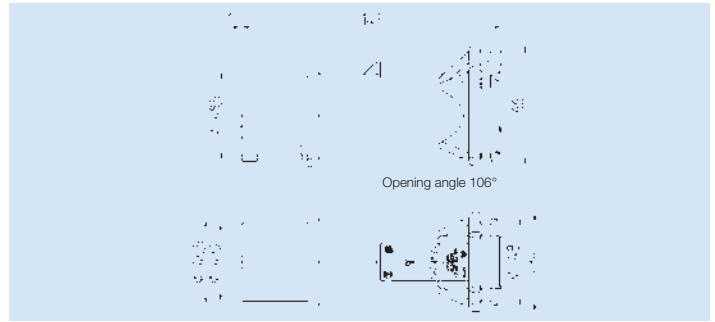




**Adapter**

CEE plug 3-pole, 16 A, 230 V,  
6h blue on  
socket outlet 1461965  
acc. to SEV 5934 - type 23 / 16A  
splash-proof IP44

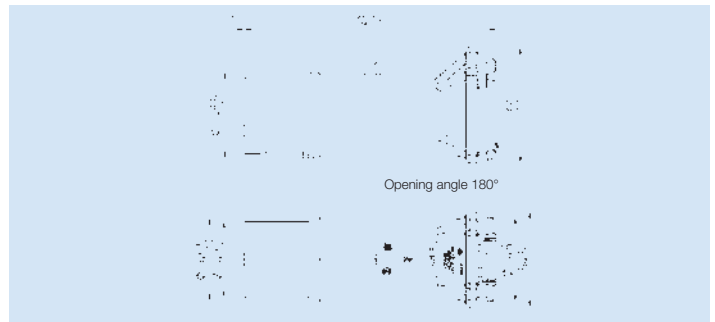
	Article no.	Weight g/each	Pack. unit
	<b>SEVK23S</b>	165	5



**Adapter**

CEE plug 3-pole, 16A, 230V,  
6h blue on  
SCHUKO socket outlet 1461050  
splash-proof IP44

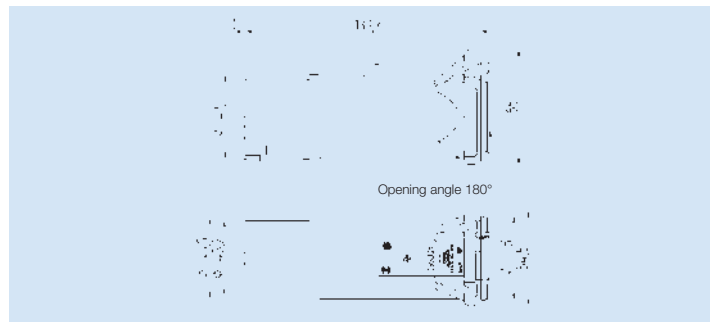
	Article no.	Weight g/each	Pack. unit
	<b>ADP050</b>	165	5



**Adapter**

CEE plug 3-pole, 16 A, 230 V,  
6h blue on  
socket outlet 1462052  
with earthing system acc. to CEE/V  
with higher protection cover  
(child protection)  
splash-proof IP44

	Article no.	Weight g/each	Pack. unit
	<b>ADP052</b>	165	5

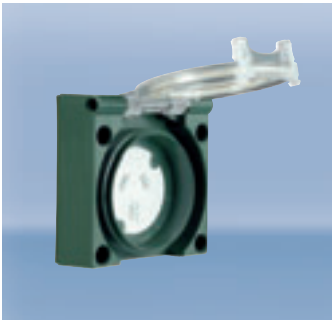


**Country-specific adapters with 3-pole CEE plug**

**Other country-specific variations available on request!**

## Plug connections Australian system

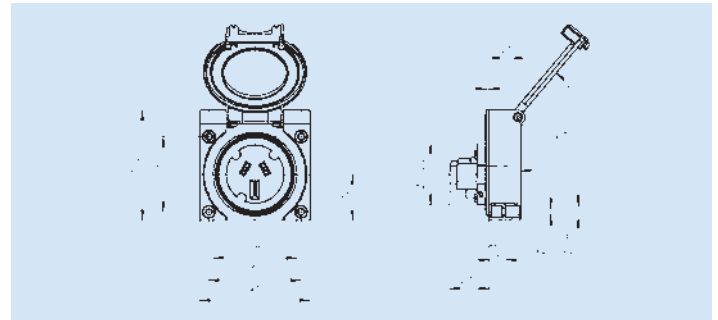
acc. to Australian Standard AS / NZS 3112



### Panel-mounted socket outlet 3-pole / 250V

Colour green  
water jet protected IP66

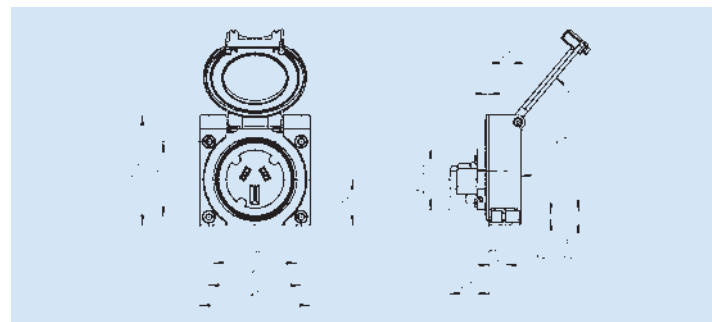
Ampere	Article no.	Weight g/each	Pack. unit
10 A	<b>310D062</b>	119	10
15 A	<b>315D062</b>	119	10



### Panel-mounted socket outlet 3-pole / 250V

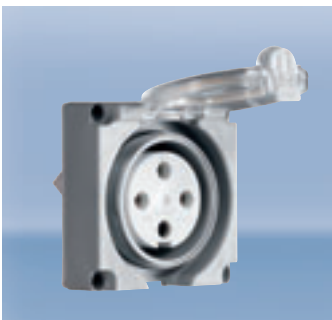
Colour grey  
water jet protected IP66

Ampere	Article no.	Weight g/each	Pack. unit
10 A	<b>310D066</b>	119	10
15 A	<b>315D066</b>	119	10
20 A	<b>320D066</b>	119	10



## Plug connections Australian system

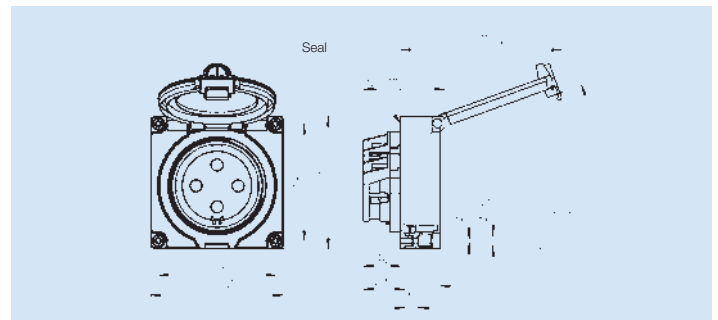
acc. to Australian Standard AS / NZS 3123



### Panel-mounted socket outlet 4-pole / 500V

Colour grey  
water jet protected IP66

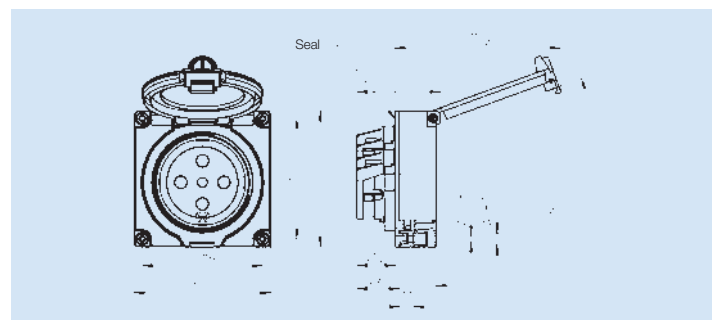
Ampere	Article no.	Weight g/each	Pack. unit
32 A	<b>432D060</b>	183	10
40 A	<b>440D060</b>	183	10
50 A	<b>450D060</b>	183	10



### Panel-mounted socket outlet 5-pole / 500V

Colour grey  
water jet protected IP66

Ampere	Article no.	Weight g/each	Pack. unit
32 A	<b>532D060</b>	193	10
40 A	<b>540D060</b>	193	10
50 A	<b>550D060</b>	193	10



## Plug connections

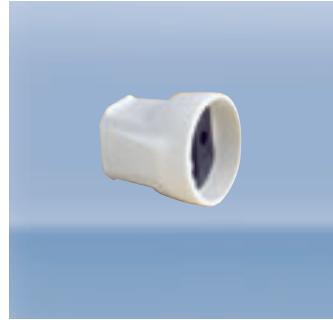
without earthing system



### Angle plug

Thermoplastic  
without earthing system

Colour	Article no.	Weight g/each	Pack. unit
white	<b>0107110</b>	28	50



### Connector

Thermoplastic  
without earthing system

Colour	Article no.	Weight g/each	Pack. unit
white	<b>0176110</b>	28	20



### Surface-mounted quadruple socket outlet

without earthing system

Colour	Article no.	Weight g/each	Pack. unit
white	<b>1804010</b>	159	5



### Bottom plate

for 1804 and 1694

Colour	Article no.	Weight g/each	Pack. unit
white	<b>0004060</b>	32	10



### Flush-mounted quadruple socket outlet

without earthing system

Colour	Article no.	Weight g/each	Pack. unit
white	<b>0124012</b>	82	5

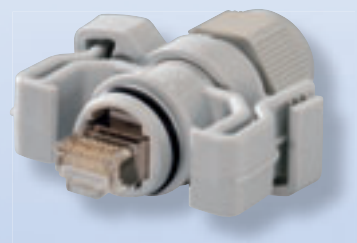
**Industrial Ethernet  
Plug Connections –  
Application-oriented  
for industry**





**The trend in production systems is going more and more towards decentralised, modular automation. This makes a failure-free communication of process and production data necessary. Most faults in industry networks are caused by contact problems.**

- Networking possibility from production up to the office level.
- Error-free transmission of Ethernet protocols.
- Rugged and maintenance-free.
- For short-term or continuous use for service purposes.





**Degree of protection IP55**

Dust and water jet protected.  
For short-term service purposes.



**Degree of protection IP67**

For daily continuous use in rough industry environments.  
Dust and water-proof.



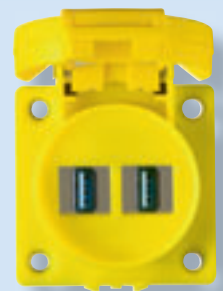
**Industrial Ethernet connections must also function reliably under extreme production conditions. Therefore we have complete solutions in the IP 55 and IP 67 degrees of protection.**



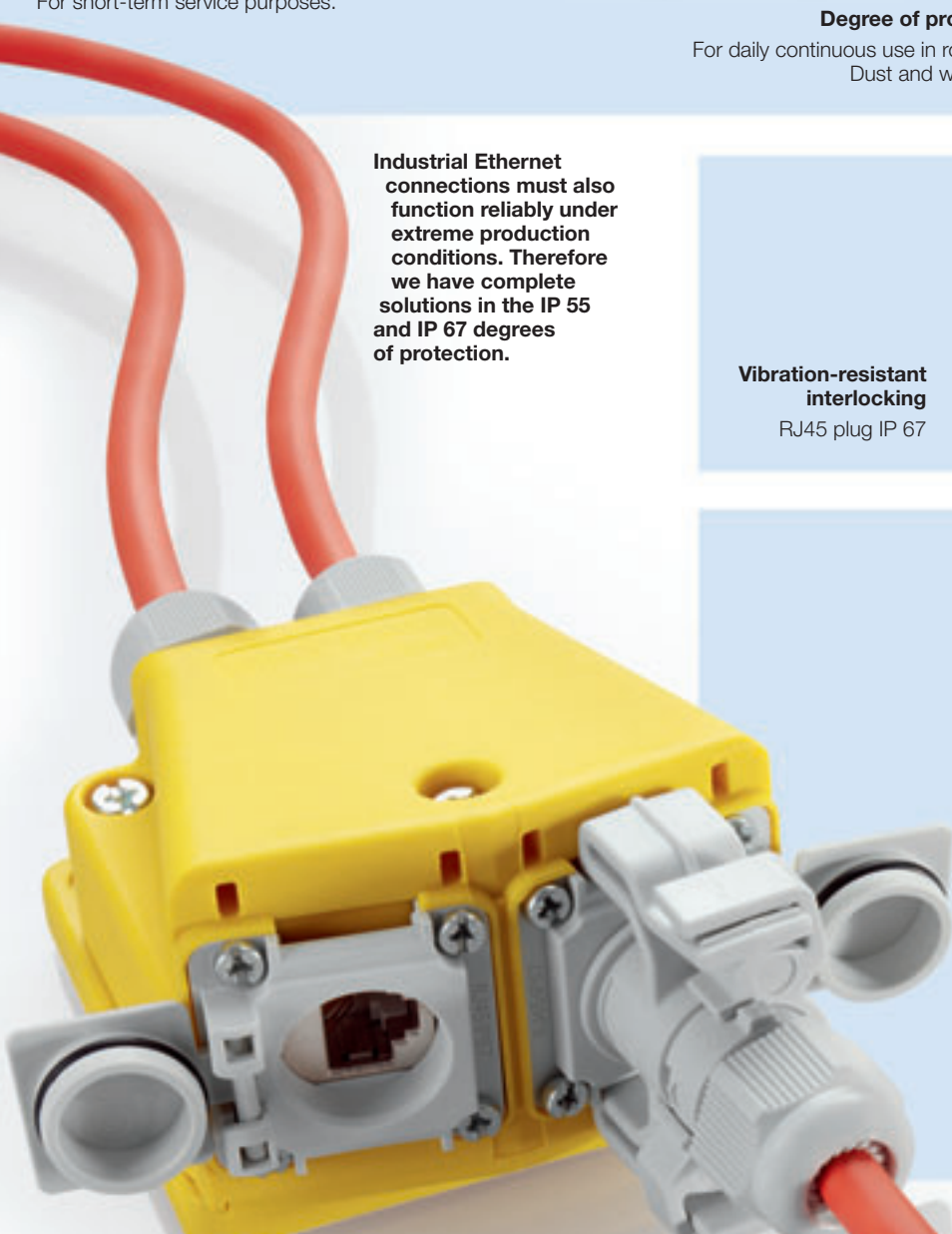
**Vibration-resistant interlocking**

RJ45 plug IP 67

**USB-modules**



**RJ45 Cat. 6 modules**





## Where innovation is a tradition

Setting market standards with new developments has always been a fundamental concern for ABL SURSUM. Such is the idea behind the SCHUKO system, to this day one of the most popular plug connection systems in the world and the creation of ABL founder Albert Büttner.

The first screw-in circuit breaker with an electromagnetic release was created at SURSUM, founded in 1912 by Wilhelm Leyhausen. These two inventions were the prelude to a series of innovative developments which have given the two companies a central role in the annals of consumer electronics for decades.

In 1986 the two traditional medium-sized companies merged; plug connection specialist ABL and circuit breaker specialist SURSUM formed one highly productive company – now known as ABL SURSUM Bayerische Elektrozubehör GmbH & Co.KG.



---

## The product range of ABL SURSUM



Regardless of whether you need building installation, industrial installation, switchgear manufacturing or cable pre-assembly: Whatever you need, you can be sure that you will find the right solution in our extensive range of approx. 7,000 products.

If you need a specific solution, let us know – our experts will find it!

### New products for new market requirements

Even today, ABL SURSUM is continuously developing new innovative market-driven products to ensure constant development of installation technology.

We meet the daily installation demands for ever more effectiveness and speed with our screwless terminal technology “plug2power”, to be found in our **miniature circuit breakers, our distribution boards, CEE plug connections, socket outlets and outlet boxes.**

Our new generation of miniature circuit breakers, with their completely new design and technology, are divided into the three product ranges S, SL and T, and allow us to offer you numerous advantages in terms of functionality, compatibility, and quality. This has created an ideal complete system for the wide-ranging installation requirements for both craftsmen and industry. These products are so attractive because of the low height, clear design, clearly legible labels and the new mounting system, which allows for removing from a busbar combination - below (“singlefix”) with the S and SL series and both above and below with the T series (“twinfix”).



**Miniature circuit breakers are also available as UL 508 and CSA-22.2 No.14 versions with the B, C, D, E, G and Z characteristics.**





**RCCBs, RCBOs**

ABL SURSUM offers an extensive range of RCCBs to provide protection from dangerous shock currents or as fire-protection measures.

Regardless of whether you need a short-time delayed switch-off e.g. for the operation of suppressor capacitors or need a selective switch-off, whether it needs to be sensitive to pulsating current or universal current, you will find what you need in our range.

Combined RCBOs offer the possibility of implementing these person and line protection measures in one device.



**DIN rail panel products**

Off and toggle switches, 1 or multiple poles, with or without light signals, buttons, SCHUKO sockets for DIN-rails, installation/storage/control and time relays, mechanical impulse switches, touch dimmers, network activators, installation contactors, staircase lighting timers, time switches and transformers – our range of DIN rail panel products is as varied as the requirements of modern domestic installation.

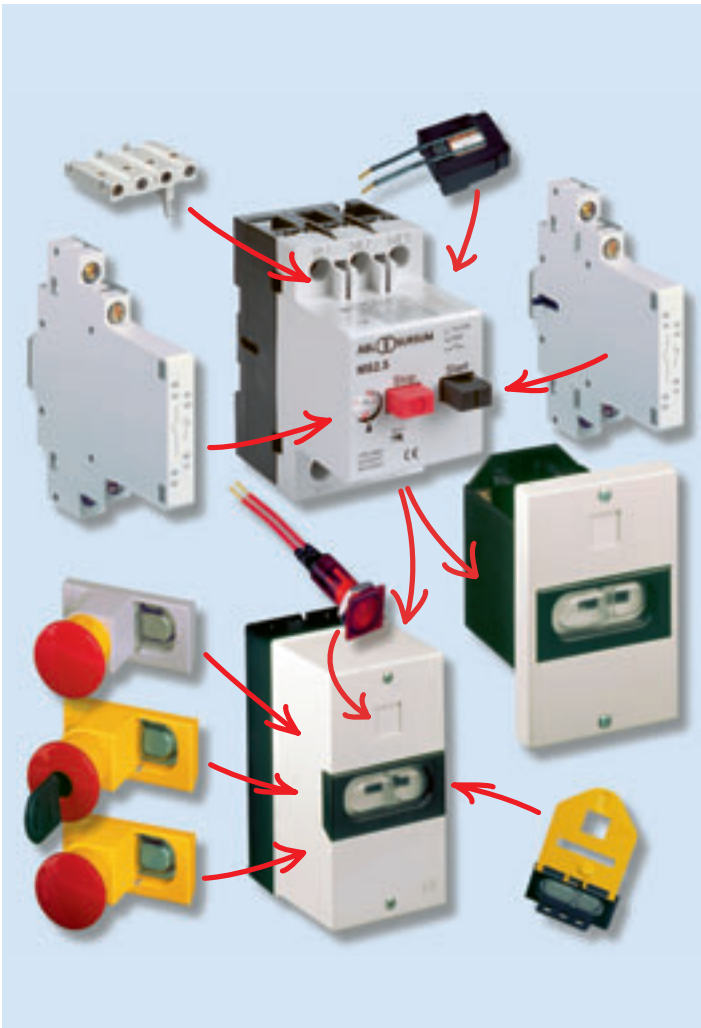
MADE IN  GERMANY





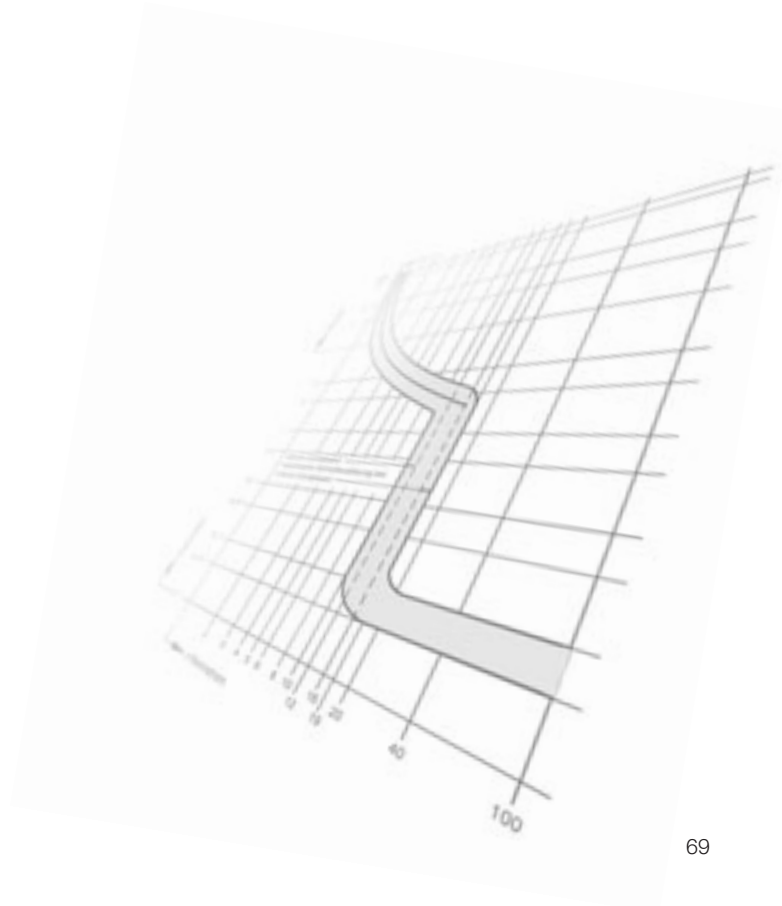
### Distribution boards

And to make sure that these DIN rail panel products can be installed in a proper manner and more importantly as specified, we of course also supply distribution boards in different sizes and versions.



### Motor protective circuit breakers

Motor protective circuit breakers to be installed internally or externally, in MS or MA versions for all kinds of purposes, each with extensive system accessories - as well as transformer protective circuit breakers, are also an important part of ABL SURSUM's catalogue.

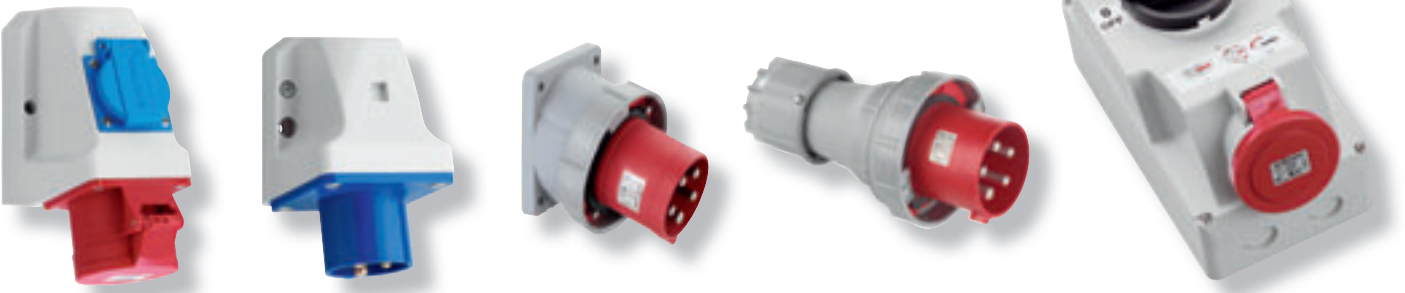




**Plugs and sockets**

We provide the best CEE connections: for plugs and connectors, appliance/ wall-mounted/ flanged socket outlets, input plugs, inverter plugs, container/ extra-low voltage/ boat and caravan plug connections, on adapters or multiple plugs...

CEE plugs and sockets by ABL SURSUM can do more than just transfer electricity. They support everyday work effectively and reliably, because they withstand the toughest conditions. It doesn't matter whether they are subjected to cold or heat, dust and water or pressure, strain and impact in the most diverse requirements in extreme working conditions. You can rely on our products – in every situation, no matter where.



**The most innovative electrotechnology for caravans and boats**

Infeed sockets, multi-function outlets for electricity and TV/ satellite reception, fresh water connections and diesel filling connections, electricity distribution boxes, adapters, plugs and connectors, socket outlet cases or strips, but also lighting scene controls for boats and caravans ...

our product range is as varied as the requirements in this area!



**Socket outlet combinations, socket outlet cases, free-standing distribution units and power cubes**

Large variation for a large variety of different uses is what sets this extensive ABL SURSUM product range apart.

Almost unlimited combination possibilities with CEE and SCHUKO socket outlets in the degrees of protection IP44 and IP67, as well as the protection provided by high performance RCCBs and miniature circuit breakers, can be manufactured for almost every individual need.

And with the sockets available in many different country versions, our combinations are also very well suited for international use.

These combinations from ABL SURSUM are available in different versions: stationary, mobile and for suspension. The housings are made of high-quality thermoplastics in different qualities or from solid rubber and combine excellent mechanical, thermal and electric characteristics.



Describing a product range of over 7,000 articles would go beyond the scope of this publication.

Detailed information can be found at:  
[www.abl-sursum.com](http://www.abl-sursum.com)

Article no.	Page	Article no.	Page	Article no.	Page
0004060	61	1361102	34	1461057	38
0107110	61	1361140	31	1461060	32
0124012	61	1361142	34	1461062	35
0176110	61	1361150	31	1461066	36
1001075	18	1361152	34	1461067	38
1101000	39	1361160	31	1461100	32
1101010	39	1361162	34	1461102	35
1101200	40	1362100	31	1461140	32
1101210	40	1362102	34	1461150	32
1105010	18	1362140	31	1461152	35
1107100	18	1362142	34	1461155	32
1107110	18	1362150	31	1461160	32
1111000	39	1362152	34	1461162	35
1111010	39	1362160	31	1461300	32
1111400	39	1362162	34	1461350	32
1111402	41	1400380	18	1461360	32
1111410	39	1400390	18	1461500	33
1111412	41	1401300	40	1461550	33
1111510	39	1401310	40	1461560	33
1111610	39	1405090	22	1461655	32
1115000	18	1406090	22	1461850	33
1115007	18	1411400	40	1461965	36
1115010	18	1411410	40	1462002	35
1115017	18	1415090	22	1462050	33
1116100	18	1416090	22	1462052	35
1116110	18	1418000	19	1462102	35
1129190	21	1418050	19	1462150	33
1149190	21	1418060	19	1462152	35
1149290	21	1418080	19	1462162	35
1151010	40	1419140	20	1471360	48
1169090	21	1419170	20	1471460	47
1169290	21	1419190	20	1471461	47
1172050	19	1428150	19	1471497	47
1173293	22	1428160	19	1471601	44
1175000	18	1428180	19	1473092	23
1176100	18	1429190	20	1473190	22
1176110	18	1439190	20	1473292	23
1189090	21	1449190	21	1473592	23
1189290	21	1461000	32	1473597	23
1199090	21	1461002	35	1478050	19
1199290	21	1461005	36	1478060	19
1199392	23	1461006	36	1478080	19
1199592	23	1461007	38	1479040	20
1201200	40	1461040	32	1479070	20
1201210	40	1461050	32	1479090	20
1361100	31	1461052	35	1479091	23

## Article number directory

Article no.	Page	Article no.	Page	Article no.	Page	Article no.	Page
1479092	23	1987850	26	1632MSM	45	SEV12S	57
1479290	20	1987930	27	1632PLM	45	SEV13K2	57
1479291	23	1987951	26	2504ZKS	53	SEV13KS	57
1479292	23	1989830	27	2505ZKS	54	SEV13KW	57
1489090	20	1989850	26	2508710	55	SEV15K2	57
1489290	20	2201110	50	2509110	55	SEV15S	57
1491008	24	2206110	50	2509710	55	SEV23K2	57
1491010	24	2213510	50	2518210	55	SEV23KS	57
1492008	24	2218490	47	310D062	60	SEV23KW	57
1492010	24	2300010	51	310D066	60	SEV23S	57
1493008	24	2302010	51	315D062	60	SEV25K2	57
1493010	24	2303110	51	315D066	60	SEV25S	57
1494110	24	2307100	51	320D066	60	SEVK23S	59
1494210	24	2407110	50	432D060	60	UL12500	37
1499090	21	2421110	50	440D060	60	UL12505	37
1499290	21	2429090	50	450D060	60	UL12506	37
1632490	47	2441860	51	532D060	60	USBS13	65
1632497	49	2451510	50	540D060	60	USBS23	65
1632500	45	2489090	50	550D060	60	Z35.0DG	65
1632602	45	2491010	50	ADP050	59		
1640110	25	2504010	53	ADP052	59		
1650110	25	2504110	53	BS13630	37		
1653217	25	2504210	53	CZ24-48	36		
1654217	25	2505010	54	D 31.00	48		
1655217	41	2505018	54	D 51.00	48		
1679000	19	2505110	54	DG-RJ45	65		
1679002	23	2505210	54	RJ45K13	65		
1679050	19	2506110	55	RJ45K23	65		
1679060	19	2508110	55	RJ45S13	65		
1679062	23	2510210	55	RJ45S23	65		
1679080	19	2510310	55	RJSIP67	65		
1679082	23	2516110	55	RJUSB13	65		
1694010	24	2518610	55	SEV-100	36		
1804010	61	8632316	38	SEV-111	58		
1902010	24	8798416	38	SEV1111	58		
1903010	24	8864200	38	SEV1112	58		
1973930	27	8975609	20	SEV1113	58		
1973951	26	8975629	23	SEV1114	58		
1976830	27	8987296	20	SEV1117	58		
1976850	26	1461SB	38	SEV-112	58		
1977730	27	1471AUM	44	SEV1122	58		
1977751	26	1471ESM	44	SEV-113	58		
1977951	26	1471MSM	44	SEV-114	58		
1979830	27	1471PLM	44	SEV1148	36		
1979850	26	1632AUM	45	SEV-117	58		
1987830	27	1632ESM	45	SEV-122	58		

2009/10



**ABL SURSUM  
Bayerische Elektrozubehör  
GmbH & Co. KG**

Ottenssooser Strasse 22  
D-91207 Lauf / Pegnitz  
Germany

Postfach 10 02 47  
D-91192 Lauf / Pegnitz  
Germany

Telephone: +49 (0)9123 188-0  
Facsimile: +49 (0)9123 188-188

E-Mail: [info@abl-sursum.com](mailto:info@abl-sursum.com)  
Internet: [www.abl-sursum.com](http://www.abl-sursum.com)