

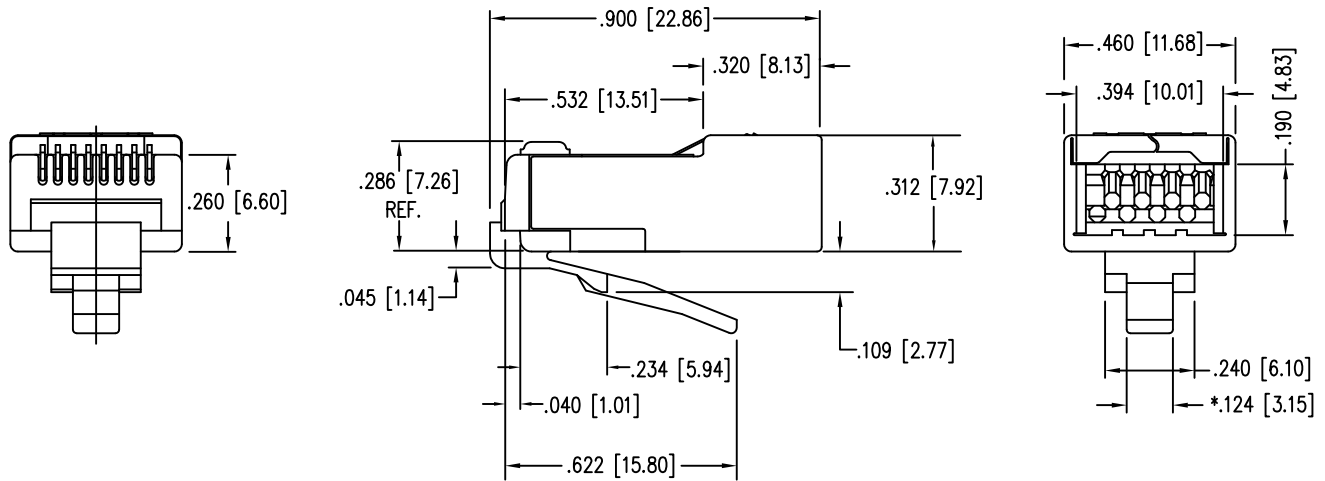
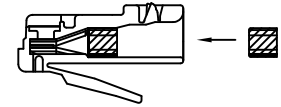
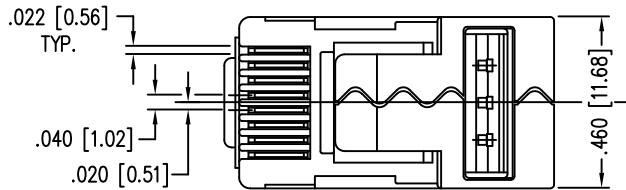
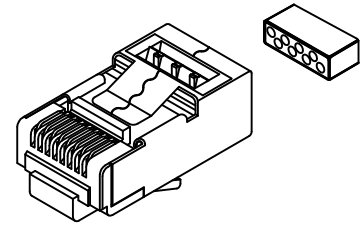
# Sentinel Connector Systems Inc.

1953 Stanton Street

York, Pa. 17404

PART NO.: 111S08080016-34

- \* EIGHT CONDUCTOR SHIELDED MODULAR PLUG
- \* FOR HIGH SPEED APPLICATION
- \* FOR CONDUCTORS WITH AN O.D. RANGE OF .037/.042
- \* USE FOR SOLID OR STRANDED CONDUCTORS
- \* PRODUCT REQUIRES A LOAD BAR



**SPECIFICATIONS :**

CONTACT MATERIAL:	PHOSPHOR BRONZE - .012 THK
CONTACT PLATING:	50 MICRO-INCH : OTHER PLATING OPTIONS AVAILABLE SELECTIVE 24 CARAT HARD GOLD PLATE IN CONTACT AREA OVER 100 MICRO-INCH MINIMUM NICKEL PLATE PER CURRENT SELECTIVE GOLD PLATING REQUIREMENTS.
PLUG MATERIAL:	POLYCARBONATE
SHIELD MATERIAL:	.012 THK CDA-260 1/4 HARD BRASS
SHIELD PLATING:	100% TIN, 100-150 MICRO-INCH TIN PLATED
PLUG TOLERANCES AND DIMENSIONS:	COMPLIES WITH F.C.C REQUIREMENTS
FLAME AUTO EXTINGUISH	94-V0 - File# E188111
OPERATION TEMPERATURE:	-40°C TO +70°C
INSERTION/EXTRACTION LIFE:	1000 CYCLES
CONTACT RESISTANCE:	10 MILLOHMS MAX.
CURRENT/VOLTAGE:	30 VAC/42 VDC AT 1.5 AMPS
(RoHS COMPLIANT)	

