

MUSHROOM PUSHBUTTON, 22MM, ROUND, METAL, SHINY, RED, 40MM, LATCHING, PULL TO UNLATCH



Figure similar

product brand name		SIRIUS ACT
Product designation		Commanding and signaling devices
Design of the product		Mushroom pushbutton

Actuator:

Design of the operating mechanism		mushromm pushbutton
Manner of function of the actuating element		Latching
Product expansion optional Light source		No
Color		
• of the actuating element		Red
Material of the actuating element		plastic
Shape of the actuating element		round
Outer diameter of the actuating element	mm	40
Type of unlocking device		pull-to-unlatch mechanism
Number of switching positions		2

Front ring:

Product component front ring		Yes
Design of the front ring		Standard
Material of the front ring		Metal, high gloss
Color of the front ring		silver

General technical data:

Product function		
• EMERGENCY OFF function		No
• EMERGENCY STOP function		No
Vibration resistance		

<ul style="list-style-type: none"> • acc. to IEC 60068-2-6 		10 ... 500 Hz: 5g
Operating frequency maximum	1/h	1 800
Mechanical service life (switching cycles)		
<ul style="list-style-type: none"> • typical 		500 000
Equipment marking		
<ul style="list-style-type: none"> • acc. to DIN EN 61346-2 		S
<ul style="list-style-type: none"> • acc. to DIN EN 81346-2 		S

Ambient conditions:

Ambient temperature		
<ul style="list-style-type: none"> • during operation 	°C	-25 ... +70
<ul style="list-style-type: none"> • during storage 	°C	-40 ... +80

Installation/ mounting/ dimensions:

Height	mm	40
Width	mm	40
Shape of the installation opening		round
Mounting diameter	mm	22

Certificates/ approvals:

Further information

Information- and Downloadcenter (Catalogs, Brochures,...)

<http://www.siemens.com/industrial-controls/catalogs>

Industry Mall (Online ordering system)

<http://www.siemens.com/industrymall>

Cax online generator

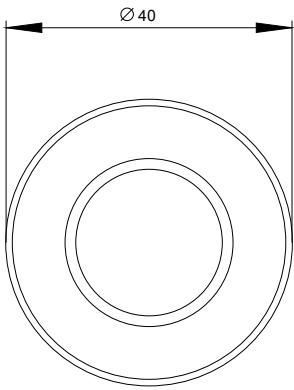
<http://support.automation.siemens.com/WW/CAXorder/default.aspx?lang=en&mlfb=3SU10501BA200AA0>

Service&Support (Manuals, Certificates, Characteristics, FAQs,...)

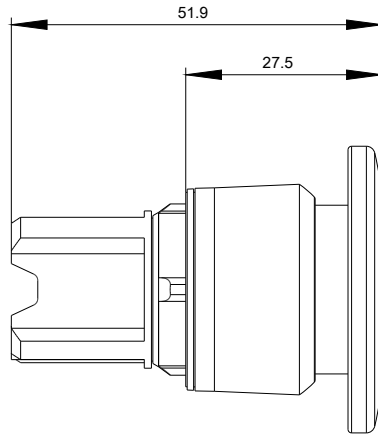
<http://support.automation.siemens.com/WW/view/en/3SU10501BA200AA0/all>

Image database (product images, 2D dimension drawings, 3D models, device circuit diagrams, EPLAN macros, ...)

http://www.automation.siemens.com/bilddb/cax_de.aspx?mlfb=3SU10501BA200AA0&lang=en



last modified:



09.03.2015