



22MM METAL ROUND ACTUATOR: SELECTOR SWITCH
MOMENTARY CONTACT TYPE 3 SWITCH POSITIONS I-O-II NON-ILLUMINATED WITH HOLDER BLACK

Figure similar

Design of the product	Single device round
Enclosure:	
Number of control points	1
Actuator:	
Design of the operating mechanism	selector switch
Manner of function of the actuating element	Momentary contact type
Product expansion optional Light source	No
Color	
• of the actuating element	black
Material of the actuating element	plastic
Outer diameter of the actuating element	28.5 mm
Type of unlocking device	without
Number of switching positions	3
Actuating angle	
• clockwise	50°
• anticlockwise	50°
Front ring:	
Product component front ring	Yes
Design of the front ring	Standard
Material of the front ring	metal
Color of the front ring	silver
Holder:	
Material of the holder	Metal
General technical data:	

Product function	
• EMERGENCY OFF function	No
• EMERGENCY STOP function	No
Vibration resistance	
• acc. to IEC 60068-2-6	20 ... 200 Hz: 5g
Operating frequency maximum	1 000 1/h
Mechanical service life (switching cycles)	
• typical	300 000
Protection class IP	IP67
Equipment marking	
• acc. to DIN 40719 extended according to IEC 204-2 acc. to IEC 750	S
• acc. to DIN EN 61346-2	S
• acc. to DIN EN 81346-2	S



Ambient conditions:

Ambient temperature	
• during operation	-25 ... +70 °C
• during storage	-40 ... +80 °C

Installation/ mounting/ dimensions:

Mounting type	front mounting
Shape of the installation opening	round
Mounting diameter	22 mm

Certificates/ approvals:

General Product Approval		Declaration of Conformity	Test Certificates	Shipping Approval
 CSA	 UL		 EG-Konf.	Special Test Certificate  ABS

Shipping Approval				other	
 DNV	 LRS	 PRS	 RINA	Confirmation	Environmental Confirmations

other
other

Further information

Information- and Downloadcenter (Catalogs, Brochures,...)

<http://www.siemens.com/industrial-controls/catalogs>

Industry Mall (Online ordering system)

<http://www.siemens.com/industrymall>

Cax online generator

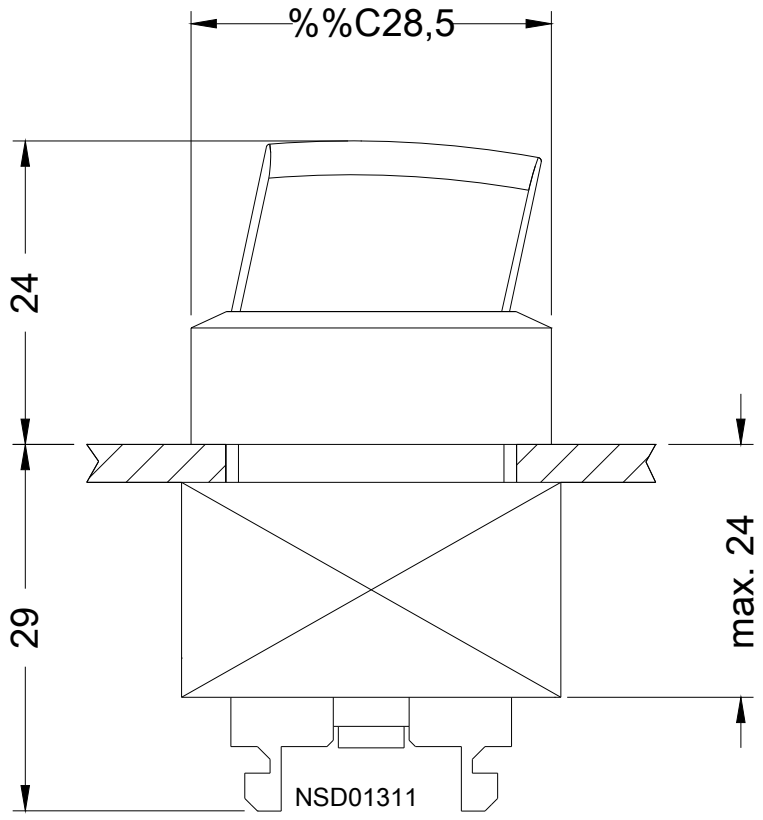
<http://support.automation.siemens.com/WW/CAXorder/default.aspx?lang=en&mlfb=3SB35002EA11>

Service&Support (Manuals, Certificates, Characteristics, FAQs,...)

<https://support.industry.siemens.com/cs/ww/en/ps/3SB35002EA11>

Image database (product images, 2D dimension drawings, 3D models, device circuit diagrams, EPLAN macros, ...)

http://www.automation.siemens.com/bilddb/cax_de.aspx?mlfb=3SB35002EA11&lang=en



last modified:

28.04.2015