

Front plate - VS-SI-FP-2F - 1658532

Please be informed that the data shown in this PDF Document is generated from our Online Catalog. Please find the complete data in the user's documentation. Our General Terms of Use for Downloads are valid (<http://phoenixcontact.com/download>)

Front plate, plastic, with two Freenet slots



RoHS

Key Commercial Data

Packing unit	1 pc
GTIN	
GTIN	4046356162876
Weight per Piece (excluding packing)	17.440 g
Custom tariff number	85389099
Country of origin	Germany

Technical data

Dimensions

Height	45 mm
Width	51 mm
Length	87.5 mm

Ambient conditions

Ambient temperature (operation)	-10 °C ... 60 °C
---------------------------------	------------------

General

Color	gray
Material	PBT (Front plate)
Flammability rating according to UL 94	V0
Assembly instructions	suitable for all mounting frames

Standards and Regulations

Flammability rating according to UL 94	V0
--	----

Environmental Product Compliance

Front plate - VS-SI-FP-2F - 1658532

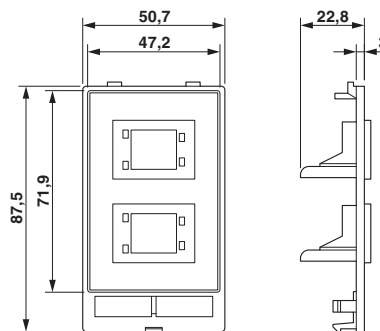
Technical data

Environmental Product Compliance

China RoHS	Environmentally friendly use period: unlimited = EFUP-e
	No hazardous substances above threshold values

Drawings

Dimensional drawing



Dimensional drawing

Classifications

eCl@ss

eCl@ss 4.0	27140816
eCl@ss 4.1	27140816
eCl@ss 5.0	27189239
eCl@ss 5.1	27189200
eCl@ss 6.0	27189200
eCl@ss 7.0	27189217
eCl@ss 8.0	27189217
eCl@ss 9.0	27189217

ETIM

ETIM 2.0	EC000007
ETIM 3.0	EC000007
ETIM 4.0	EC000007
ETIM 5.0	EC000456
ETIM 6.0	EC000456

UNSPSC

UNSPSC 6.01	31261501
UNSPSC 7.0901	31261501
UNSPSC 11	31261501
UNSPSC 12.01	31261501

Front plate - VS-SI-FP-2F - 1658532

Classifications

UNSPSC

UNSPSC 13.2	39121302
-------------	----------

Accessories

Accessories

Female insert

RJ45 socket insert - VS-08-BU-RJ45-5-F/PK - 1652936



RJ45 socket insert, degree of protection: IP20, number of positions: 8, CAT5 (IEC 11801:2002), material: Copper alloy, connection method: IDC, connection cross section: AWG 24- 22

RJ45 socket insert - VS-08-BU-RJ45-6-F/PK - 1652949



RJ45 socket insert, degree of protection: IP20, number of positions: 8, connection method: IDC, connection cross section: AWG 26- 22

USB female insert - VS-04-BUA-FK-F/IP67 - 1653854



USB socket insert, 4-pos., socket USB type A on flat-ribbon cable terminal strip, pitch 2.54, for the Freenet system in the panel mounting frame, IP20 terminal outlet, 19" patch panel and service interface

USB female insert - VS-04-BUB-FK-F/IP67 - 1653867



USB socket insert, 4-pos., socket USB type B on flat-ribbon cable terminal strip, pitch 2.54, for the Freenet system in the panel mounting frame, IP20 terminal outlet, 19" patch panel and service interface

Fiber optics connector (device side)

Front plate - VS-SI-FP-2F - 1658532

Accessories

Fiber optic coupling - VS-SCRJ-GOF-KU - 1654358



SC-RJ coupling insert, duplex, for VS-PP-19-1HE-16-F patch panel, VS-TO...F... terminal outlets, and VS-SI-FP-2F front plate, can be used for GOF (multi-mode and single mode), HCS, and polymer fiber types

Marking material

Marker labels - VS-SI-BZ - 1656660



Marker label, plastic, plate with 20 labels