

## D-SUB sleeve housings - VS-09-T-2M16 - 1688353

Please be informed that the data shown in this PDF Document is generated from our Online Catalog. Please find the complete data in the user's documentation. Our General Terms of Use for Downloads are valid (<http://phoenixcontact.com/download>)




D-SUB sleeve housings, degree of protection: IP67, material: PA, cable outlet: Angled, size of housing: 1, color: gray

### Your advantages

- ✓ IP67 protection class
- ✓ Two cable outlets ideal for hybrid applications



### Key Commercial Data

Packing unit	5 pc
Minimum order quantity	5 pc
GTIN	 4 017918 817503
GTIN	4017918817503
Weight per Piece (excluding packing)	39.200 g
Custom tariff number	85472000
Country of origin	Germany
Note	Made to Order (non-returnable)

### Technical data

#### Mechanical characteristics

Insertion/withdrawal cycles	≥ 1000
External cable diameter	3 mm ... 9 mm
Cable outlet	Angled
Color	gray
Degree of protection	IP67
Type	D-SUB 9
Size of housing	1
No. of cable outlets	2
Type of the screw connection	M16

# D-SUB sleeve housings - VS-09-T-2M16 - 1688353

## Technical data

### Ambient conditions

Ambient temperature (operation)	-40 °C ... 80 °C
Degree of protection	IP67 (when plugged in)

### Material data

Flammability rating according to UL 94	V0
Housing material	PA
Height	24 mm

### Electrical characteristics

Degree of pollution	2
---------------------	---

### Standards and Regulations

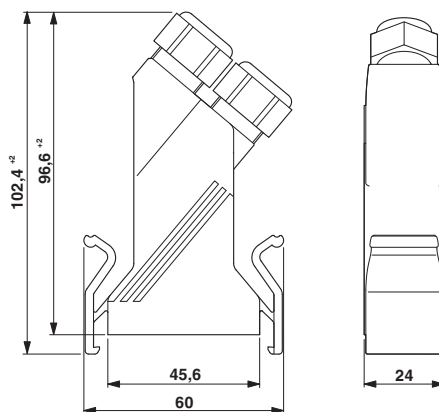
Flammability rating according to UL 94	V0
--	----

### Environmental Product Compliance

China RoHS	Environmentally friendly use period: unlimited = EFUP-e
	No hazardous substances above threshold values

## Drawings

Dimensional drawing



D-SUB sleeve housings

## Classifications

eCl@ss

eCl@ss 4.0	27140816
eCl@ss 4.1	27260701
eCl@ss 5.0	27260701
eCl@ss 5.1	27261200
eCl@ss 6.0	27261200

# D-SUB sleeve housings - VS-09-T-2M16 - 1688353

## Classifications

### eCl@ss

eCl@ss 7.0	27440202
eCl@ss 8.0	27440202
eCl@ss 9.0	27440202

### ETIM

ETIM 2.0	EC000437
ETIM 3.0	EC000437
ETIM 4.0	EC000437
ETIM 5.0	EC000437
ETIM 6.0	EC000437

### UNSPSC

UNSPSC 6.01	31261501
UNSPSC 7.0901	31261501
UNSPSC 11	31261501
UNSPSC 12.01	31261501
UNSPSC 13.2	31261501

## Approvals

### Approvals

---

Approvals

EAC

---

Ex Approvals

---

### Approval details

EAC		B.01742
-----	--	---------

## Accessories

Accessories

Coding element

## D-SUB sleeve housings - VS-09-T-2M16 - 1688353

### Accessories

Coding profile - CP-HCC 4 - 1600027

Coding profile, pitch: 0 mm, number of positions: 1, color: red



---

### Data plug

D-SUB EMC inner sleeve - VS-09-TI-2EMV - 1688476



D-SUB EMC inner sleeve, for sleeve housing VS-09-..., shell size 1, shielded

---

### Device marking

Zack marker strip - ZBN 18:UNBEDRUCKT - 2809128



Zack marker strip, Strip, white, unlabeled, can be labeled with: CMS-P1-PLOTTER, PLOTMARK, mounting type: snap into tall marker groove, for terminal block width: 18 mm, lettering field size: 18 x 5 mm

---

### Pressure nut

D-SUB pressure nut - VS-M16 (3-6) - 1688450



D-SUB cap nut with line seal, for sleeve housing VS-09-..., conductor diameter of 3 mm ... 6 mm

---

D-SUB pressure nut - VS-M16 (5-9) - 1688447



D-SUB cap nut with line seal, for sleeve housing VS-09-..., conductor diameter of 5 mm ... 9 mm

---

### Protective cap

## D-SUB sleeve housings - VS-09-T-2M16 - 1688353

### Accessories

Filler plugs - Q-PROT 9/11 - 1670235



Closing cap for Pg9/Pg11 to close unoccupied connections

---

Phoenix Contact 2019 © - all rights reserved  
<http://www.phoenixcontact.com>