



Ordering number C11415_STRADA-T-DN

| | | | |
|-----------------|------------------|-------------|--------------|
| Family | Strada-T | FWHM | Asym degrees |
| Type | Lens | Efficiency | 92 % |
| LED | NVSxx19A | cd/lm | - |
| Color | Clear | Gerber File | Available |
| Diameter | 19.8 x 15.5 mm | | |
| Height | 8.75 mm | | |
| Style | Rectang | | |
| Optic Material | PMMA | | |
| Holder Material | - | | |
| Fastening | Screw, pin, glue | | |
| Status | Ready | | |

Ordering number CA11416_STRADA-T-DN

| | | | |
|-----------------|------------------|-------------|--------------|
| Family | Strada-T | FWHM | Asym degrees |
| Type | Assembly | Efficiency | 92 % |
| LED | NVSxx19A | cd/lm | - |
| Color | Clear | Gerber File | Available |
| Diameter | 19.8 x 15.5 mm | | |
| Height | 8.75 mm | | |
| Style | Rectang | | |
| Optic Material | PMMA | | |
| Holder Material | - | | |
| Fastening | Screw, pin, tape | | |
| Status | Ready | | |

NOTE: The typical divergence will be changed by different color, chip size and chip position tolerance. The typical total divergence is the full angle measured where the luminous intensity is half of the peak value.



PRODUCT DATASHEET

Strada-T series

last update 14/11/2012



GENERAL INFORMATION

- Product series especially designed & optimized for NVSxx19A series of LEDs.
- Special care taken to make light distribution as uniform as possible.
- Lens material optical grade PMMA with high UV and temperature resistance. Allows use of high current and temperature conditions.

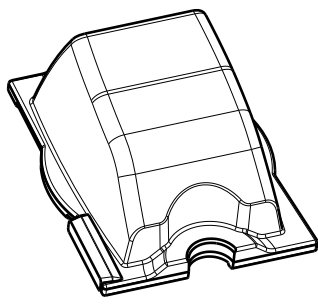
Please find more information about used material from below:

http://ledil.fi/sites/default/files/Documents/Technical/Material/PMMA%20N%20UL94_Yellow%20Card.pdf

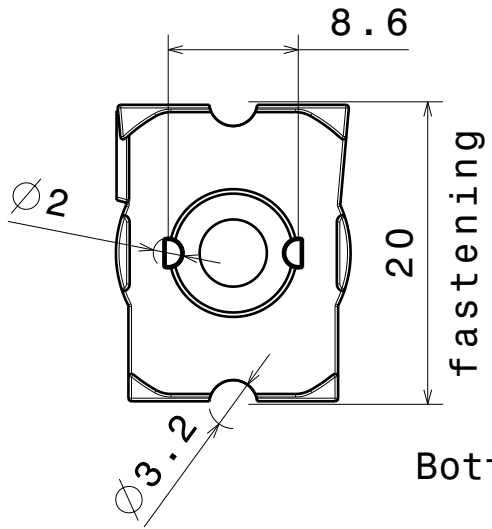
<http://ledil.fi/sites/default/files/Documents/Technical/Material/PMMA%20N%20PLEXIGLAS-Datasheet.pdf>

D C B A

4

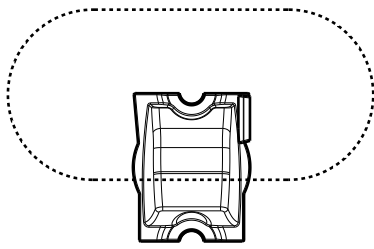


Isometric view

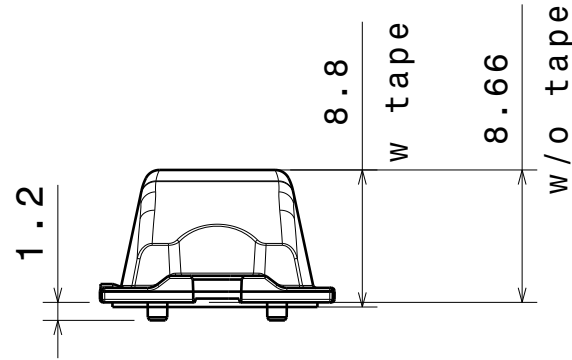


Bottom view

3

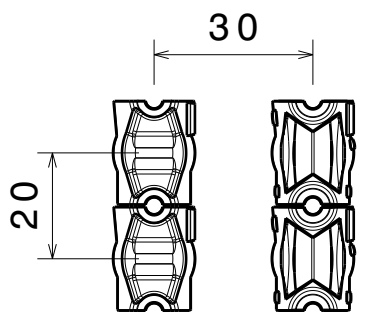


Beam direction

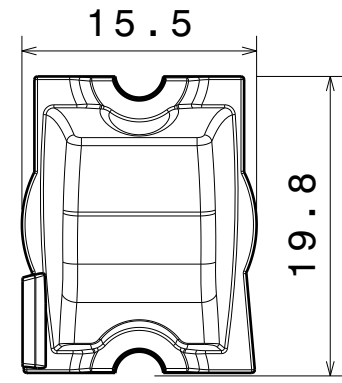


Front view

2



Strada lens arrangement recommendation




Top view

MATERIALS
 Lens: PMMA
 Tape(optional): PU Foam

Optical interface details are confidential and detail in this area may not reflect actual shape

1

1

| | | | |
|-----------------------------------------------------------------------------------------------------|--------------------|---------------------------------------------------------------------------------------------------------------------------------------------|----------------------------|
| This drawing is our property. It can't be reproduced or communicated without our written agreement. | |  Ledil Oy Salorankatu 10 FIN-24100 SALO Finland | |
| DRAWING TITLE | | | |
| DRAWN BY ah | DATE 26.9.2012 | Datasheet Strada-T-DN Lens | |
| CHECKED BY sn | DATE 26.9.2012 | SIZE A4 | DRAWING NUMBER REV 2 |
| DESIGNED BY hh | DATE 14.05.2010 | SCALE 2:1 | WEIGHT (g) SHEET 1/1 |

D A