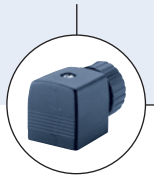


2/2-way Solenoid Valve for neutral media and steam



- Piston-operated valve with pressure relief
- Switches without differential pressure
- For neutral media and steam
- Temperatures up to +160 °C
- Fast switching

Type 6038 can be combined with...



Type 2508

Cable plug



Type 1078

Timer unit



Type 2511

ASI cable plug



Type 8600

Dosing control

The Type 6038 valve is a 2/2-way solenoid valve with direct acting switching character, closed by spring force. It is pressure-relieved and switches without differential pressure.

The magnetic core is linked to the seat tube. When the magnetic core is activated, a drilled hole is opened up by a pre-stroke. The core area within the valve is relieved of pressure, and the valve is opened through magnetic force. In the inactive state, the valve is closed by a pressure spring. In doing this, the closing force of the spring is assisted by the pressure of the medium on the magnetic core.

Caution waterhammer danger!

The valves switch very quickly. If liquid media is used with high differential pressures, high pressure peaks (waterhammer) can occur.

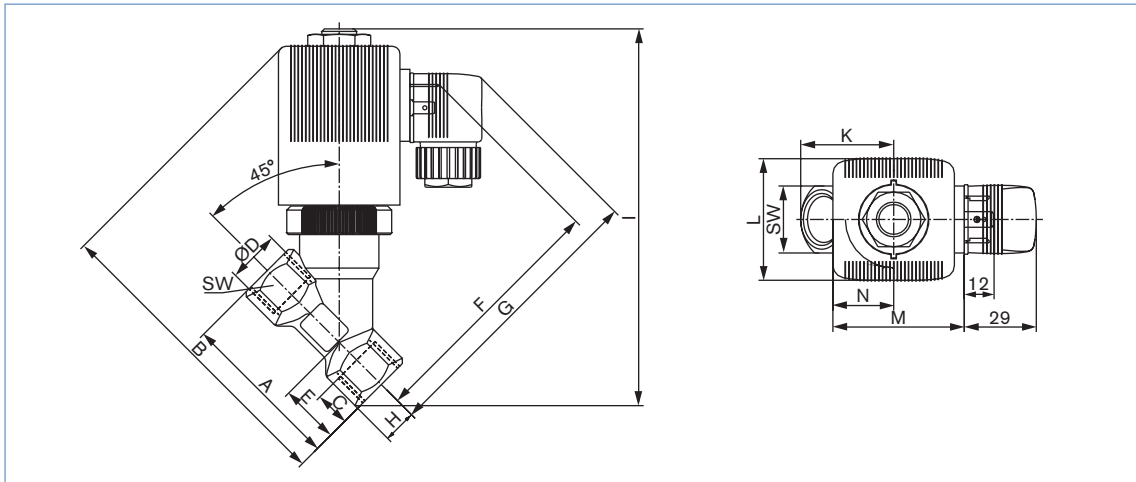
Technical data	
Orifice	DN 12
Body material	Gunmetal
Valve internals	Stainless steel and brass
Seal material	PTFE
Media	Neutral media, preferably steam
Media temperature	0 to +160 °C
Ambient temperature	Max. +55 °C
Operating voltage	
DN 12	24/110/230 V / 50-60 Hz
other voltages	on request
Voltage tolerance	± 10%
Duty cycle	100% continuous rating
Electrical connection	Tag connector sideways acc. DIN EN 175301-803 Form A (for cable plugs Type 2508, see Accessories)
Protection class	IP 65 with cable plug
Installation	As required, preferably with actuator upright

Flow rate	
Kv value water [m ³ /h]	measured at +20 °C, 1 bar pressure at valve inlet and free outlet
Pressure values [bar]	gauge pressures with respect to the prevailing atmospheric pressure
Response times [ms]	
Opening	measured with water at valve outlet at 6 bar and +20 °C pressure build-up 0 to 90%
Closing	pressure decay 100 to 10%

Technical data

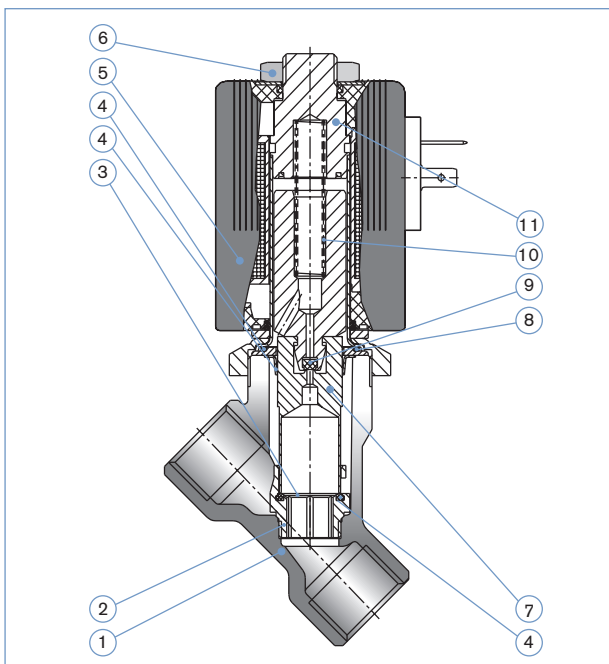
Orifice [mm]	Port connection [inch]	Kv value water [m³/h]	Pressure range [bar]	Power consumption		Response times		Weight [kg]
				Inrush [VA]	Hold [VA/W]	Opening [ms]	Closing [ms]	
12	G 3/8, G 1/2	2.2	0-10	106	38/18	20	60	0.9

Dimensions [mm]



Orifice [mm]	Ø D port conn. [inch]	C thread depth [mm]	A [mm]	B [mm]	E [mm]	F [mm]	G [mm]	H [mm]	I [mm]	K [mm]	L [mm]	M [mm]	N [mm]	SW [mm]
12	G 3/8	12	65	124.5	24	102	116	13.5	152	37.5	49	53	24.5	27
12	G 1/2	14	65	124.5	24	102	116	13.5	152	37.5	49	53	24.5	27

Materials

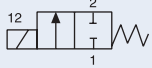


- ① Valve body: Gunmetal
- ② Seat ring: Gunmetal
- ③ Seat: SS (1.4571)
- ④ Seat seal: PTFE
- ⑤ Coil: Epoxy
- ⑥ Locknut: Surface Zn5glcA
- ⑦ Piston: SS (1.4021)
- ⑧ O-rings: FPM
- ⑨ Plunger seal: PTFE
- ⑩ Spring: SS (1.4310)
- ⑪ Stopper: SS (1.4105)

DTS 1000011042 EN Version: D Status: RL (released | freigegeben | validé) printed: 12.08.2008

Ordering chart for valves (other versions on request)

All valves with gunmetal body, supplied without cable plug (see Accessories)

Circuit function	Orifice [mm]	Kv value water [m ³ /h]	Pressure range [bar]	Port connection	Seal material	Voltage/frequency [V/Hz]	Item no.
 <p>2/2-way valve NC</p>	12	2.2	0-10	G 3/8	PTFE	024/50-60	140 427
						110/50-60	140 428
						230/50-60	140 429
				G 1/2	PTFE	024/50-60	140 430
						110/50-60	140 431
						230/50-60	140 432

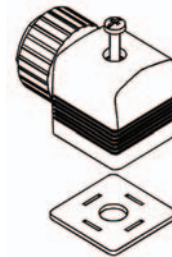
Ordering chart for accessories (cable plug Type 2508 acc. DIN EN 175301-803 Form A)

The delivery of a cable plug includes the flat seal and the fixing screw (galvanised and chrome-plated): In the case of stainless steel valves, we recommend a cable plug with a stainless steel screw (see ordering chart, without circuitry)

Curcuitry/version	Voltage	Item no.
Without circuitry, standard	0-250 V AC/DC	008 376
Without circuitry, SS screw	0-250 V AC/DC	132 445
Without circuitry, silicone seal ■	0-250 V AC/DC	131 874
With LED	12-24 V AC/DC	008 360
With LED and varistor	12-24 V AC/DC	008 367
With LED	200-240 V AC/DC	008 362
With LED and varistor	200-240 V AC/DC	008 369
Further versions please see Datasheet Type 2508		

■ Silicone seal for higher temperatures; otherwise NBR flat seal

Cable plug Type 2508



To find your nearest Burkert facility, click on the orange box → www.burkert.com