

Optocoupler module - UMK- 4 OM-R/MF/P - 2972673

Please be informed that the data shown in this PDF Document is generated from our Online Catalog. Please find the complete data in the user's documentation. Our General Terms of Use for Downloads are valid (<http://download.phoenixcontact.com>)



Interface module, with plug-in socket for 4 solid-state relays, with security latch, with screw connection, with light indicator and fuse, control logic: plus switching


The illustration shows a version for 4 pluggable digital I/O modules, or SOLID-state relays

Why buy this product

- Status indicator
- Integrated fuse for line protection
- Can be fitted with solid-state relays or I/O modules



Key commercial data

| | |
|--------------------------------------|---|
| Packing unit | 1 pc |
| GTIN |  4 017918 088637 |
| Weight per Piece (excluding packing) | 193.8 g |
| Custom tariff number | 85369010 |
| Country of origin | Germany |

Technical data

Dimensions

| | |
|--------|-------|
| Width | 90 mm |
| Height | 77 mm |
| Depth | 72 mm |

Ambient conditions

| | |
|---|------------------|
| Ambient temperature (operation) | -20 °C ... 55 °C |
| Ambient temperature (storage/transport) | -20 °C ... 70 °C |

Input data

| | |
|--------------------------------|-------------------------------|
| Typical input current at U_N | 30 mA (Optocoupler dependent) |
|--------------------------------|-------------------------------|

Optocoupler module - UMK- 4 OM-R/MF/P - 2972673

Technical data

Input data

| | |
|---------------------------|------------|
| Operating voltage display | Yellow LED |
| Status display/channel | Yellow LED |

Output data

| | |
|--|-----|
| Limiting continuous current | 4 A |
| Error detection (line break / short-circuit) | no |

General

| | |
|-----------------------------|------------------------------------|
| No. of channels | 4 |
| Compatible components | Digital I/O modules |
| With components | No |
| Standards/regulations | DIN VDE 0110b, Gr. C for 250 V DC |
| | DIN VDE 0160 (in relevant parts) |
| Mounting position | any |
| Assembly instructions | In rows with zero spacing |
| Housing insulation material | PVC, side panel PA non-reinforced, |
| Color | green |

Connection data for connection 1

| | |
|--|---------------------|
| Connection name | Input |
| Number of connections | 2 |
| Connection method | Screw connection |
| Number of positions | 6 |
| Conductor cross section stranded min. | 0.2 mm ² |
| Conductor cross section stranded max. | 2.5 mm ² |
| Conductor cross section solid min. | 0.2 mm ² |
| Conductor cross section solid max. | 4 mm ² |
| Conductor cross section AWG/kcmil min. | 24 |
| Conductor cross section AWG/kcmil max | 12 |
| Screw thread | M3 |
| Stripping length | 8 mm |

Classifications

eCl@ss

| | |
|------------|----------|
| eCl@ss 4.0 | 27371102 |
| eCl@ss 4.1 | 27371102 |
| eCl@ss 5.0 | 27371001 |
| eCl@ss 5.1 | 27371001 |
| eCl@ss 6.0 | 27371001 |
| eCl@ss 7.0 | 27371001 |
| eCl@ss 8.0 | 27371001 |

Optocoupler module - UMK- 4 OM-R/MF/P - 2972673

Classifications

ETIM

| | |
|----------|----------|
| ETIM 2.0 | EC001504 |
| ETIM 3.0 | EC001504 |
| ETIM 4.0 | EC001504 |
| ETIM 5.0 | EC001504 |

UNSPSC

| | |
|---------------|----------|
| UNSPSC 6.01 | 30211916 |
| UNSPSC 7.0901 | 39121542 |
| UNSPSC 11 | 39121542 |
| UNSPSC 12.01 | 39121542 |
| UNSPSC 13.2 | 39121542 |

Approvals

Approvals

Approvals

UL Recognized / cUL Recognized / GOST / cULus Recognized

Ex Approvals

Approvals submitted

Approval details

| |
|---------------|
| UL Recognized |
|---------------|

| |
|----------------|
| cUL Recognized |
|----------------|

| |
|------|
| GOST |
|------|

Optocoupler module - UMK- 4 OM-R/MF/P - 2972673

Approvals



Accessories

Accessories

Fuse

Fuse - VF-SI/TR5/4AT - 2900998



Plug-in fuse (TR5[®]), nominal current: 4 A, tripping behavior: slow-blow (T)

Necessary add-on products

Semi-conductor relay - OV-24DC/350DC/1 - 2982634



Solid-state relay, for signal amplification and isolation of the control and load circuits, can be plugged in the solderable plug-in bases SIM-AMS or with PCB connection for mounting directly onto the PCB, input: 4.25-32 V DC, output: 1-350 V DC/1 A

Semi-conductor relay - OV-24DC/ 60DC/4 - 2982647



Solid-state relay, for signal amplification and isolation of the control and load circuits, can be plugged in the solderable plug-in bases SIM-AMS or with PCB connection for mounting directly onto the PCB, input: 4.25-32 V DC, output: 1-60 V DC/4 A

Semi-conductor relay - OV-24DC/480AC/5 - 2982650

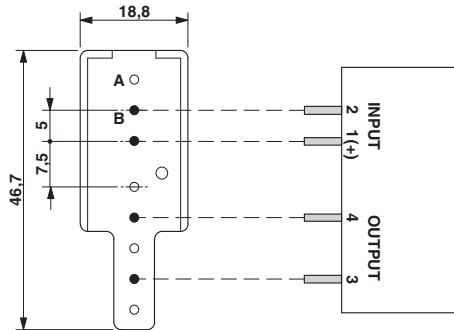


Solid-state relay, for signal amplification and isolation of the control and load circuits, can be plugged in the solderable plug-in bases SIM-AMS or with PCB connection for mounting directly onto the PCB, input: 4-32 V DC, output: 12-530 V AC/ 5 A

Drawings

Optocoupler module - UMK- 4 OM-R/MF/P - 2972673

Dimensioned drawing



A = without metal
B = with metal

Circuit diagram

