



Features and Benefits

The EUROMOD modular system provides a flexible and versatile method of installation. This modular system offers a wide range of wallplates and modules that allow the user to install as many data outlets as required. The modules are fully assembled units featuring the Molex Premise Networks low profile Cat 5E RJLP connector and a 25 x 50mm fascia, shutter and spring assembly.

Molex Premise Networks unique patented RJLP RJ45 connector is engineered to meet the highest performance standards in the industry and offers a low profile, space saving design that enables installation in shallow backboxes and trunking.

Suitable for high speed data transmission the PowerCat RJLP RJ45 connector was designed to meet the requirements of the Cat 5E standard which demands compliance with the PowerSum principle of measurement and test.

- Enhanced C5 performance RJ45 RJLP connector
- EIA 568B wired
- Space saving low profile module

Technical Information

Termination Tools:

Molex and other industry standard installation tools

IDC Terminations

Suitable for 0.4mm - 0.6mm solid or stranded cable, maximum o.d 1.5mm

Two wires may be terminated for daisy-chain applications. Patents pending on connector and module designs.

Mechanical

Jack Connector

Operating Life : Minimum 500 insertion cycles
 Contact Material : Phosphor Bronze
 Contact Plating : 1.25 micrometres Au/Ni
 Material : UL 94VO Thermoplastic

IDC Connector

Operating Life: Minimum 100 Reterminations
 Contact Material: Phosphor Bronze
 Contact Plating: Sn/Pb over Ni
 Wire Accommodation: 2 x 22-26 AWG solid or stranded

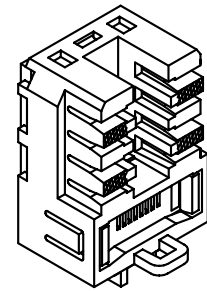
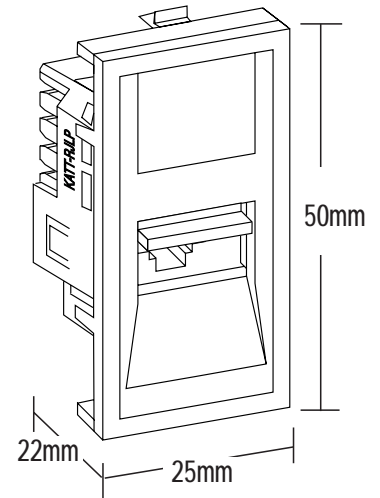
Electrical

D.C. Resistance : <20mΩ
 D.C. Resistance Imbalance : <2.0mΩ
 Insulation Resistance : >100MΩ
 Attenuation (dB) @ 1MHz 0.0121
 @ 16MHz 0.0193
 @ 100MHz 0.1052
 Crosstalk (dB) @ 1MHz -84.26
 @ 16MHz -60.03
 @ 100MHz -45.70
PowerSum Worst Pair @ 100MHz-41.83
 Return Loss (dB) @ 1MHz -65
 @ 16MHz -48
 @ 100MHz -30

Backbox/Trunking depth requirement

Minimum clearance 16mm

Shipping Weight : Box 20 = 0.35 Kg



| Order No. | Description |
|------------------|---|
| 17.1B.011.A0042* | PowerCat EUROMOD RJLP module. RJ45, 568B, Category 5E (White) UTP |

Molex standard colours is white. Other colours are available subject to minimum order qualities - contact customer services for details.

MOLEX PREMISE NETWORKS

Molex Premise Networks
 Corporate Headquarters
 Tel: 603 324 0200
 www.molexpn.com

Western Europe
 Headquarters
 Tel: 44 (0) 1489 572111
 www.molexpn.co.uk

Eastern Europe
 Headquarters
 Tel: 48 22 36 92 51
 www.molexpn.com.pl

Asia Headquarters
 Tel: 852 2637 3759
 www.molexpn.com.hk

South Pacific
 Headquarters
 Tel: 61 3 9747 8322
 www.molexpn.com.au

Molex Incorporated
 Tel: 630 969 4550
 www.molex.com