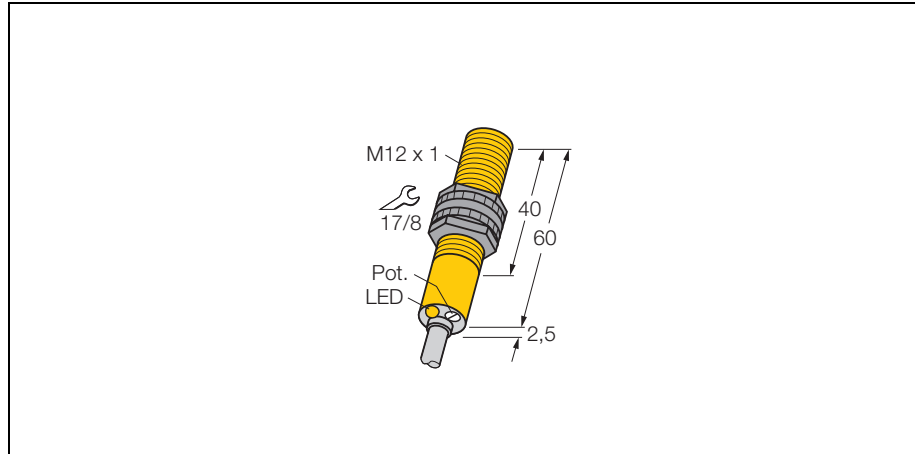
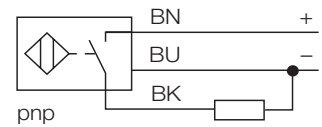


**capacitive sensor
with extended temperature range
BC3-S12-AP6X/S100**



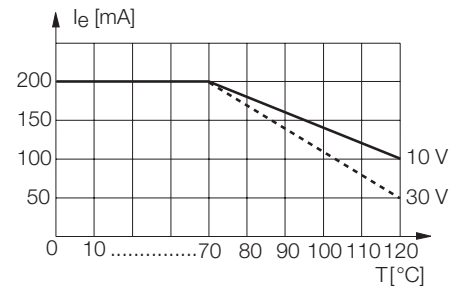
- threaded barrel, M12 x 1
- plastic, PA12-GF30
- for temperatures up to 100°C
- 3-wire DC, 10...30 VDC
- normally open, pnp output
- cable connection

Wiring diagram



Capacitive proximity switches are designed for non-contact and wear-free detection of metal (electrically conductive) and non-metal (electrically non-conductive) objects. Special capacitive sensor versions can be used at temperatures of up to +100°C.

derating curve



Type	BC3-S12-AP6X/S100
Ident-No.	2601201
Rated operating distance Sn	3 mm, flush mounting
Hysteresis	2... 20 %
Temperature drift	≤ ± 20 %
Repeatability	≤ 2 %
Ambient temperature	-25...+ 100 °C
Operating voltage	10... 30VDC
Residual ripple	≤ 10 % U _{ss}
DC rated operational current	≤ 200 mA
Rated operational current	see derating curve
No-load current I ₀	≤ 15 mA
Residual current	≤ 0.1 mA
Switching frequency	≤ 0.1 kHz
Rated insulation voltage	≤ 0.5 kV
Output function	3-wire, normally open, pnp
Short-circuit protection	yes / cyclic
Voltage drop at I _e	≤ 1.8V
Wire breakage / Reverse polarity protection	yes / complete
Housing	threaded barrel, M12x1
Dimensions	60 mm
Housing material	plastic, PA12-GF30
Material active face	plastic, PA12-GF30
Tightening torque of housing nut	1 Nm
Connection	cable
Cable quality	Ø 4, LiYY-11Y, PUR, 2 m
Cable cross section:	3 x 0.25mm ²
Vibration resistance	55 Hz (1 mm)
Shock resistance	30g (11 ms)
Degree of protection	IP67
Display switch state	LED yellow

capacitive sensor
with extended temperature range
BC3-S12-AP6X/S100

TURCK

Industrial
Automation

Accessories

Type code	Ident-No.	Short text	Dimension drawing
BST-12B	6947212	fixing clamp with dead-stop; material: PA6	