

**ebm-papst St. Georgen GmbH & Co. KG**

Hermann-Papst-Str. 1

D-78112 St. Georgen

Phone +49 (0) 7724 81-0

Fax +49 (0) 7724 81-1309

info2@de.ebmpapst.com

www.ebmpapst.com

Nominal data

| Type | 4188 NXM | |
|--------------------------|-------------------|----------|
| Nominal voltage | VDC | 48 |
| Nominal voltage range | VDC | 36 .. 60 |
| Speed | min ⁻¹ | 2800 |
| Power input | W | 3.5 |
| Min. ambient temperature | °C | -30 |
| Max. ambient temperature | °C | 75 |
| Air flow | m ³ /h | 160 |
| Sound power level | B | 5.3 |
| Sound pressure level | dB(A) | 44 |

ml = Max. load · me = Max. efficiency · fa = Running at free air · cs = Customer specs · cu = Customer unit
Subject to alterations

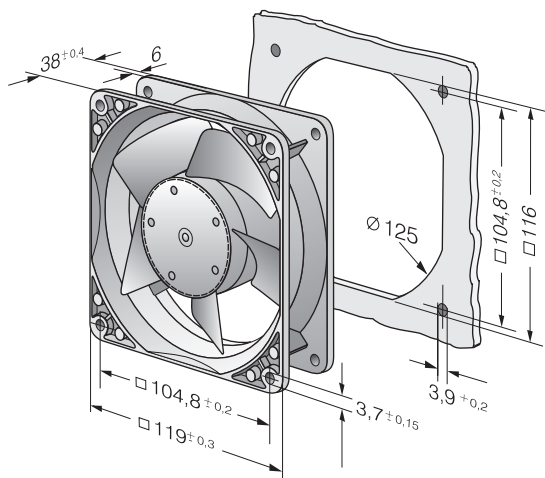


Technical features

| | |
|--|--|
| Impeller material | Fibreglass-reinforced plastic (PA) |
| Mass | 0.390 kg |
| Dimensions | 119 x 119 x 38 mm |
| Housing material | Die-cast aluminium |
| Direction of air flow | Inlet over bars |
| Direction of rotation | Clockwise, looking at rotor |
| Bearing | Ball bearings |
| Lifetime L10 at 40 °C | 85000 h |
| Lifetime L10 at maximum temperature | 37500 h |
| Connection line | Flat plugs 2.8 x 0.5 mm. Optionally also available with strands. |
| Motor protection | Protected against reverse polarity and locking. |
| Approval | VDE, CSA, UL |



Product drawing



Charts: Air flow

