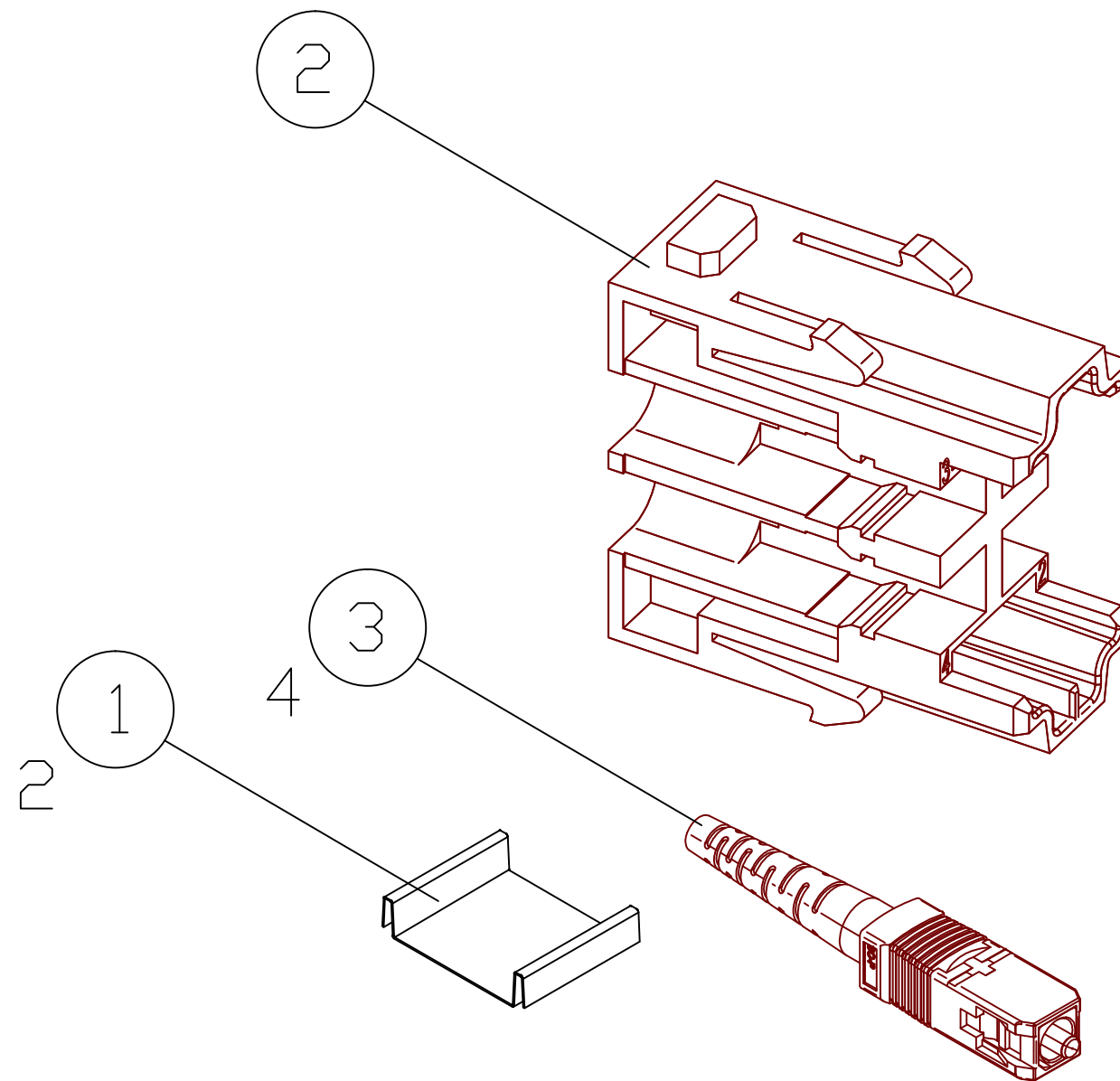


NO SUBSTITUTIONS OR OMISSIONS ALLOWED WITHOUT WRITTEN CONSENT OF HARTING LTD.
IF IN DOUBT - ASK!

HARTING PART NUMBER:
6630 2970 017 00



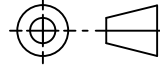
DRAWING No.
VAB7000-103-101

KIT MALE			
Item No.	Part No.	Qty	Description
1	09140009965	2	Retaining Plate
2	09140044701	1	Han SC Module, Male
3	20101255211	4	SC Contact

10.02.14	PRODUCTION	01	B.J.
DATE	DV/CH No.	ISSUE	INITIALS

MATERIAL	SEE BOM
FINISH	BAGGED

DIMENSIONAL TOLERANCE UNLESS OTHERWISE STATED
 LINEAR: X. ± 0.5mm
 X.X ± 0.20mm
 X.XX ± 0.10mm
 ANGULAR: ±0°15'0" (±0.20°)
 ALL DIMENSIONS IN MILLIMETRES

THIRD ANGLE PROJECTION
 DRAWN TO BS8888

 DO NOT SCALE DRAWING
 SCALE NTS

 HARTING LTD
 CASWELL ROAD
 NORTHAMPTON
 NN4 7PW
 © HARTING LTD. 2011

CUSTOMER		TITLE		A3
HAN MODULAR FIBRE KITS MALE		HAN MODULAR FIBRE KITS MALE		
DRAWN BY	CHECKED BY	APPROVED	DRAWING No.	VAB7000-103-101
B.JONES	A.RICHARDSON		PART No. 6630297001700	
DATE	DATE	DATE	SHEET 1 OF 1	
10.02.2014	11.02.2014			

THIS CONFIDENTIAL DOCUMENT IS THE PROPERTY OF HARTING LTD WHO OWN THE COPYRIGHT THEREIN. WITHOUT THE WRITTEN CONSENT OF HARTING LTD, GIVEN BY CONTRACT OR OTHERWISE, THE DOCUMENT MUST NOT BE COPIED, REPRINTED OR REPRODUCED IN ANY MATERIAL FORM, EITHER WHOLE OR IN PART, AND THE CONTENTS OF THE DOCUMENT, OR ANY METHOD OR TECHNIQUE AVAILABLE THEREFROM MUST NOT BE DISCLOSED TO ANY OTHER PERSON WHATSOEVER.