

LED-36W DC 700mA

SPECIFICATIONS

Standards

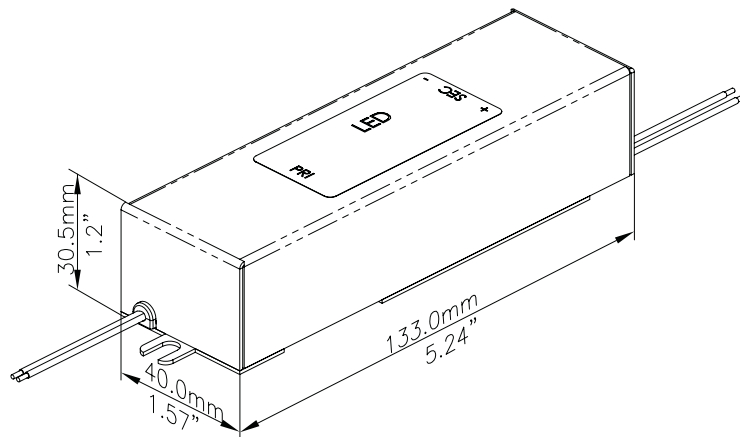
Converter meets CE standard
 Pending UL and C-UL
 Pending VDE and VDE EMV

Available Versions

901036700P-LED 36W DC 700mA P
 (European Version)
 901036700PU-LED 36W DC 700mA PU
 (USA Version)

Mechanical and Thermal

Dimensions (mm) 30.5 x 40 x 133
 Dimensions (in.) 1.2 x 1.57 x 5.24
 Weight 300 grams, 10.58 ounces
 Tc Max 90°C
 Ta Max 50°C
 Aluminium casing
 Output wire 0.75mm²/18 AWG Teflon
 Input wire 0.75mm²/18 AWG 300V
 180°C/200°C
 Waterproof potting



Electrical

Load	10-36VA
Input	100-265V 0/50/60Hz
Output current	650-750mA
Output voltage	12-58V
Efficiency	82%
EMC (RFI)	FCC Class B/EN 55015
Harmonics	EN 61000-3-2
Electrostatic Discharge	IEC61000-4-2
EMC Immunity	IEC61000-4-3
Burst	IEC61000-4-4
Surge	IEC61000-4-5
Injected RF	IEC61000-4-6
Mains interruption	IEC61000-4-11
Immunity	EN 61547/61047
Safety	EN 61347-2-2
SELV	

Protection and Regulation

Electronic internal resettable short circuit protection and overload regulation.

See reverse side for more information →

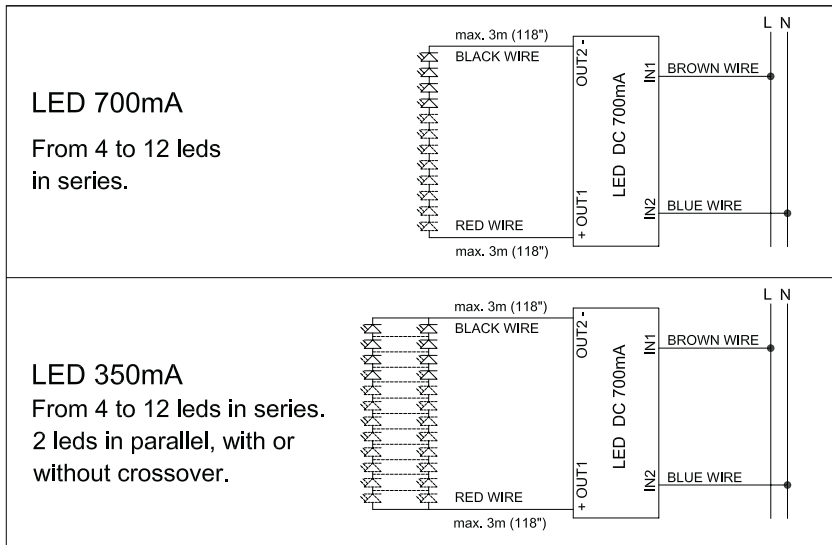
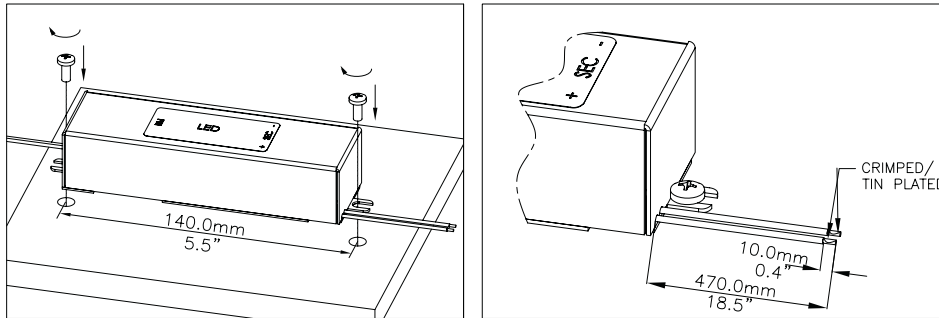


WWW.LIGHTTECHINC.COM

www.lighttechinc.com

LED-36W DC 700mA

Mounting Instructions



Safety Instructions:

1. Always disconnect power before installation and/or removal of the unit.
2. Install in accordance with national and local electrical codes.
3. Wires: Input and output wires 0.75mm² or 18 AWG.