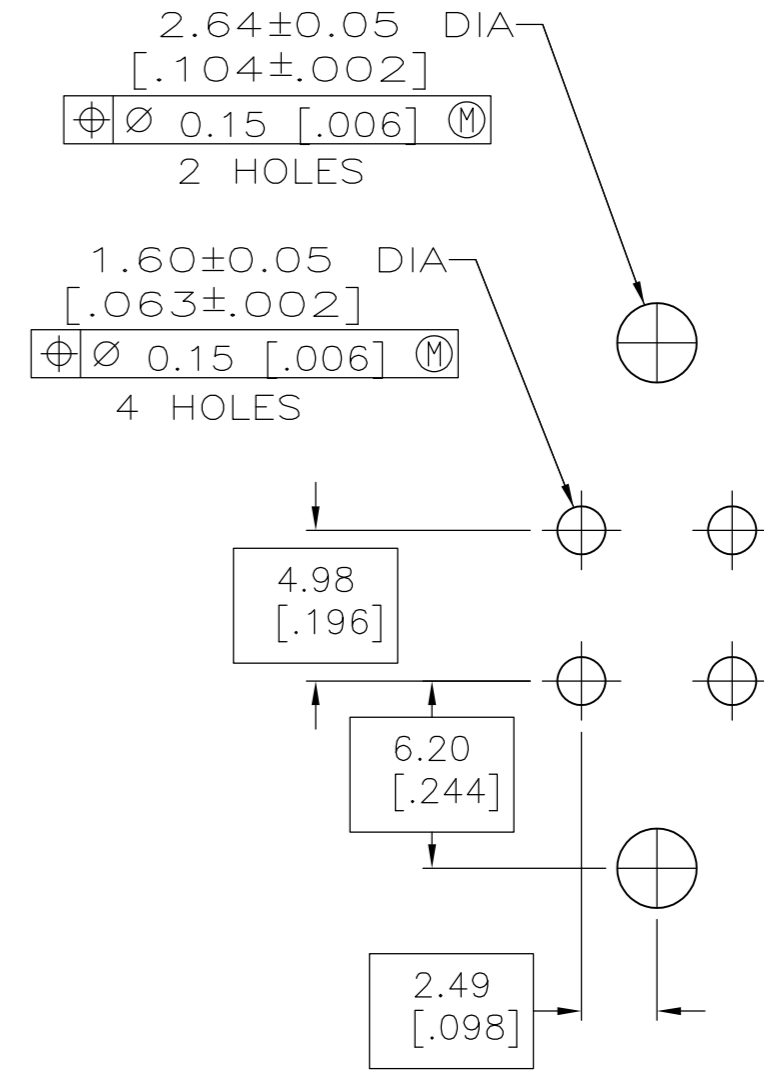
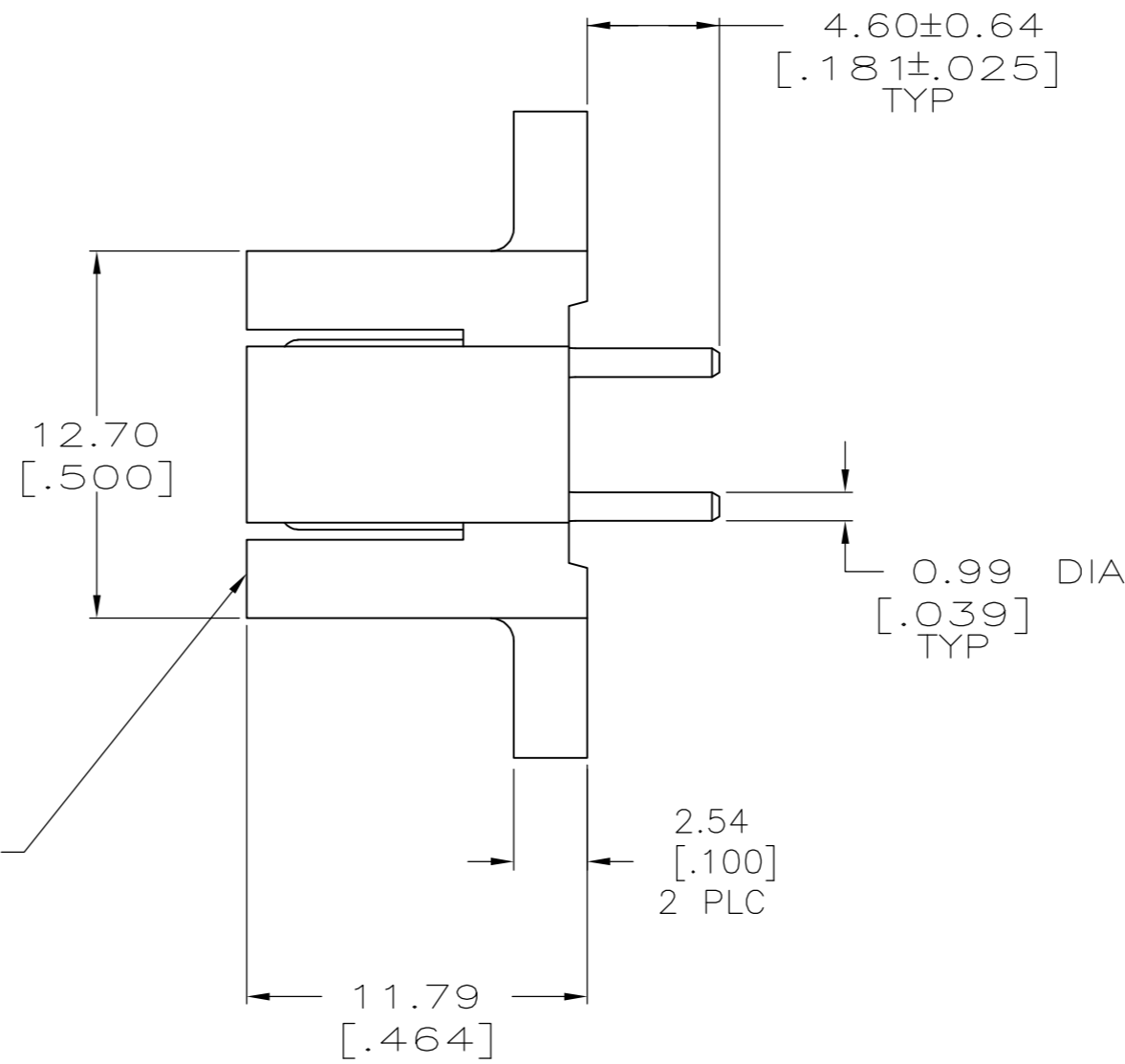
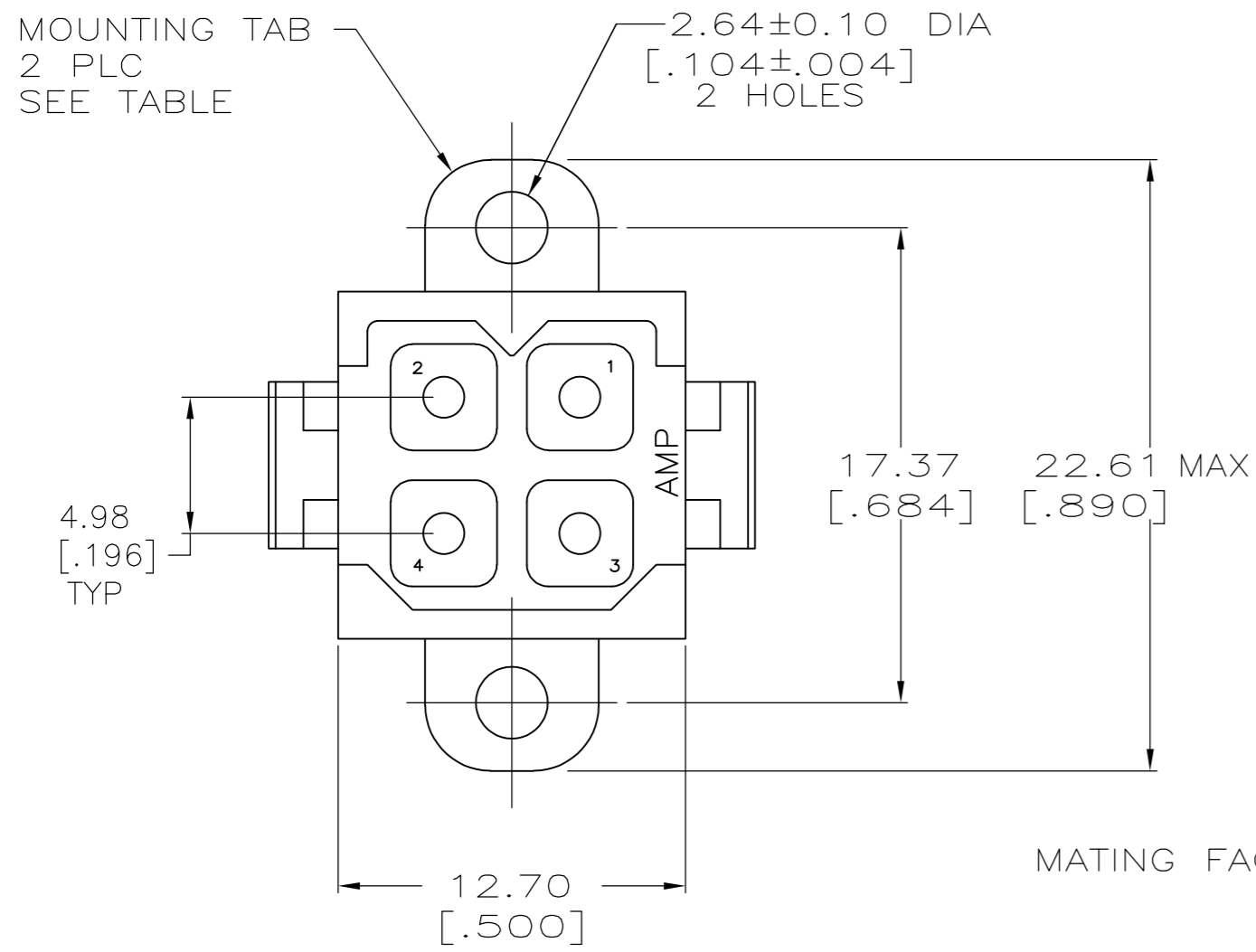
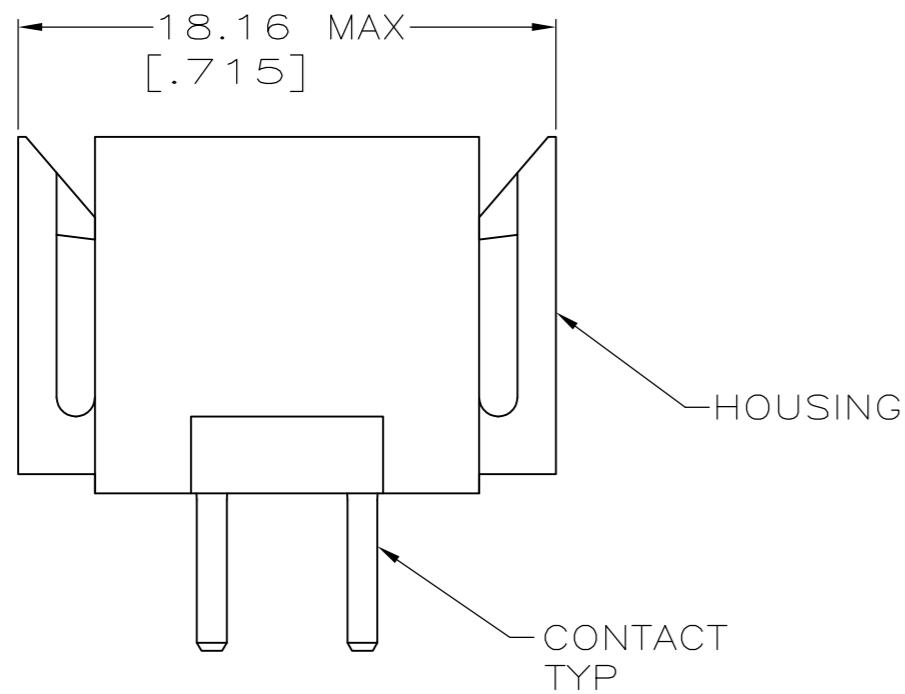


THIS DRAWING IS UNPUBLISHED. RELEASED FOR PUBLICATION
 © COPYRIGHT BY TYCO ELECTRONICS CORPORATION. ALL RIGHTS RESERVED.

| LOC | DIST | REVISIONS | | | | | |
|-----|------|-----------|-----|---------------------------|---------|-----|------|
| FT | 0 | P | LTR | DESCRIPTION | DATE | DWN | APVD |
| | | | S | REVISED PER 0G3B-0164-05 | 3/9/05 | SS | GS |
| | | | S1 | REVISED PER ECO-09-021826 | 10SEP09 | KK | AEG |



RECOMMENDED PC BOARD LAYOUT



- ① NYLON, UL 94V-0 RATED, RED.
- ② BRASS PER ASTM B36.
- ③ 3.81um [.000150] MIN TIN OVER 2.54um [.000100] MIN COPPER.
- ④ 0.76um [.000030] MIN GOLD FOR A LENGTH OF 5.08 [.200] FROM MATING END, 3.81um [.000150] MIN TIN FOR A LENGTH OF 4.83 [.190] MIN FROM OPPOSITE END, BOTH OVER 1.27um [.000050] MIN NICKEL.
- ⑤ CONTACTS SELECT LOADED IN POSITIONS 2, 3 AND 4.
- ⑥ 3.81um [.000150] MIN TIN OVER 2.54um [.000100] MIN COPPER.
- ⑦ 0.76um [.000030] MIN GOLD FOR A LENGTH OF 5.08 [.200] FROM MATING END, 3.81um [.000150] MIN TIN FOR A LENGTH OF 4.83 [.190] MIN FROM OPPOSITE END, BOTH OVER 1.27um [.000050] MIN NICKEL.
- ⑧ OBSOLETE PARTS: OBSOLETE CIS STREAMLINING PER D.RENAUD/D.SINISI

| | | | | | |
|---|---|----------|----------------|---------------|-------------|
| ⑧ | ⑤ | OBSOLETE | ⑥ | YES | 1-207119-2 |
| | | | ⑦ | NO | 1-207119-1 |
| ⑧ | ⑤ | OBSOLETE | ⑥ | YES | 1-207119-0 |
| | | | ⑥ | NO | 207119-9 |
| | | | ⑥ | YES | 207119-8 |
| | | | ③ | YES | 207119-7 |
| | | | ④ | NO | 207119-4 |
| | | | ④ | YES | 207119-3 |
| | | | ③ | NO | 207119-2 |
| | | | ③ | YES | 207119-1 |
| | | | CONTACT FINISH | MOUNTING TABS | PART NUMBER |

| | | | | | |
|--|----------------------------|------------------|-----------|---|--|
| THIS DRAWING IS A CONTROLLED DOCUMENT. | | DWN | 03/10/92 | Tyco Electronics Corporation Harrisburg, Pa 17105-3608 | |
| DIMENSIONS: mm [INCHES] | | CHK | 3-17-92 | PIN HEADER ASSEMBLY, 4 POSITION, METRIMATE | |
| TOLERANCES UNLESS OTHERWISE SPECIFIED: | | APVD | - | SIZE: A2 CAGE CODE: 00779 DRAWING NO: C=207119 | |
| 0 PLC ± - | | PRODUCT SPEC | 108-10033 | RESTRICTED TO | |
| 1 PLC ± - | | APPLICATION SPEC | - | SCALE: 4:1 SHEET 1 OF 1 REV S1 | |
| 2 PLC ± 0.25 [.010] | | WEIGHT | - | | |
| 3 PLC ± - | | CUSTOMER DRAWING | | | |
| 4 PLC ± - | | | | | |
| ANGLES ± - | | | | | |
| MATERIAL: HOUSING: 1 | FINISH: CONTACT: SEE TABLE | | | | |