

843

LED Permanent Light Element multicolour for KombiSIGN 70



The LED permanent light element multicolour offers a life duration of up to 50,000 hrs

- Seven colours in one beacon
- Multiple status warnings can be signalled by one beacon
- Different colours can be triggered via the pins in the terminal element
- Positive and negative control logic
- The three basic colours (red/yellow/green) can be triggered using only two PLC outputs
- High light intensity

TECHNICAL SPECIFICATIONS:

Life duration up to 50,000 hrs

Dimensions (Ø x Height):	70 mm x 65.5 mm
Lens:	PC, transparent
Colours:	LED permanent
Possible Colours:	Red, yellow, green, white, blue, violet, turquoise
Seal:	Pre-mounted with each element
Number of modules possible:	Max. 3 (including Multicolour element)

ORDER SPECIFICATIONS:

Voltage	24 V DC
Current consumption	< 120 mA
LED permanent light multicolour	843 450 55

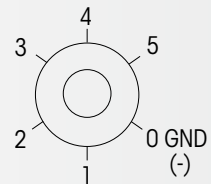


7 colours in one beacon: red, yellow, green, white, blue, violet and turquoise

ADDITIONAL INFORMATION:

Simple external activation via the pins in the terminal element.

Pin 1	Pin 2	Pin 3	Function
24 V	-	-	Red
-	24 V	-	Green
24 V	24 V	-	Yellow
-	-	24 V	Blue
24 V	24 V	24 V	White
24 V	-	24 V	Violet
-	24 V	24 V	Turquoise



TECHNICAL DIAGRAMS:

see page 319



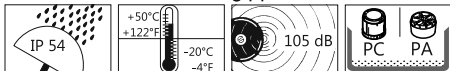
The Multicolour Element can be combined with up to 2 additional signal elements

See note on page 347

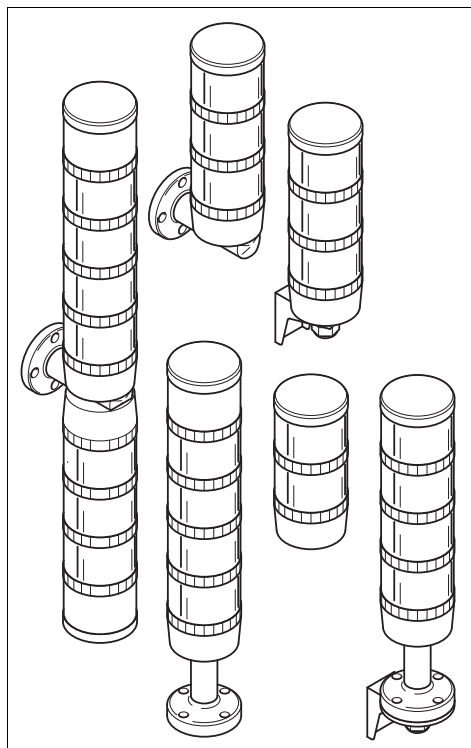


EN 60947-5-1

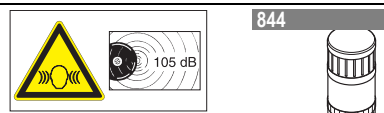
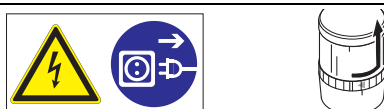
844



842

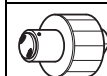


- D** Anschluss **ausschließlich** durch ausgebildete Elektro-Fachkräfte.
- GB** Electrical connection is to be made by trained electrical specialists **only**.
- F** Le branchement doit **uniquement** être effectué par des professionnels.
- I** Il collegamento deve essere eseguito **solo** da elettricisti specializzati.
- E** La conexión **sólo** debe ser realizada por electricistas debidamente formados.
- PT** A ligação deve ser feita **exclusivamente** por profissional eléctrico especializado.
- NL** De aansluiting mag **enkel** gebeuren door erkende vakmensen.
- CZ** Připojení smí **provádět** pouze kvalifikovaný personál.
- PL** Podłączenie **wyłącznie** przez specjalistów-elektryków.
- FI** Liittäminen kuuluu **ainoastaan** koulutettujen sähköalan ammattilaisten tehtäviin.
- RUS** Подключение проводится только специалистами-электриком.
- TR** Bağlantı **sadece** eğitimli elektrik teknisyenleri tarafından yapılmalıdır.
- CN** 布线需由专业电工执行



840 x00 00	12 – 240 V \approx
842 x00 54	12 V \approx , 195 mA
842 x00 55	24 V \approx , 125 mA
842 x00 67	115 V \sim , 22 mA
842 x00 68	230 V \sim , 15 mA
842 x10 55	24 V \approx , < 125 mA
843 x20 55	24 V \approx , < 30 mA (RD, YE)
843 x20 55	24 V \approx , < 25 mA (GN, BU, CL)

843 x00 55	24 V \approx , < 30 mA (RD, YE)
843 x00 55	24 V \approx , < 25 mA (GN, BU, CL)
843 x00 67	115 V \sim , < 20 mA
843 x00 68	230 V \sim , < 20 mA
843 x10 55	24 V \approx , < 30 mA (RD, YE)
843 x10 55	24 V \approx , < 25 mA (GN, BU, CL)
843 x10 67	115 V \sim , < 25 mA
843 x10 68	230 V \sim , < 25 mA
843 x30 55	24 V \approx , < 40 mA
843 x40 55	24 V \approx , 350 mA (RD, YE)
843 x40 55	24 V \approx , 250 mA (GN, BU, CL)
843 x80 55	24 V \approx , < 190 mA (RD, YE)
843 450 55	24 V \approx , < 120 mA
844 118 55	85 dB, 24 V \approx , 25 mA
844 118 67	85 dB, 115 V \sim , 25 mA
844 118 68	85 dB, 230 V \sim , 25 mA
844 123 55	105 dB, 24 V \approx , 150 mA, (IP40)
844 126 55	100 dB, 24 V \approx , 80 mA
844 126 67	100 dB, 115 V \sim , 40 mA
844 126 68	100 dB, 230 V \sim , 40 mA
844 126 95	100 dB, 24 V \approx , 80 mA
844 840 55	88 dB, 24 V \approx , I ₀ 400 mA
844 860 55	102 dB, 24 V \approx , I ₀ < 400 mA
844 810 55	24 V \approx , < 150 mA, I ₀ < 500 mA



BA 15 d

956 x00 75	24 V \approx , 45 mA
956 x00 67	115 V \sim , 15 mA
956 x00 68	230 V \sim , 15 mA



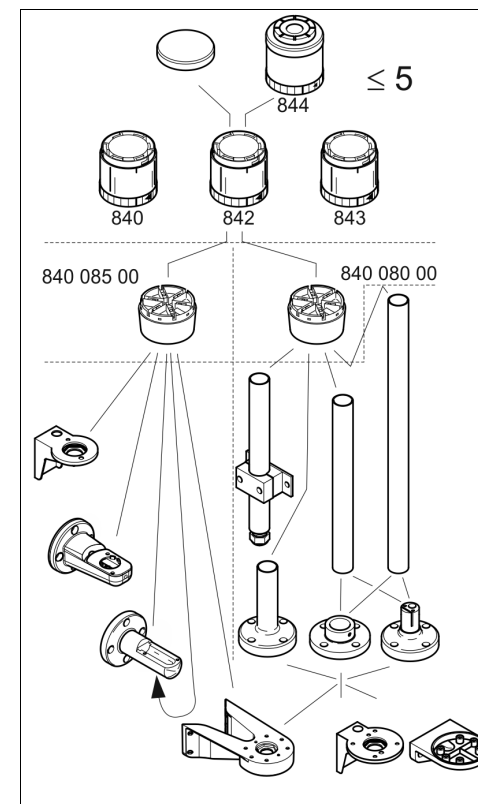
BA 15 d, < 42 mm

955 840 34	12 V, 5 W
955 840 35	24 V, 5 W
955 840 38	230 V, 5 W
955 840 57	115 V, 5 W



843 x40 55

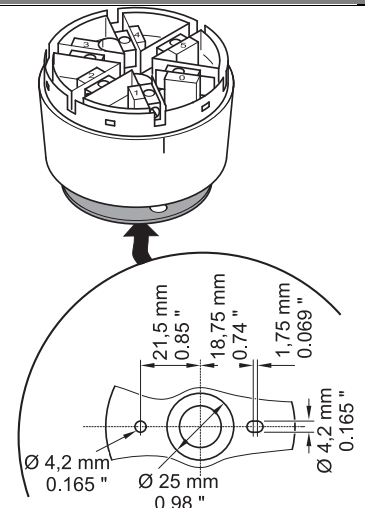
- D** Bei Epilepsie ungeeignet!
- GB** Unsuitable for epilepsy sufferers.
- F** Ne convient pas aux personnes souffrant d'épilepsie.
- I** Inadatto per epilettici.
- E** Inadecuado para epilépticos.
- PT** Não aconselhar a pessoas que sofrem de Epilepsia.
- NL** Niet geschikt voor epileptici.
- CZ** Nevhodné pro epileptiky.
- PL** Nie stosować przy zchorzeniu padaczkci.
- FI** Ei soveltu epileptikoille.
- RUS** Не подходит для страдающих эпилепсией.
- TR** Epilepsi hastalığı olanların kullanmaması önerilir.
- CN** 不适用于癫痫病患者

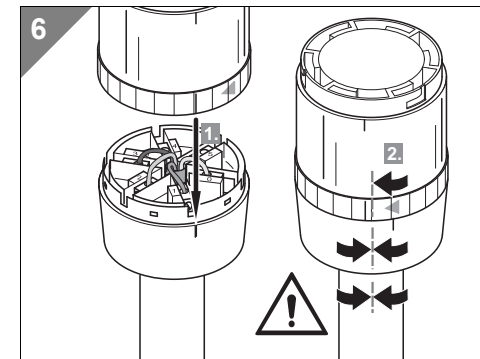
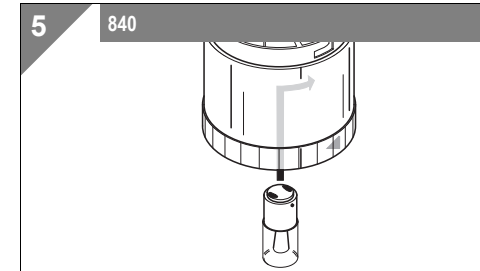
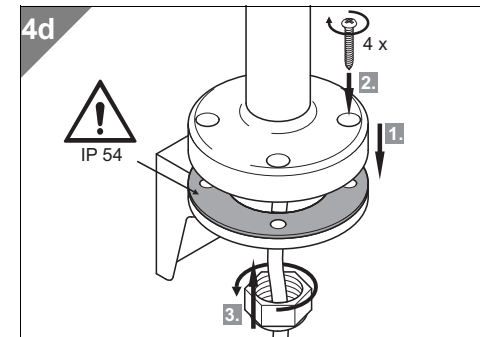
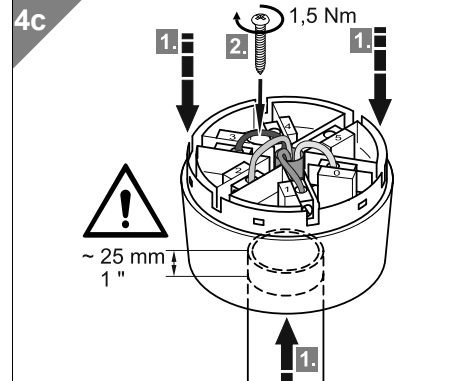
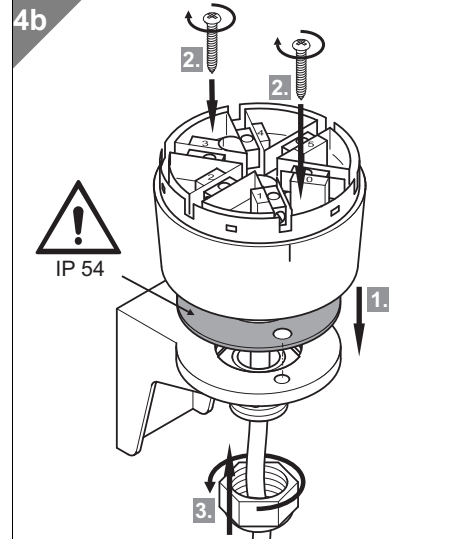
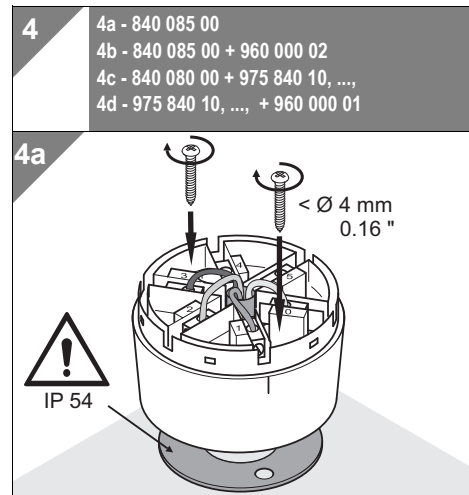
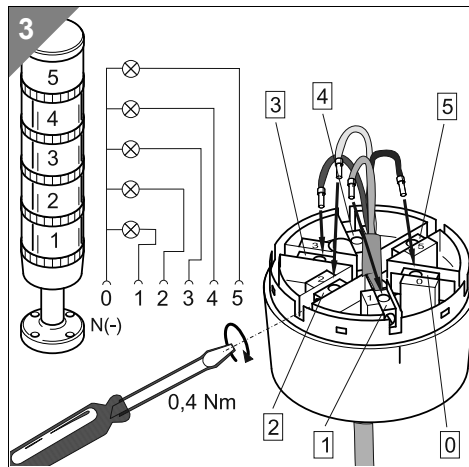
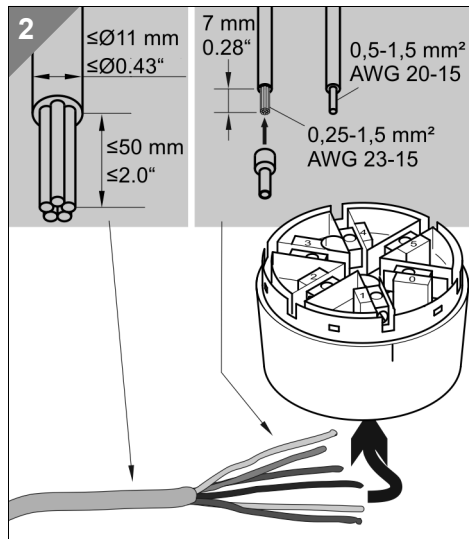
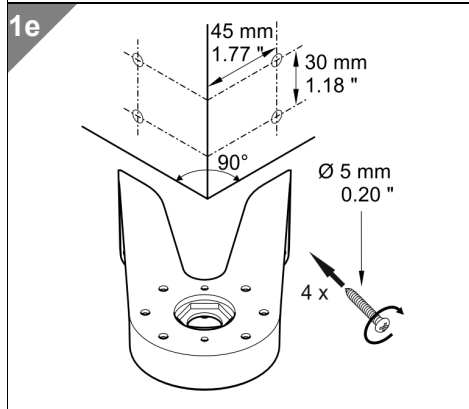
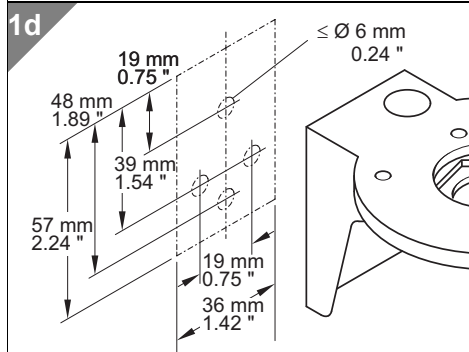
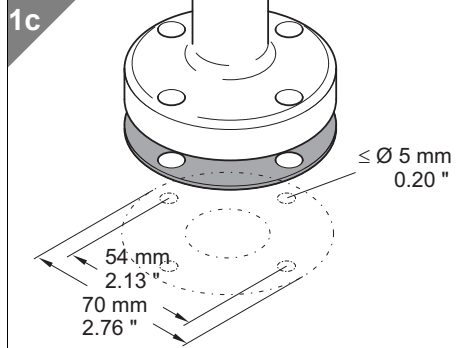
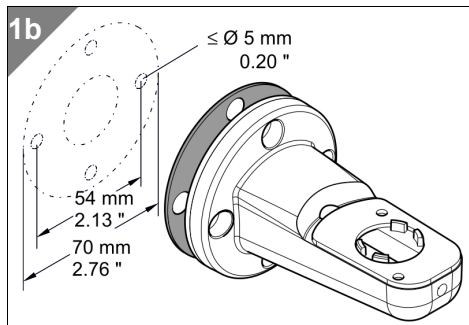


1

1a - 840 085 00
 1b - 975 840 10, 975 840 90, 975 840 91
 1c - 975 840 85, 975 840 86
 1d - 960 000 01, 960 000 02
 1e - 960 000 41

1a





7 843 450 55

Farbe, Colour	Montageposition mounting position		Anschluss Nummer, Pin number, (NC = nicht belegt, not connected)		
	C	B	3	4	5
	B	A	2	3	4
	A	0	1	2	3
rot, red		24 V(+)	NC		NC
grün, green		NC	24 V(+)		NC
gelb, yellow		24 V(+)	24 V(+)		NC
blau, blue		NC	NC		24 V(+)
klar, clear		24 V(+)	24 V(+)		24 V(+)
violett, violet		24 V(+)	NC		24 V(+)
türkis, turquoise		NC	24 V(+)		24 V(+)