

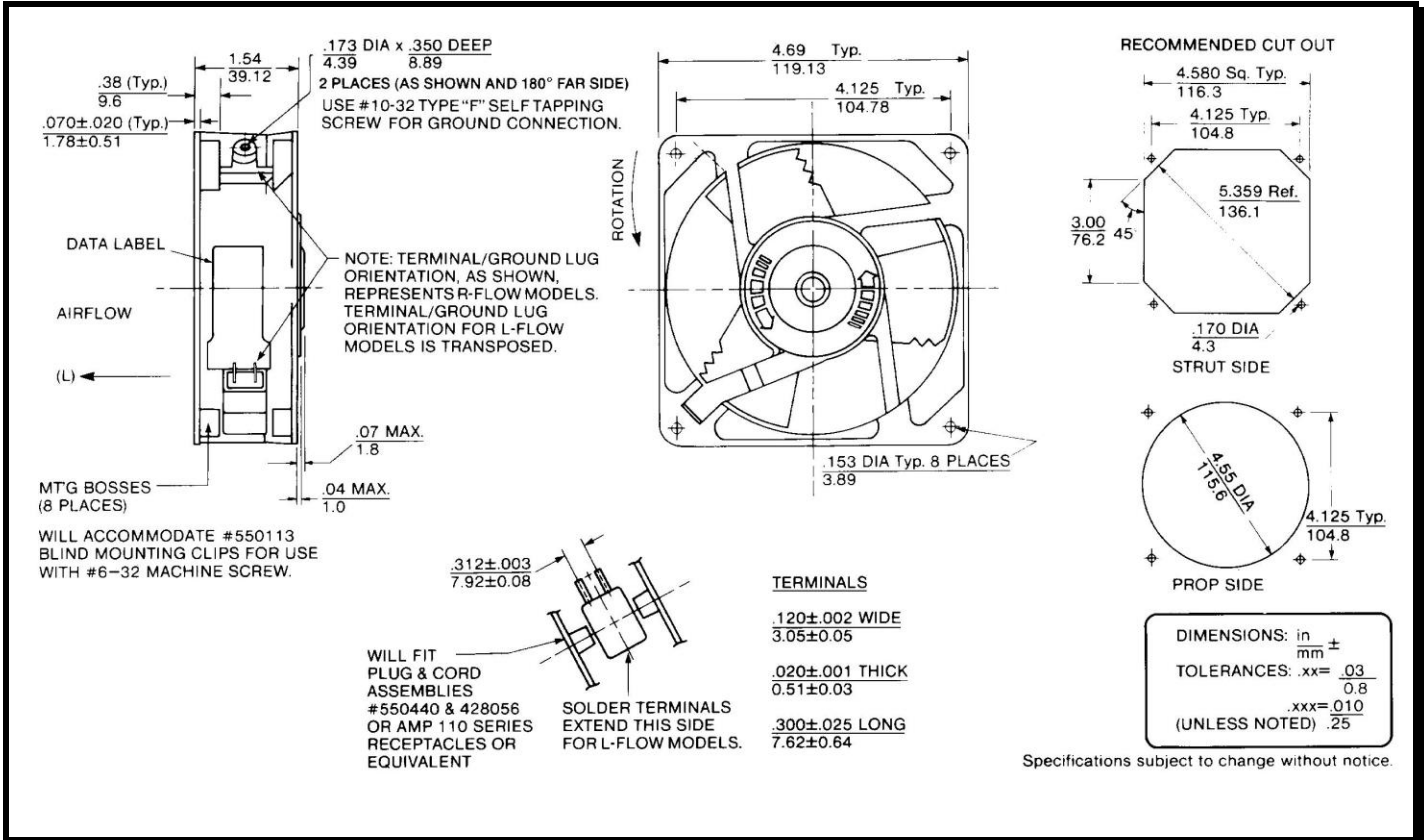
# SPECIFICATIONS



**Model Number:** MX2B4  
**Part Number:** 19030389A

Apr. 01, 2016

## Mechanical Drawing:



### Motor:

Nominal Voltage	= 115 VAC
Frequency	= 50/60 Hertz
Nominal Running Current	= 0.20/0.18 Amps
Locked Rotor Current	= 0.26/0.24 Amps
Running Power	= 17/15 Watts
Average Speed	= 2700/3100 RPM
Bearings	= Ball
Air Flow	= 115 CFM

### Construction:

Venturi: Zinc Alloy, painted black.  
 Propeller: flame retardant polypropylene with patented Feathered Edge.

### Life Expectancy:

This fan is designed for continuous duty life of 55,000 hours at 40°C

### Additional Features:

Shaded Pole Induction Motor  
 Impedance Protected  
 Feathered Edge Propeller  
 Operating Temperature: -28°C to 70°C  
 Storage Temperature: -40°C to 85°C

### Termination:

Leadwires:  
 - UL 1015  
 - 22 AWG  
 - Black  
 - 12" inches

### Agency Approvals:

UL