



Ordering number C12446_SOPHIE

| | | | |
|-----------------|---------------|-------------|--------------|
| Family | Sophie | FWHM | Asym degrees |
| Type | Lens array | Efficiency | 89 % |
| LED | XP-G | cd/lm | 0.600 |
| Color | Clear | Gerber File | Available |
| Diameter | 150 mm | | |
| Height | 10.43 mm | | |
| Style | Rectang | | |
| Optic Material | PMMA | | |
| Holder Material | - | | |
| Fastening | Glue | | |
| Status | On production | | |

NOTE: The typical divergence will be changed by different color, chip size and chip position tolerance. The typical total divergence is the full angle measured where the luminous intensity is half of the peak value.



PRODUCT DATASHEET

Sophie series

last update 10/9/2013

GENERAL INFORMATION

- Product series especially designed & optimized for XP-G series of LEDs.
- Special care taken to make light distribution as uniform as possible.
- Lens material optical grade PMMA with high UV and temperature resistance. Allows use of high current and temperature conditions.

Please find more information about used material from below:

http://ledil.fi/sites/default/files/Documents/Technical/Material/PMMA%20N%20UL94_Yellow%20Card.pdf

<http://ledil.fi/sites/default/files/Documents/Technical/Material/PMMA%20N%20PLEXIGLAS-Datasheet.pdf>

- Fastening to PCB with appropriate adhesive. By clicking link below you can find Ledil recommended glue options.

http://www.ledil.com/datasheets/DataSheet_GLUES.pdf

NOTE 1: We advise customer to ensure the suitability and sufficiency of the bond in the end product. For example, mechanical stress, vibration and holes on the surface of the circuit board weaken the strength of the glue.

NOTE 2: All surfaces where glue is applied must be clean, dry and free from grease and dirt. If cleaning of PCB surfaces is needed, please follow strictly the cleaning instructions of your LED manufacturer -this is important as cleaning shall under no circumstances damage LEDs or other electronics components on the PCB.

Further note that optical components shall not be cleaned with any chemicals - only micro fiber cloth may be used to remove fingerprints or other traces from handling.

D

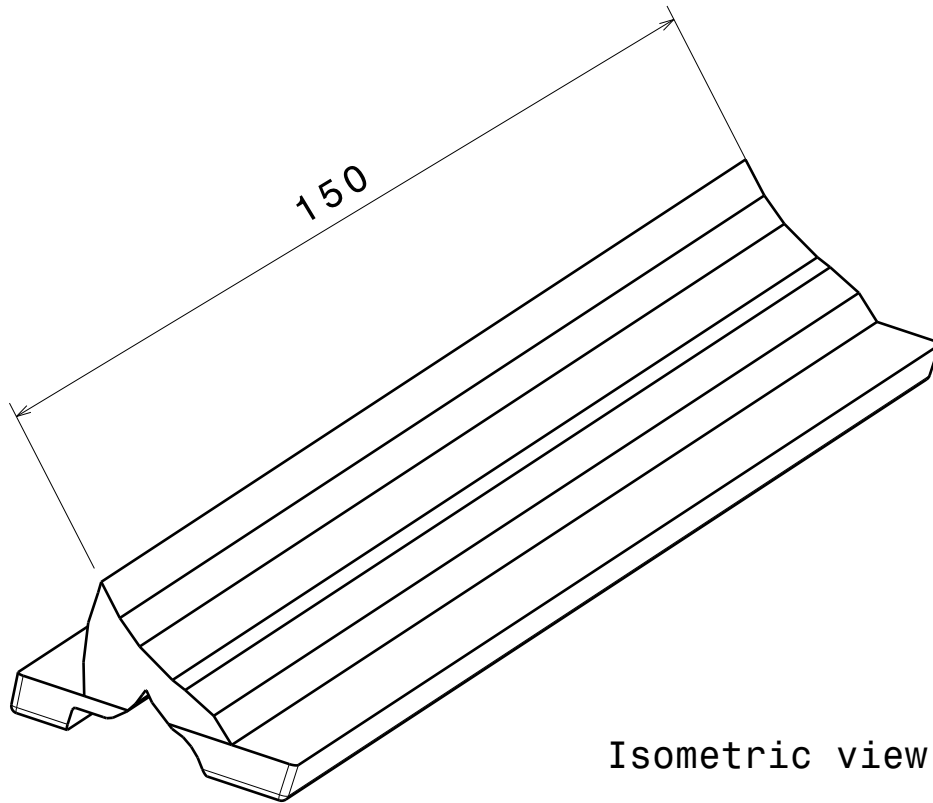
C

B

A

4

4



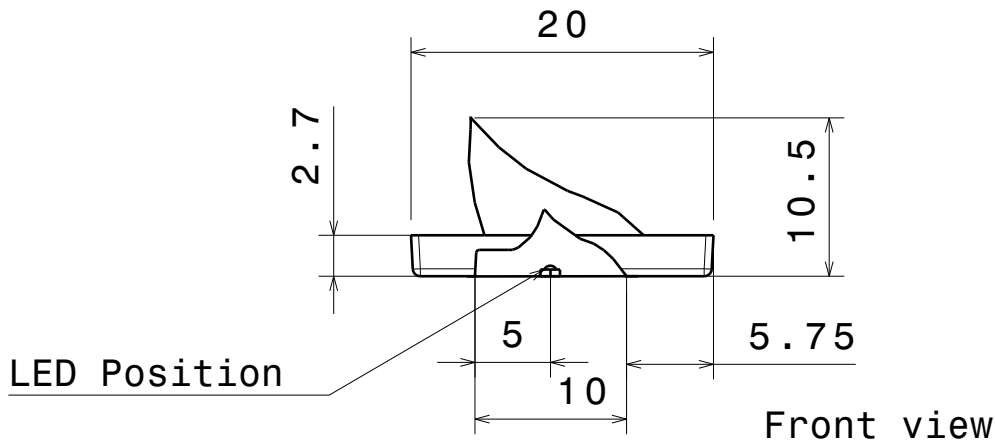
Isometric view

3

3

2

2



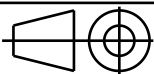
Front view

MATERIAL: PMMA clear

Tolerances if not otherwise shown
 According to DIN ISO 2768-1
 Linear measures:
 Up to 30mm class F, otherwise class M.
 According to DIN ISO 2768-2
 Form and position: class K

LEDiL Ledil Oy
 Salorankatu 10
 FIN 24240 SALO
 Finland

THIRD ANGLE PROJECTION:



DRAWING TITLE

C12446_Sophie

This drawing is the property
 of LEDiL Oy. It may not be
 reproduced, copied or
 communicated without a written
 agreement with LEDiL Oy."

SIZE PART NUMBER

A4

Datasheet

SCALE

1:1

WEIGHT

(g)

SHEET

1/1

D

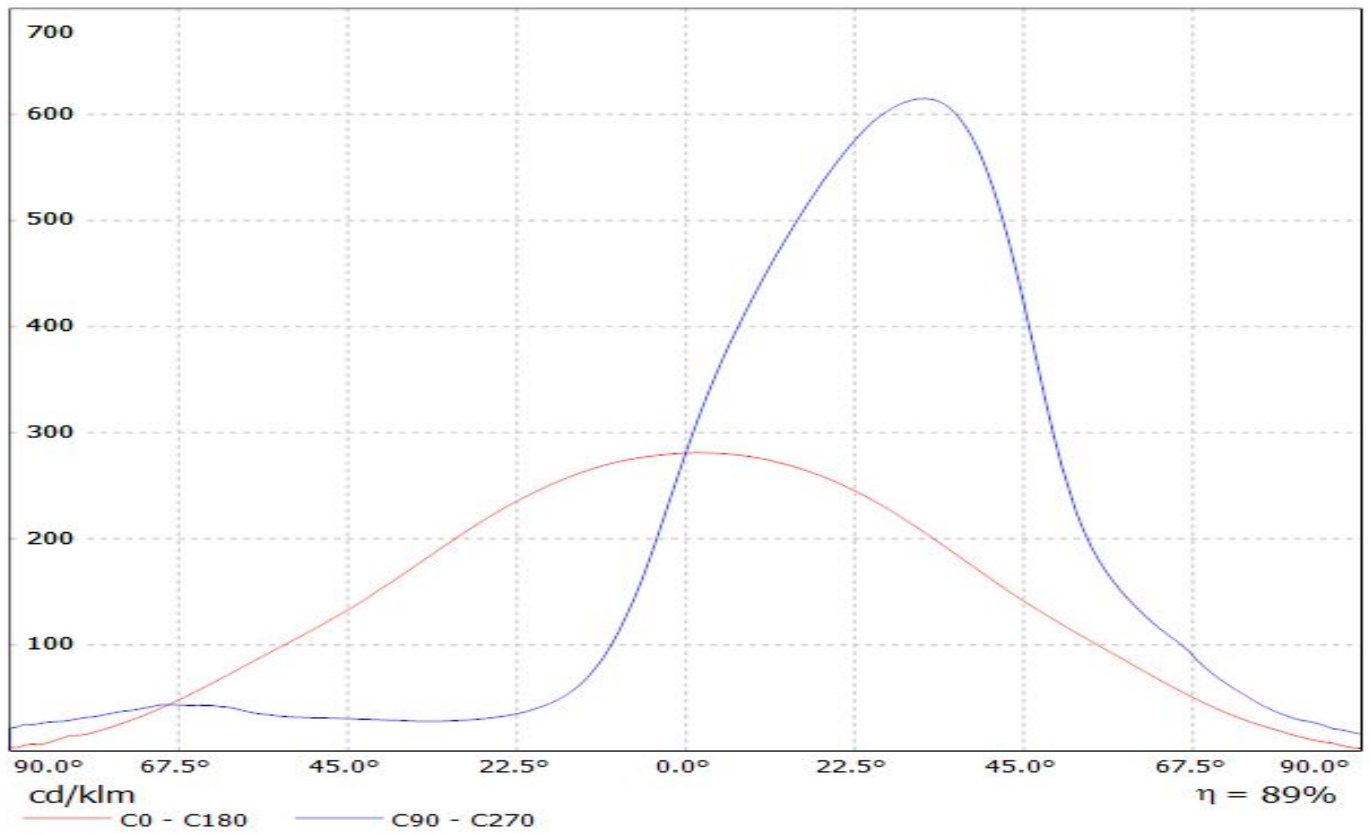
A

1

1

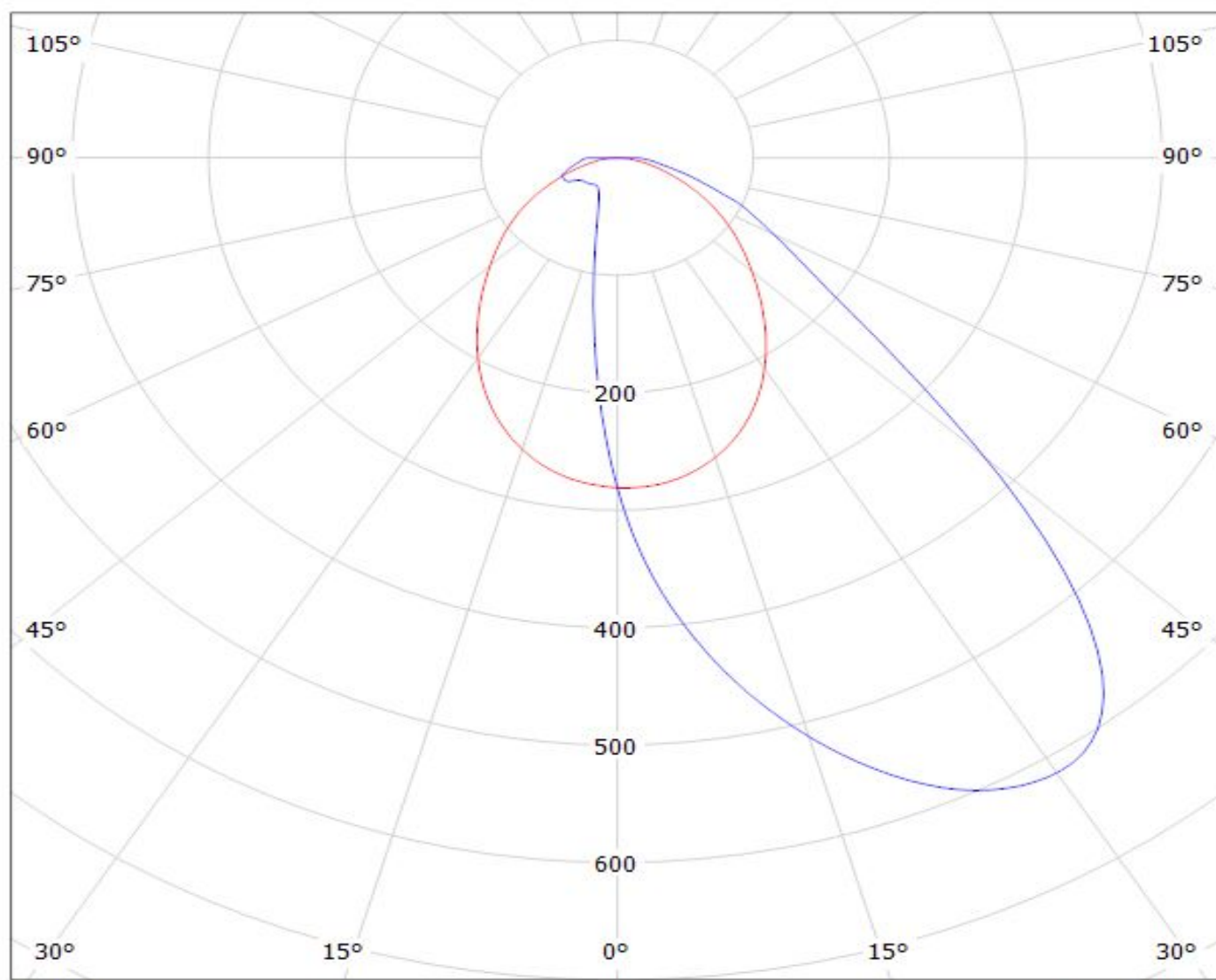
LEDiL Oy C12446_SOPHIE_(XP-G) Eff.89.2% / LDC (Linear)

Luminaire: LEDiL Oy C12446_SOPHIE_(XP-G) Eff.89.2%
Lamps: 1 x CREE XP-G 6x1 (556.247lm@250mA)



LEDiL Oy C12446_SOPHIE_(XP-G) Eff.89.2% / LDC (Polar)

Luminaire: LEDiL Oy C12446_SOPHIE_(XP-G) Eff.89.2%
Lamps: 1 x CREE XP-G 6x1 (556.247lm@250mA)



cd/klm

— C0 - C180

— C90 - C270

$\eta = 89\%$