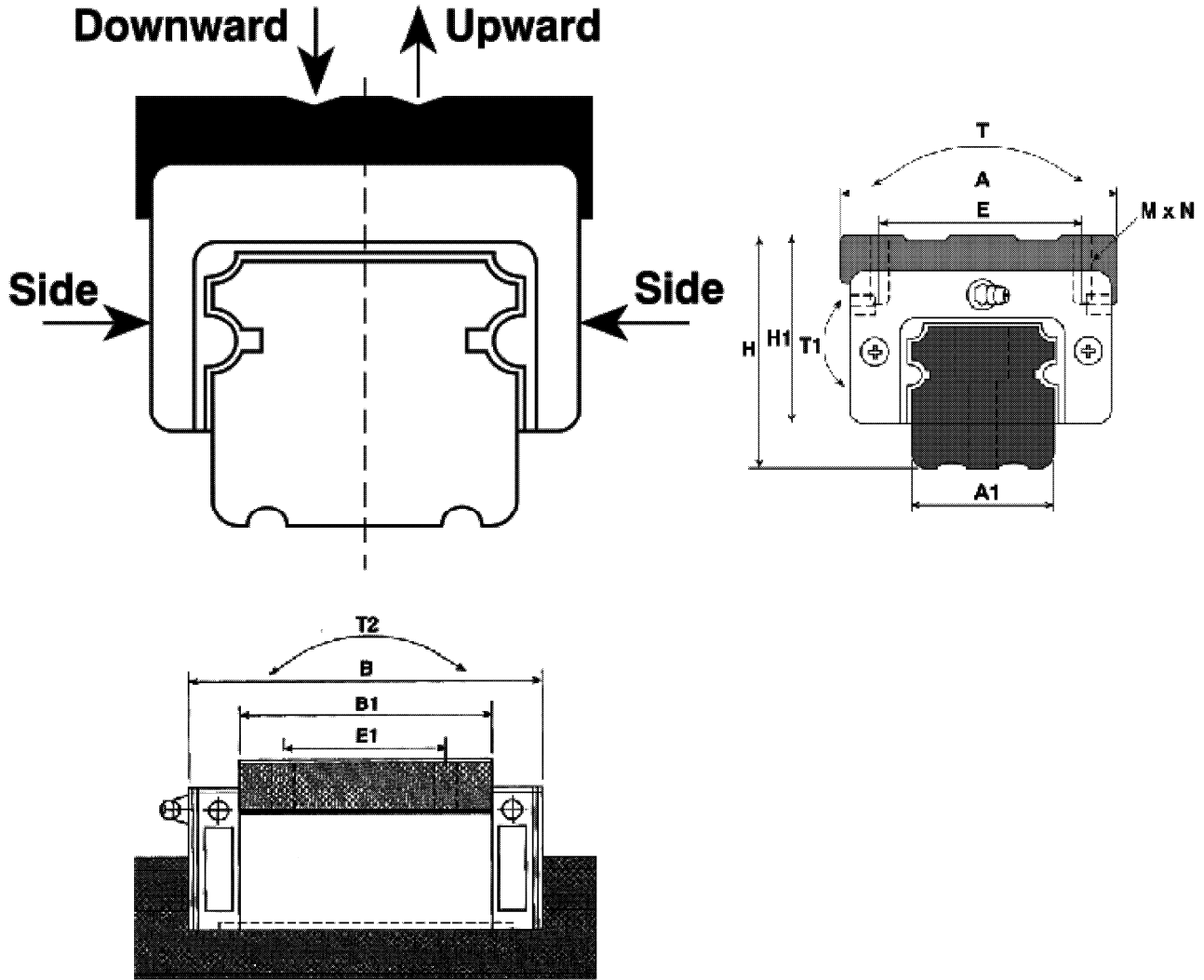


# Linear Guides Metric Hi-Load Series



### Dimensions :

| type     | H  | H1 | A  | A1 | E  | E1 | B    | B1 | M×N  |
|----------|----|----|----|----|----|----|------|----|------|
| LAH20AN2 | 30 | 25 | 44 | 20 | 32 | 36 | 69.8 | 50 | M5×6 |
| LAH25AN2 | 40 | 33 | 48 | 23 | 35 | 35 | 79   | 58 | M6×9 |

### Basic load ratings :

| type     | static torque NM |     |     | dynamic CN | static CON |
|----------|------------------|-----|-----|------------|------------|
|          | T                | T1  | T2  |            |            |
| LAH20ANZ | 220              | 180 | 180 | 11500      | 25600      |
| LAH25ANZ | 360              | 310 | 320 | 17000      | 40000      |

### Basic load rating correction for load direction :

| load direction | basic dynamic load rating | basic static load rating |
|----------------|---------------------------|--------------------------|
| downward       | C                         | CO                       |
| upward         | C                         | 0.75CO                   |
| side           | 0.88C                     | 0.63CO                   |