

Product Overview:

- High quality linear PSUs with low noise and ripple DC output
- Designed to provide battery backed DC power for security, access control and related applications
- Secondary switched mode technology for efficiency and reliability without HF switching noise
- E270 provides 13.8Vdc 4A max.
- E271 supports 27.4Vdc 2.5A max.
- Powder coated steel case houses PSU and batteries
- Front panel LED indicator confirms AC power present
- Flag output provides low battery signal for external LED
- 2x Ø20mm knockouts top and bottom for wiring access
- Access panel secured with tamperproof security screws
- Provision included for anti-tamper switch installation



Available from RS Components

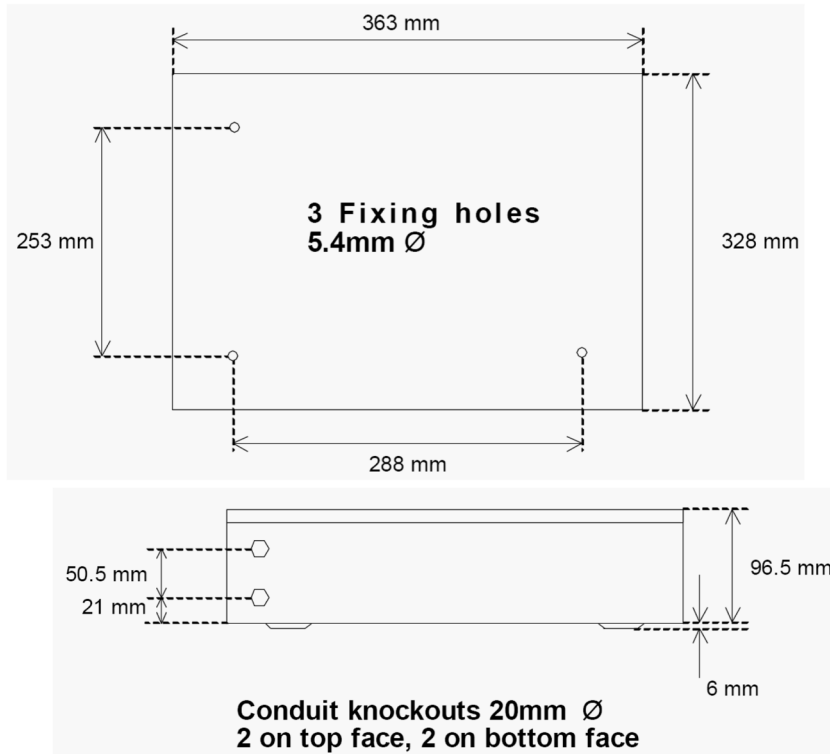
Technical Specification:

	E270	E271
INPUT		
Voltage	115/230Vac ±10%	
IFrequency	50/60Hz	
OUTPUT		
Voltage (float)	13.8Vdc	27.4Vdc
Current	4A max.	2.5A max.
CurrentLoad/Line regulation	<01.%	
Output ripple	<0.5V nom.	
Low battery flag level	10.5V nom.	18.4V nom.
Flag drive current	10mA nom.	
Weight (ex. Battery)	5.0kg	5.0kg
Battery compartment size	320mm x 95mm 190mm	
Operating Temperature	0°C to +40°C	
Safety & EMC Standards	EN60950, EN50081-1 , EN50082-1 & EN61000.3.2	

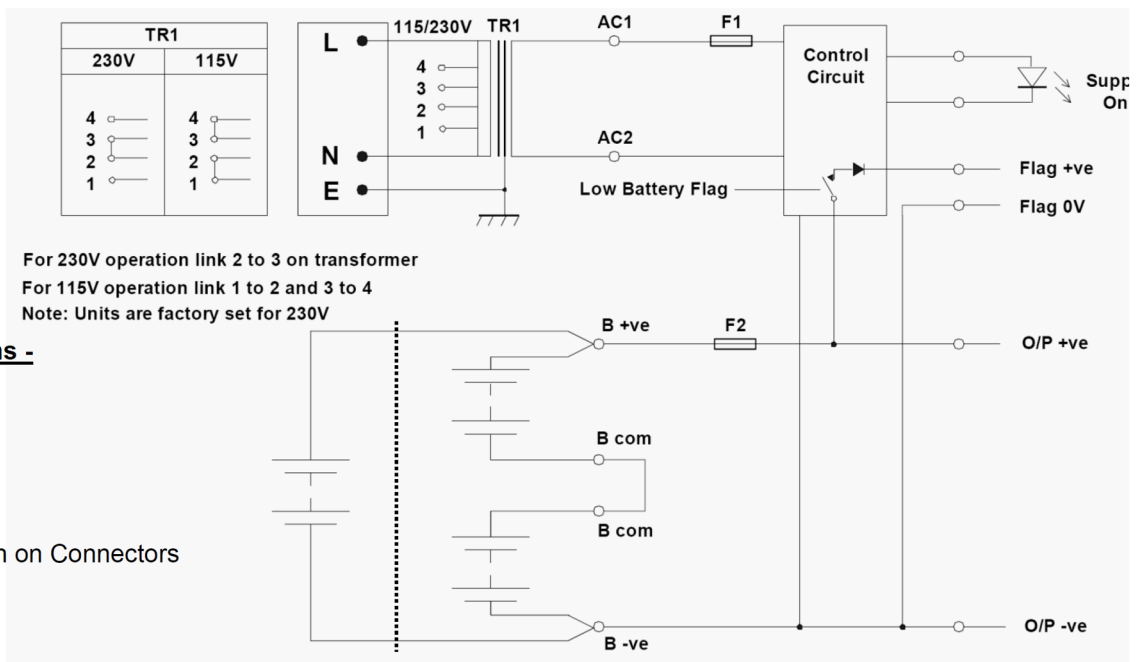
Ordering Information:

Model No.	Devlin Part No.	RS Part No.	Description
E270	PSU-E270-010	RS 537-5236	13.8Vdc 4A max.
E271	PSU-E271-010	RS 537-5258	27.4Vdc 2.5A max.

Dimensions:



Battery Configuration:



Batteries: (E271 requires 2 batteries)

Voltage	Rating	Yuasa p/n	Weight
12V	7Ah	NP 7-12	2.65kg

+44 (0)1256 467 367

sales@devlin.co.uk

www.devlin.co.uk