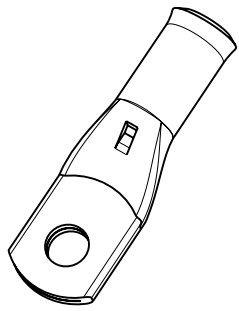
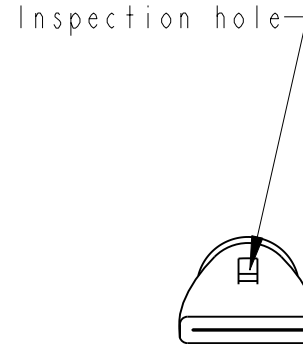
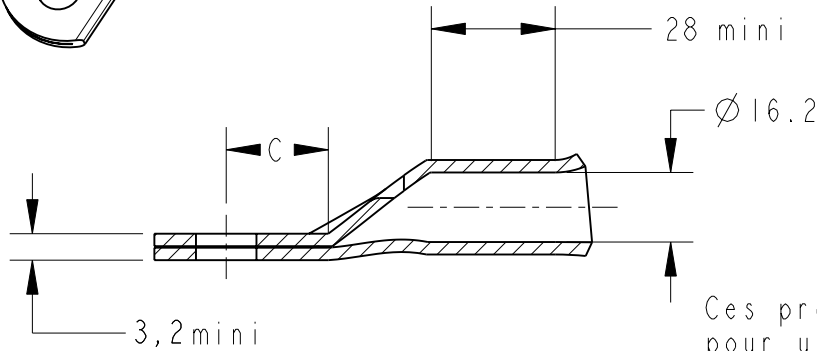


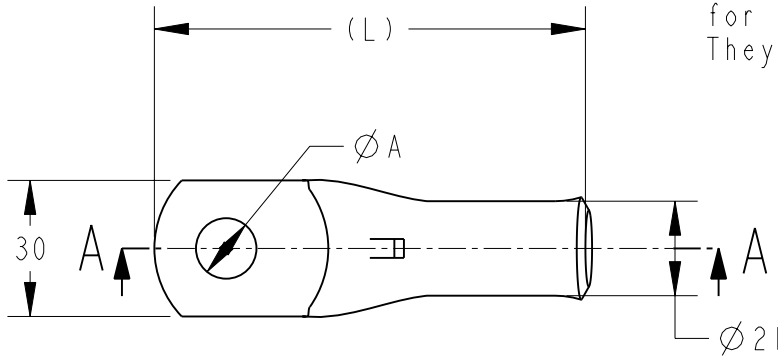
LOC	DIST	REVISIONS				
P	LTR REV	DESCRIPTION MODIFICATIONS	DATE	DWN DESS.	APVD APP.	
FH	00	C	PASSAGE SOUS PROE - A ET R 09PFG0200b	15DEC00	DL JT	
		D	MISE A JOURS / AJOUT NOTA	07DEC2009	BG GP	



COUPE A-A



Ces produits ne sont pas prévus pour une utilisation automobile. Ils répondent à la norme NFC 20-130
 These products are not intended for use in the car industry. They meet the standard NFC 20-130



(L)	C	ØA	DESCRIPTION	PART NUMBER
81,5	16,3	10,3	XCT 150-10	709821-2
81,5	16,3	12,8	XCT 150-12	709821-3
81,5	16,3	14,5	XCT 150-14	709821-4
81,5	16,3	16,5	XCT 150-16	709821-5

- 1 - MATERIAL = TINNED COPPER
- 2 - Marking in depth: logo-section-hole-Made in France +
- 3 - CABLE SECTION = 300 MCM or 150 mm²
- 4 - GROOVE E150Cu OR DIE (Punch 17PC240+ Die 17MI50)

20

RELEASED FOR PUBLICATION
 LIBRE A LA DIFFUSION

BY TYCO ELECTRONICS CORPORATION ALL INTERNATIONAL RIGHTS RESERVED.
 © COPYRIGHT 20

THIS DRAWING IS UNPUBLISHED.
 DIFFUSION RESTREINTE

TOLERANCES UNLESS OTHERWISE SPECIFIED: -
 TOLERANCES NON SPECIFIEES: -

DIMENSIONS: mm	DWN/DESSINE D. LEROY	15DEC00	MATERIAL MATIERE	CUIVRE	FINISH FINITION	ETAME
	CHK/VERIFIE L. MAINIER	-	SIMEL PRODUCTS			
TOLERANCES UNLESS OTHERWISE SPECIFIED: TOLERANCES NON SPECIFIEES (SUIV NB DE DECIMALES): 0 PLC/DEC: ±0 1 PLC/DEC: ±0 2 PLC/DEC: ±0 3 PLC/DEC: ±0 4 PLC/DEC: ±0 ANGLES ±-	APVD/APPROUVE G. PORCHERAY	-				
	PRODUCT SPEC SPEC. PRODUIT	-	SIZE FORMAT	CAGE CODE	DRAWING NO No PLAN	RESTRICTED TO RESERVE A
	APPLICATION SPEC SPEC. APPLICATION	-	A4	00779	©=709821	-
	WEIGHT MASSE APPROX.	- g	CUSTOMER DRAWING /PLAN CLIENT		UNIQUEMENT POUR REFERENCE	SCALE ECHELLE - / -
			SHEET FEUILLE 1	OF DE 1	REV D	