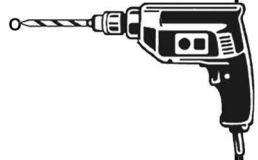
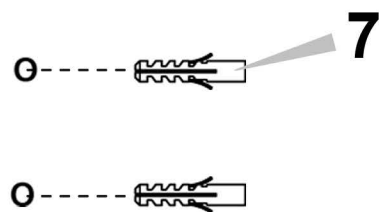


4

Level the mount and mark.



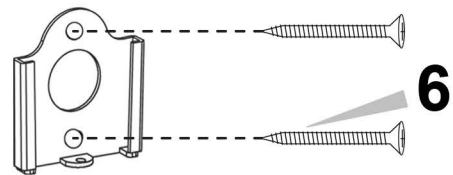
Drill the mounting holes.



7

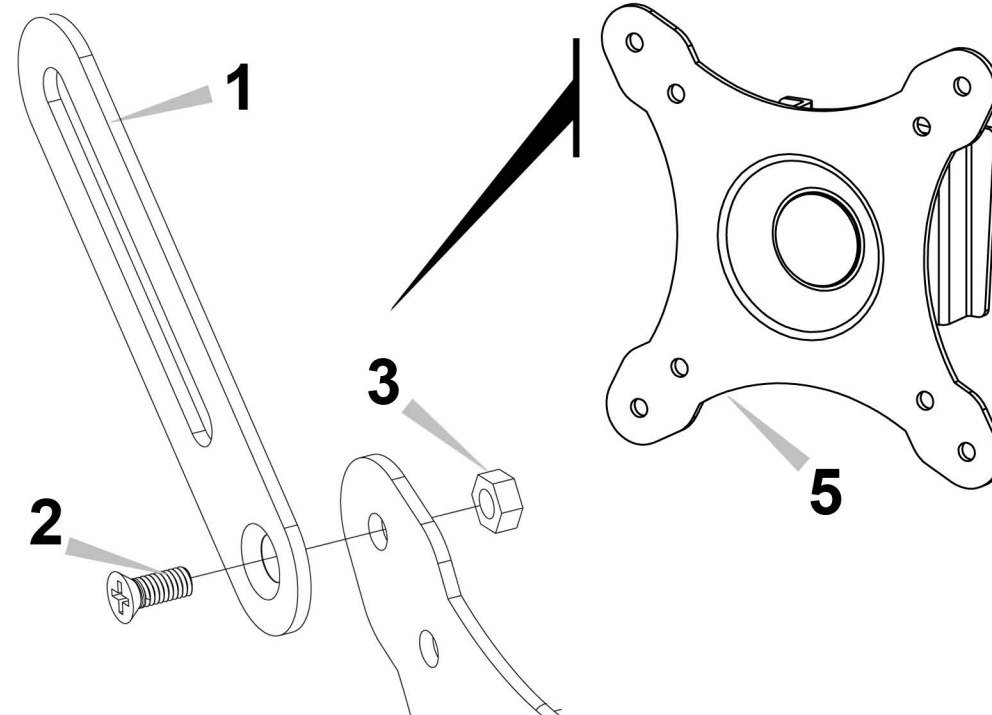
Insert the wall anchors* to the wall and tap them flush with a hammer.

* Never use wall anchors on drywall

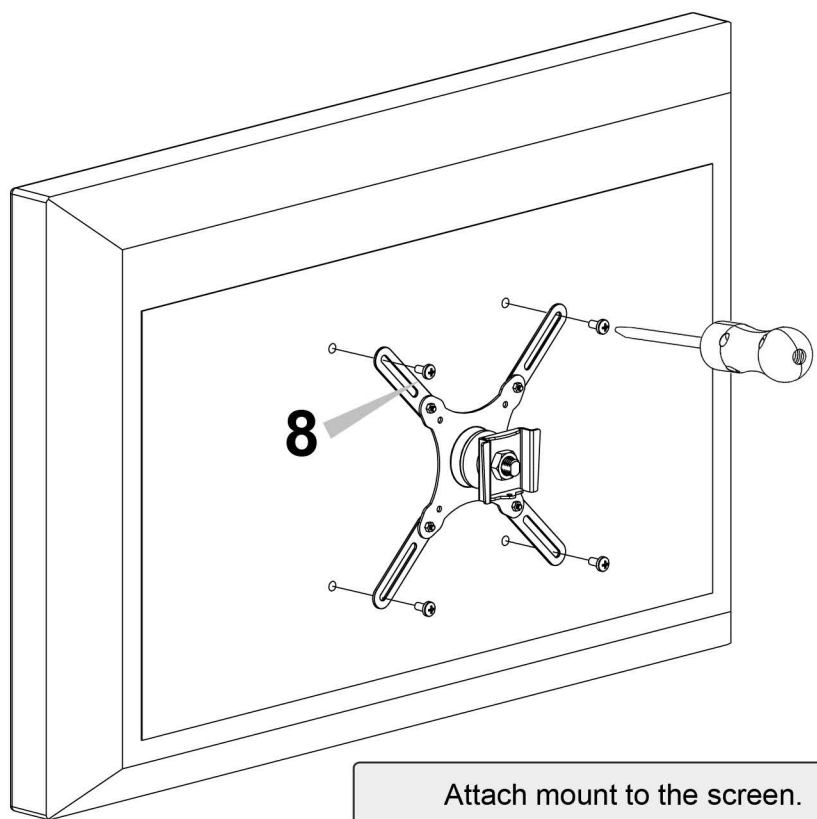


6

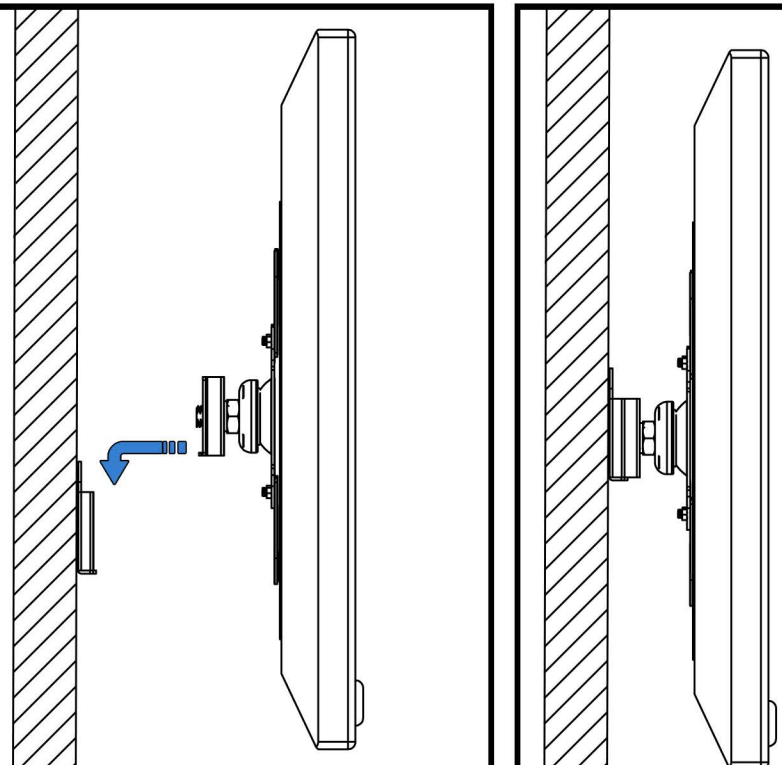
Fix the plate to the wall.



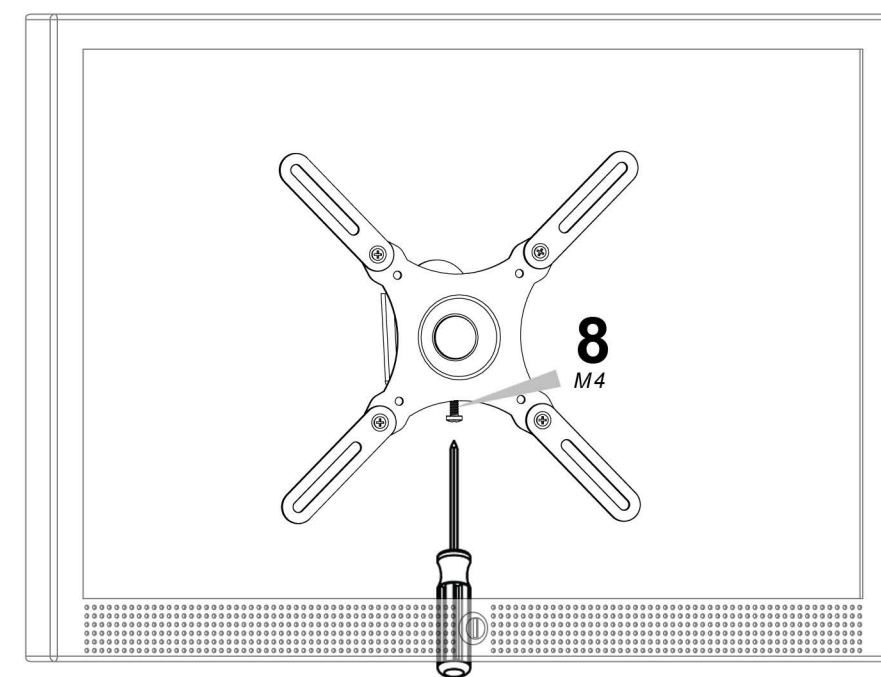
Attach the extensions to the base if needed.



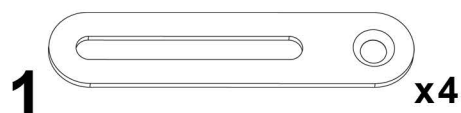
Attach mount to the screen.



Mount screen to the wall.

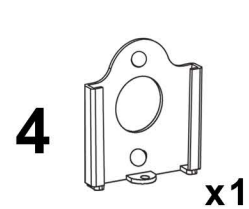


Tightly secure the safety lock.



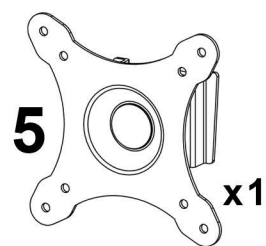
1

x4



4

x1



5

x1



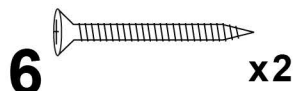
2

x4



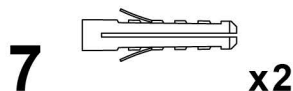
3

x4



6

x2



7

x2



M4

x5

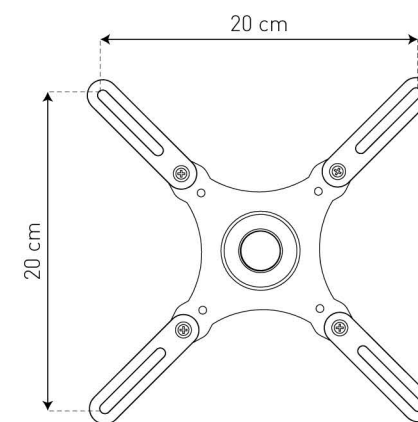
M6

x4

8

M8

x4



Adjustable adapter installation

