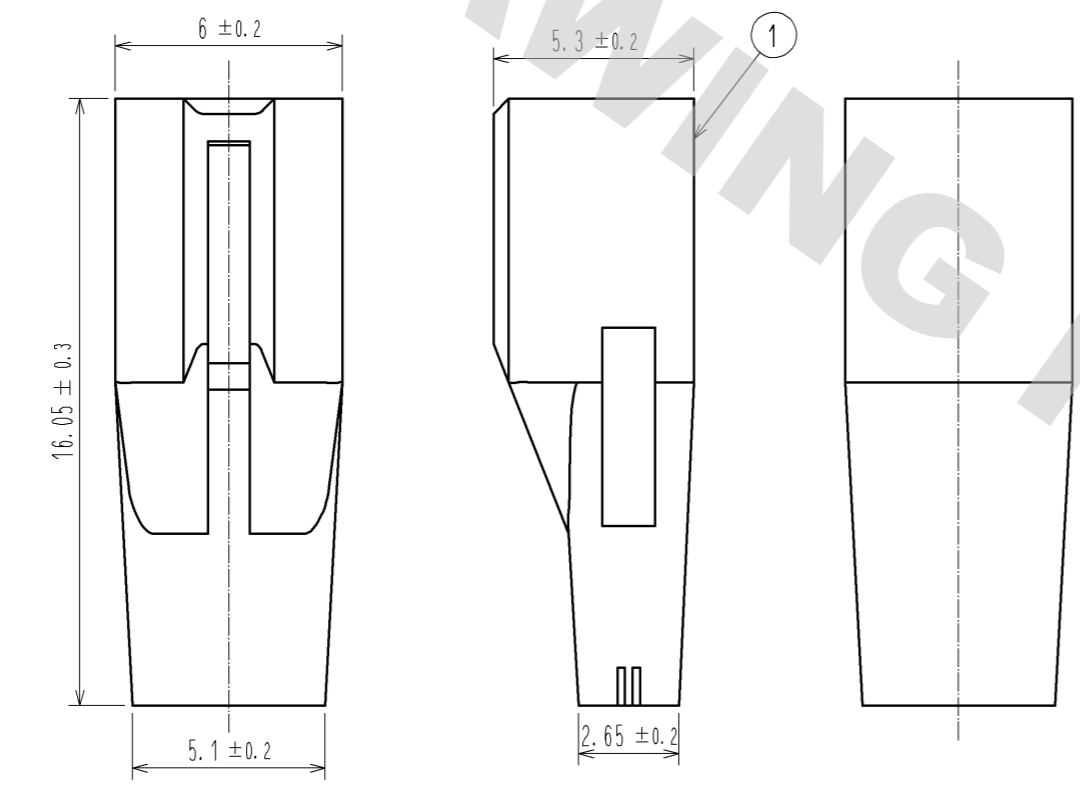
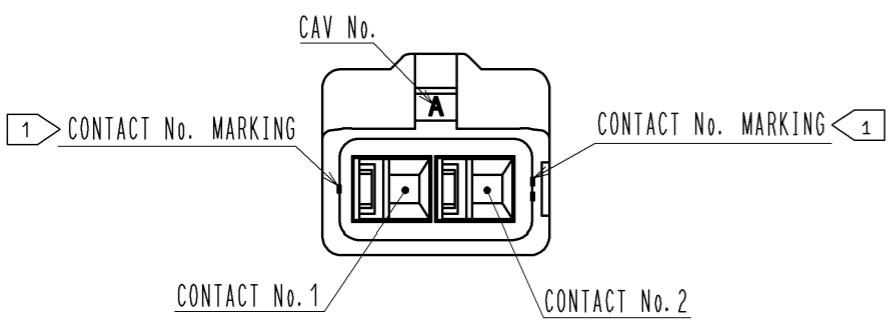
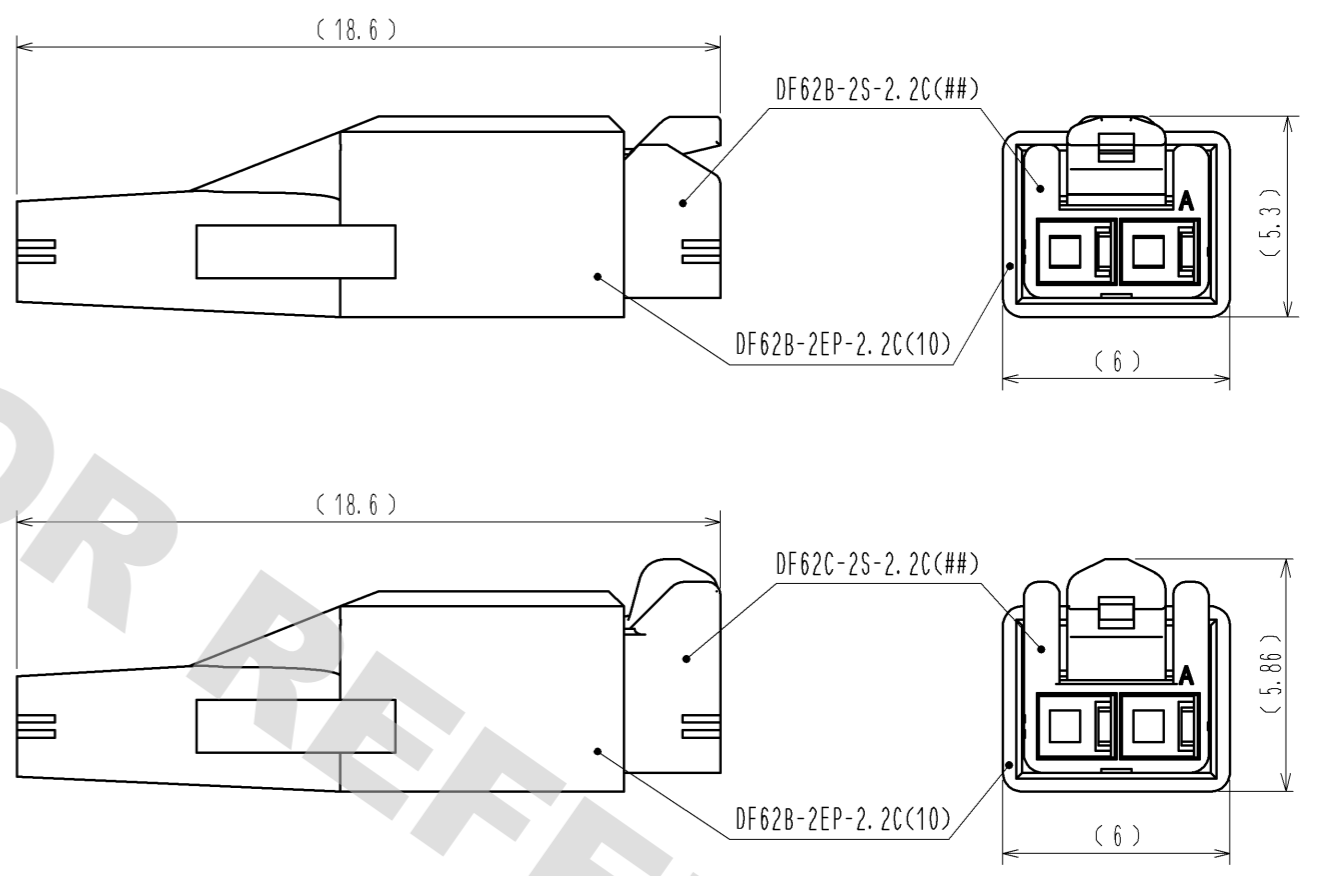


DRAWING FOR REFERENCE: This is subject to change without notice
12/05/2013

① FIGURE-1 CONTACT No. MARKING (10:1)



MATING FIGURE



NOTE. ① MARKINGS AT THE INDICATED POSITIONS ARE CONTACT NO. MARKING. AND SHAPES ARE SHOWN IN FIGURE-1.
2. PER PACK : 100 PIECES.
3. THE DIMENSIONS IN PARENTHESIS ARE FOR REFERENCE.

NO.	MATERIAL	FINISH . REMARKS	1	PBT	UL94V-0 (WHITE)
UNITS	mm	SCALE	5 : 1	COUNT	△
APPROVED : KI. AKIYAMA			13.09.10	DRAWING NO. EDC3-351963-01	
CHECED : OM. MIYAMOTO			13.09.10	PART NO. DF62B-2EP-2.2C(10)	
DESIGNED : TH. YOSHIZAWA			13.09.09	CODE NO. CL544-0558-9-10	
DRAWN : MI. SAKIMURA			13.09.04	△ 1/1	