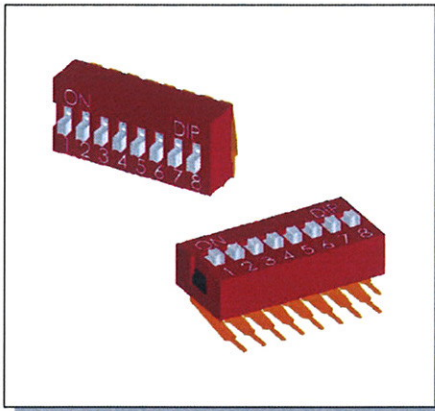
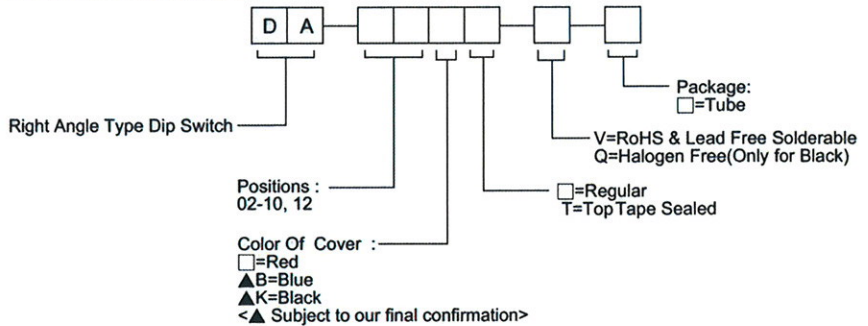


DA SERIES

SPST Standard Right Angle Type



HOW TO ORDER



SPECIFICATION

MECHANICAL

Operation Force: 1,000gf max.
Stroke: 2.0mm

ENVIRONMENTAL

Operation Temperature: -20°C to +70°C
Storage Temperature: -40°C to +85°C

ELECTRICAL

Electrical Life: 2,000 operations
Non-Switching Rating: 100mA , 50VDC
Switching Rating: 25mA , 24VDC

PACKAGE

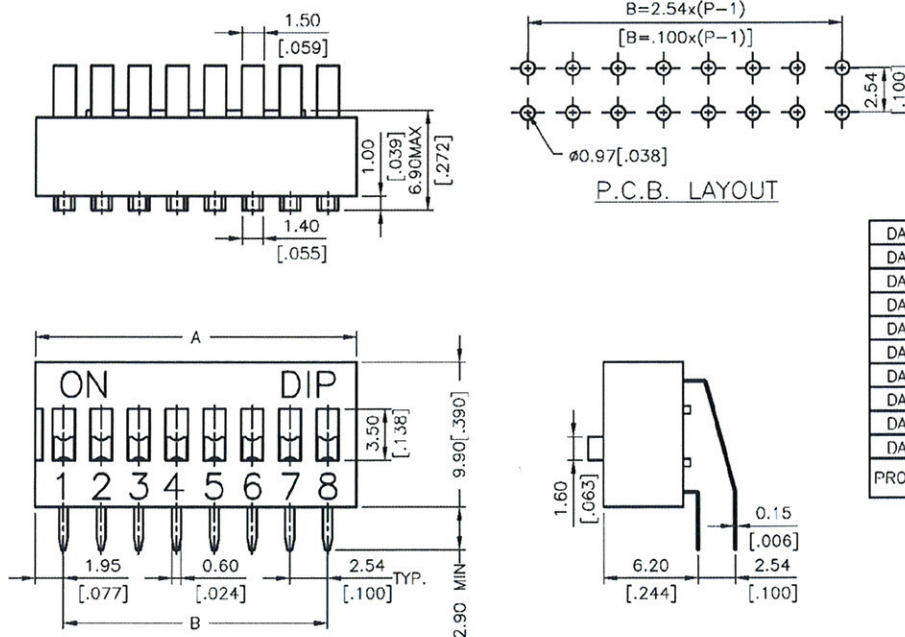
DA-02: 73pcs/tube	DA-02-T: 70 pcs/tube
DA-03: 52pcs/tube	DA-03-T: 50 pcs/tube
DA-04: 40pcs/tube	DA-04-T: 39 pcs/tube
DA-05: 33pcs/tube	DA-05-T: 32 pcs/tube
DA-06: 28pcs/tube	DA-06-T: 28 pcs/tube
DA-07: 24pcs/tube	DA-07-T: 24 pcs/tube
DA-08: 21pcs/tube	DA-08-T: 21 pcs/tube
DA-09: 19pcs/tube	DA-09-T: 19 pcs/tube
DA-10: 17pcs/tube	DA-10-T: 17 pcs/tube
DA-12: 14pcs/tube	DA-12-T: 14 pcs/tube

CIRCUIT

SCHEMATIC(TYP.)



DA



DA-12	12	31.84 [1.254]	27.94 [1.100]
DA-10	10	26.76 [1.054]	22.86 [.900]
DA-09	9	24.22 [.954]	20.32 [.800]
DA-08	8	21.68 [.854]	17.78 [.700]
DA-07	7	19.14 [.754]	15.24 [.600]
DA-06	6	16.60 [.654]	12.70 [.500]
DA-05	5	14.06 [.554]	10.16 [.400]
DA-04	4	11.52 [.454]	7.62 [.300]
DA-03	3	8.98 [.354]	5.08 [.200]
DA-02	2	6.44 [.254]	2.54 [.100]
PROD. NO.	NO. OF POS.	DIM.A	DIM.B