



Main

Range of product	Modicon Quantum automation platform
Product or component type	Relay discrete output module
Discrete output number	16

Complementary

Contacts type and composition	1 NO
Contact form	Form A
Discrete output voltage	5...30 V DC 30...150 V DC 20...250 V AC
Addressing requirement	1 output word
Minimum load	>= 50 mA 5...30 V DC >= 50 mA 20...250 V AC
Maximum load current	300 mA 30...50 V DC resistive 2 A 250/30 V AC/DC resistive at 60 °C 1 A 250/30 V AC/DC tungsten 1 A 250/30 V AC/DC 1/8 hp cos phi = 0.4
Surge current	<= 10 A for 10 ms capacitive
Switching capacity in VA	500 VA resistive
Response time on input opening	<= 20 ms at state 1 to state 0 <= 10 ms at state 0 to state 1
Mechanical durability	10000000 cycles
Electrical durability	50000 cycles 500 mA 30...150 V DC resistive 200000 cycles 2 A 250 V AC resistive 100000 cycles 300 mA 30...150 V DC resistive 100000 cycles 30...150 V DC interposing relay 100000 cycles 2 A 30 V DC resistive 100000 cycles 100 mA 30...150 V DC L/R = 10 ms
Output overvoltage protection	Internal by varistor, 275 V
Isolation between channels	1780 Vrms AC for 1 minute
Isolation between channels and bus	2500 V DC for 1 minute 1780 Vrms AC for 1 minute
Power dissipation	5.5 W + (0.5 x the number of points on)
Marking	CE
Local signalling	16 LEDs green input status 1 LED red external fault detected (F) 1 LED green bus communication is present (Active)
Bus current requirement	1100 mA
Module format	Standard
Product weight	0.41 kg

Environment

Product certifications	ABS C-Tick FM Class 1 Division 2 GOST
Standards	CSA C22.2 No 142 UL 508
Resistance to electrostatic discharge	8 kV on air conforming to IEC 801-2 4 kV contact conforming to IEC 801-2
Resistance to electromagnetic fields	10 V/m 80...2000 MHz conforming to IEC 801-3
Ambient air temperature for operation	0...60 °C
Ambient air temperature for storage	-40...85 °C
Relative humidity	95 % without condensation
Operating altitude	<= 5000 m

Offer Sustainability

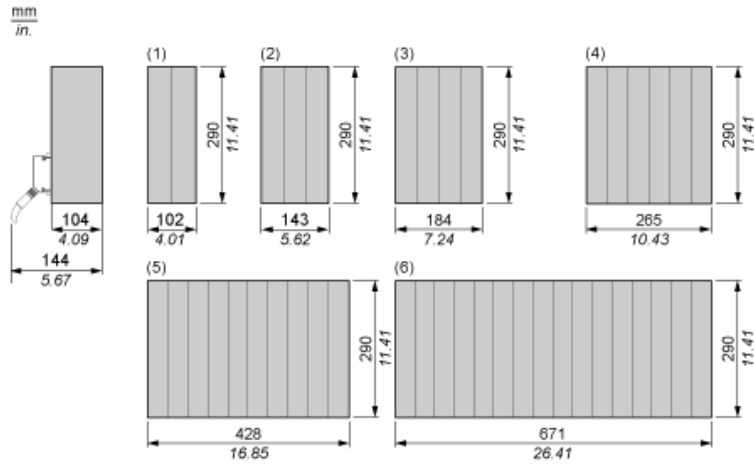
Sustainable offer status	Green Premium product
RoHS	Compliant - since 1001 - Schneider Electric declaration of conformity
REACH	Reference not containing SVHC above the threshold
Product environmental profile	Available Download Product Environmental
Product end of life instructions	Need no specific recycling operations

Contractual warranty

Period	18 months
--------	-----------

Racks for Modules Mounting

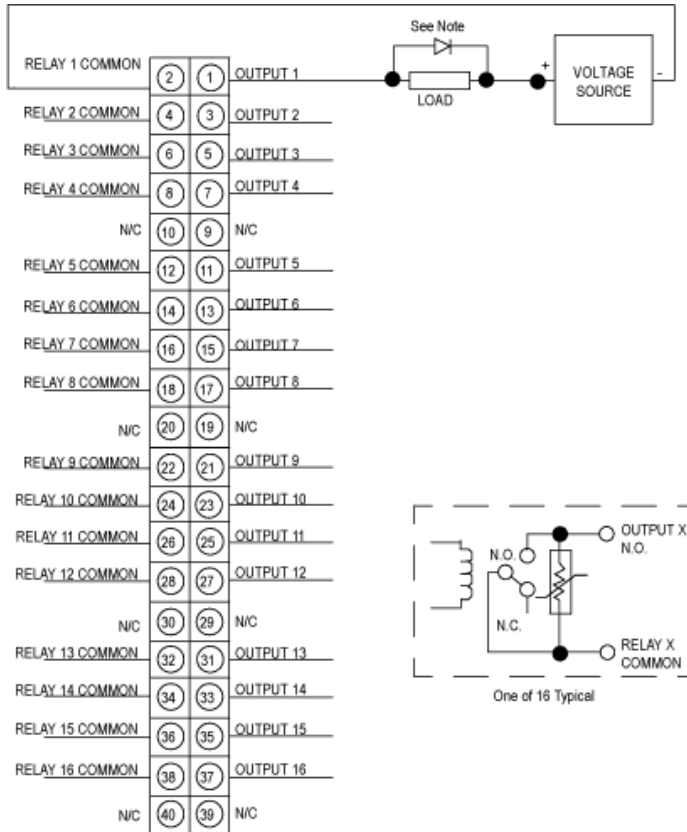
Dimensions of Modules and Racks



- (1) 2 slots
- (2) 3 slots
- (3) 4 slots
- (4) 6 slots
- (5) 10 slots
- (6) 16 slots

Relay Output Normally Open Module

Wiring Diagram



N/C Not Connected
N.O. Normally Open
N.C. Normally Closed

