

# Spezifikation für Freigabe / specification for release

Kunde / customer :

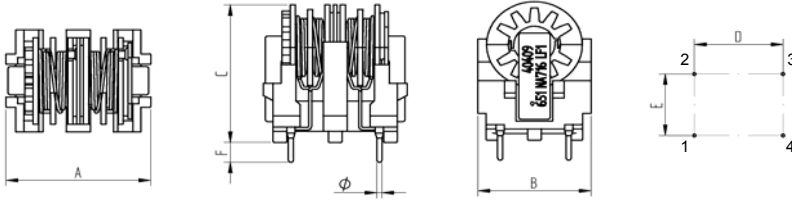
Artikelnummer / part number : **7448640416**



Bezeichnung : **STROMKOMPENSIERTE DROSSEL WE-FC**  
 description : **CURRENT-COMPENSATED CHOKE WE-FC**

DATUM / DATE : 2007-09-03

## A Mechanische Abmessungen / dimensions:

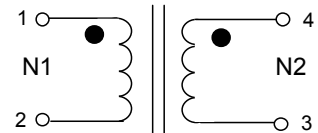


|   | Gehäuse / case: UT |    |
|---|--------------------|----|
| A | <b>21,2 max</b>    | mm |
| B | <b>16,6 max</b>    | mm |
| C | <b>22,5 max</b>    | mm |
| D | <b>13,0 ± 0,2</b>  | mm |
| E | <b>10,0 ± 0,2</b>  | mm |
| F | <b>4,5 max</b>     | mm |
| Ø | <b>0,8 typ</b>     | mm |

## B Elektrische Eigenschaften / electrical properties:

| Eigenschaften / properties         | Testbedingungen / test conditions |                 | Wert / value | Einheit / unit | tol. |
|------------------------------------|-----------------------------------|-----------------|--------------|----------------|------|
| Leerlauf-Induktivität / inductance | 10 kHz / 100 mV / 20°C            | L <sub>O</sub>  | <b>18,00</b> | mH             | min  |
| DC-Widerstand / DC-resistance      | @ 20 °C                           | R <sub>DC</sub> | <b>1,20</b>  | Ω              | ±10% |
| Nennstrom / rated current          | @ 70 °C                           | I <sub>N</sub>  | <b>0,50</b>  | A              |      |
| Nennspannung / rated voltage       | 50 Hz                             | U <sub>N</sub>  | <b>250</b>   | V              |      |

## C Schaltbild / schematic:



## D Prüfgeräte / test equipment:

**WAYNE KERR WK3260B/WK3265** für/for L<sub>0</sub> und/and R<sub>DC</sub>  
**HP 34401 A** für/for I<sub>N</sub>

## E Testbedingungen / test conditions:

Luftfeuchtigkeit / humidity: 33%  
 Umgebungstemperatur / temperature: 20 °C  
 Prüfspannung / isolation voltage: 2000 V, 50 Hz

## F Werkstoffe & Zulassungen / material & approvals:

Gehäuse / case: UL94V-0  
 Draht / wire: P155 IEC317-20  
 Kern / core: MnZn-Ferrite / MnZn ferrite

## G Eigenschaften / general specifications:

Klimabeständigkeit/ climatic class: 40/125/21  
 Betriebstemp. / operating temperature: -25°C - + 125°C  
 Übertemperatur / temperature rise: < 55 K  
 It is recommended that the temperature of the part does not exceed 125°C under worst case operating conditions.

| Freigabe erteilt / general release: |                          | Kunde / customer |                         |              |
|-------------------------------------|--------------------------|------------------|-------------------------|--------------|
| .....                               | .....                    |                  |                         |              |
| Datum / date                        | Unterschrift / signature |                  |                         |              |
|                                     |                          | Würth Elektronik |                         |              |
| .....                               | .....                    |                  |                         |              |
| Geprüft / checked                   | Kontrolliert / approved  | Name             | Änderung / modification | Datum / date |

This electronic component has been designed and developed for usage in general electronic equipment. Before incorporating this component into any equipment where higher safety and reliability is especially required or if there is the possibility of direct damage or injury to human body, for example in the range of aerospace, aviation, nuclear control, submarine, transportation, (automotive control, train control, ship control), transportation signal, disaster prevention, medical, public information network etc, Würth Elektronik eiSos GmbH must be informed before the design-in stage. In addition, sufficient reliability evaluation checks for s: must be performed on every electronic component which is used in electrical circuits that require high safety and reliability functions or performance.

### Würth Elektronik eiSos GmbH & Co. KG

D-74638 Waldenburg · Max-Eyth-Strasse 1 - 3 · Germany · Telefon (+49) (0) 7942 - 945 - 0 · Telefax (+49) (0) 7942 - 945 - 400  
<http://www.we-online.com>

# Spezifikation für Freigabe / specification for release

Kunde / customer :

Artikelnummer / part number : **7448640416**



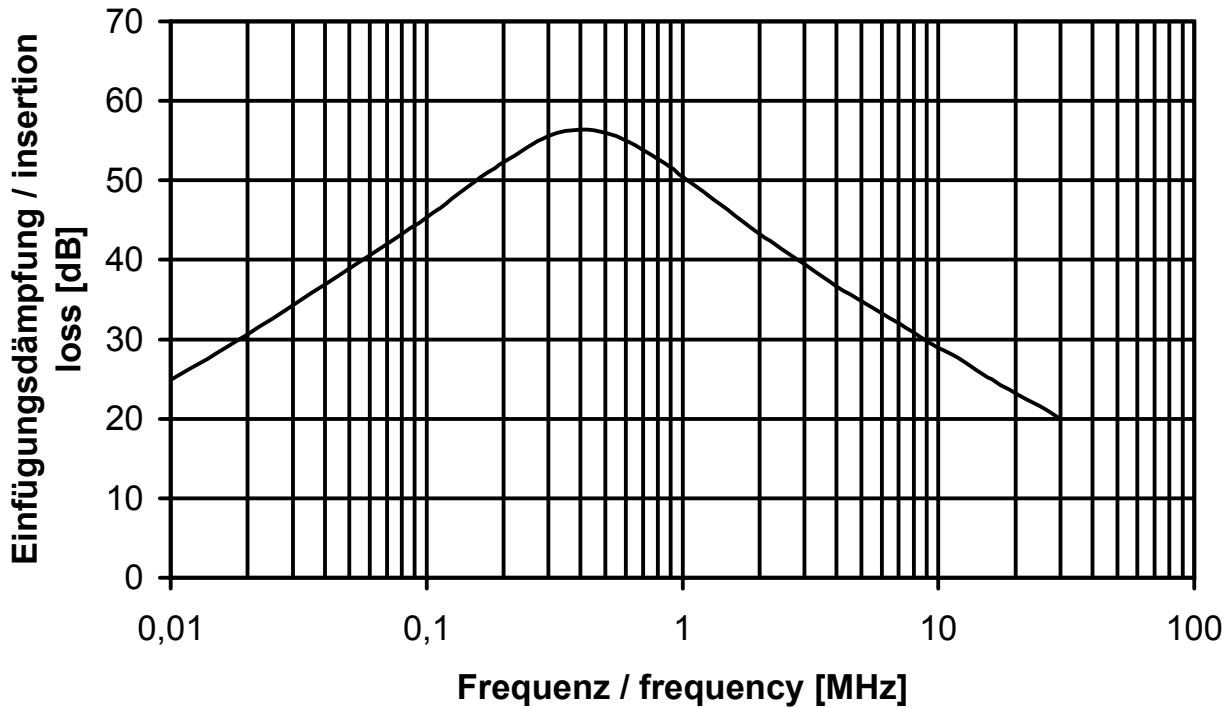
Bezeichnung : **STROMKOMPENSIERTE DROSSEL WE-FC**

description : **CURRENT-COMPENSATED CHOKE WE-FC**

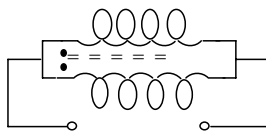
DATUM / DATE : 2007-09-03

## H Einfügdämpfung / insertion loss:

### typischer Dämpfungsverlauf / typical attenuation curve



common mode



|                   |                         |              |                         |
|-------------------|-------------------------|--------------|-------------------------|
|                   |                         |              |                         |
| Datum / date      |                         |              |                         |
|                   |                         |              |                         |
| Geprüft / checked | Kontrolliert / approved |              |                         |
| Geprüft / checked | Kontrolliert / approved | Name         | Änderung / modification |
|                   |                         | Datum / date |                         |

This electronic component has been designed and developed for usage in general electronic equipment. Before incorporating this component into any equipment where higher safety and reliability is especially required or if there is the possibility of direct damage or injury to human body, for example in the range of aerospace, aviation, nuclear control, submarine, transportation, (automotive control, train control, ship control), transportation signal, disaster prevention, medical, public information network etc, Würth Elektronik eiSos GmbH must be informed before the design-in stage. In addition, sufficient reliability evaluation checks for safety must be performed on every electronic component which is used in electrical circuits that require high safety and reliability functions or performance.

### Würth Elektronik eiSos GmbH & Co. KG

D-74638 Waldenburg · Max-Eyth-Strasse 1 - 3 · Germany · Telefon (+49) (0) 7942 - 945 - 0 · Telefax (+49) (0) 7942 - 945 - 400  
<http://www.we-online.com>

# Spezifikation für Freigabe / specification for release

Kunde / customer :

Artikelnummer / part number : **7448640416**

Bezeichnung : **STROMKOMPENSIERTE DROSSEL WE-FC**

description : **CURRENT-COMPENSATED CHOKE WE-FC**

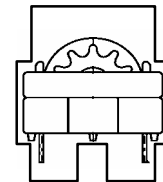
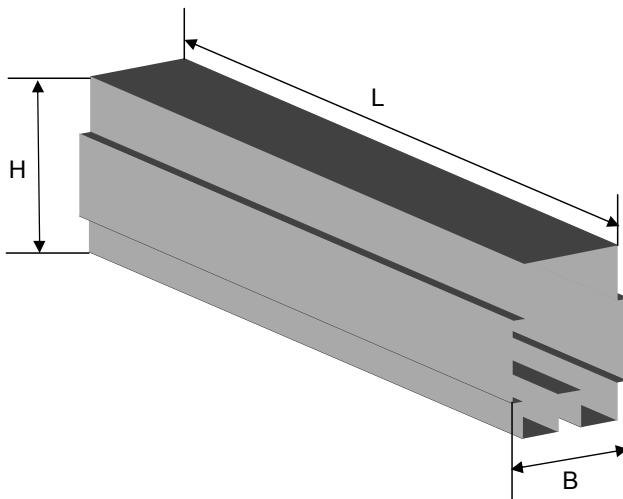


DATUM / DATE : 2007-09-03

## I Stangenspezifikation / tube specification:

| Stangenspezifikation / tube specification: |             |    |
|--|-------------|----|
| L  | <b>525</b>  | mm |
| H  | <b>31</b>   | mm |
| B  | <b>24,5</b> | mm |

**Menge: 23 Stück/Stange**  
**quantity: 23 pieces/tube**



|                                     |                          |      |                         |              |
|-------------------------------------|--------------------------|------|-------------------------|--------------|
| Freigabe erteilt / general release: | <b>Kunde / customer</b>  |      |                         |              |
| Datum / date                        | Unterschrift / signature |      |                         |              |
|                                     | <b>Würth Elektronik</b>  |      |                         |              |
| Geprüft / checked                   | Kontrolliert / approved  | Name | Änderung / modification | Datum / date |

This electronic component has been designed and developed for usage in general electronic equipment. Before incorporating this component into any equipment where higher safety and reliability is especially required or if there is the possibility of direct damage or injury to human body, for example in the range of aerospace, aviation, nuclear control, submarine, transportation, (automotive control, train control, ship control), transportation signal, disaster prevention, medical, public information network etc, Würth Elektronik eiSos GmbH must be informed before the design-in stage. In addition, sufficient reliability evaluation checks for safety must be performed on every electronic component which is used in electrical circuits that require high safety and reliability functions or performance.

### Würth Elektronik eiSos GmbH & Co. KG

D-74638 Waldenburg · Max-Eyth-Strasse 1 - 3 · Germany · Telefon (+49) (0) 7942 - 945 - 0 · Telefax (+49) (0) 7942 - 945 - 400  
<http://www.we-online.com>