

PRODUCT SPECIFICATION

COSMO ELECTRONICS CO., LTD.	Photocoupler : KMOC3022	SHEET 1 OF 2
---------------------------------------	-----------------------------------	--------------

Optoisolators Triac Driver Output (400V Volts Peak)

- For 115/240 Vac(rms) Application:

Solenoid/Valve Controls	Temperature Controls
Lighting Controls	E. M. Contactors
Static Power Switches	AC Motor Staters
AC Motor Drives	Solid State Relays

- Absolute Maximum Ratings

(Ta=25° C)

	Parameter	Symbol	Rating	Unit
Input	Forward current	IF	50	mA
	Peak forward current	IFM	1	A
	Reverse voltage	VR	6	V
	Power dissipation	PD	70	mW
Output	Off-State Output Terminal voltage	VDRM	400	Vpeak
	Peak Repetitive Surget Current	ITSM	1	A
	Power Dissipation	PD	300	mW
	Total power dissipation	Ptot	330	mW
	Isolation voltage 1 minute	Viso	5000	Vrms
	Operating temperature	Topr	-40 to +80	° C
	Storage temperature	Tstg	-40 to +125	° C
	Soldering temperature 10 seconds	Tsol	260	° C

- Electro-optical Characteristics

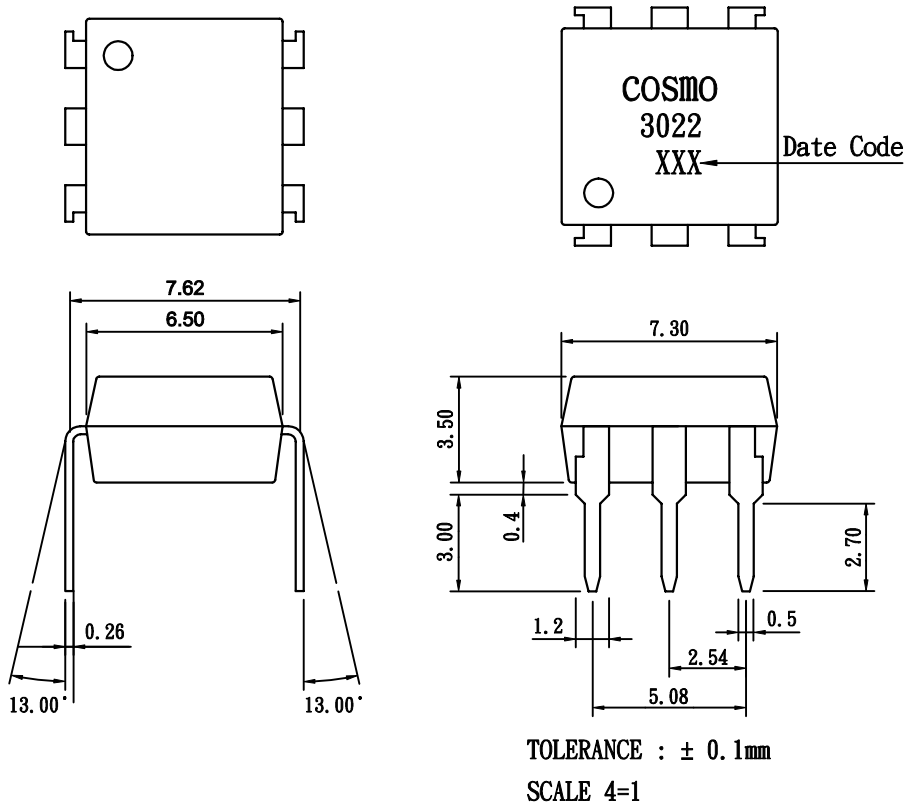
(Ta=25° C)

	Parameter	Symbol	Conditions	MIN.	TYP.	MAX.	Unit
Input	Forward voltage	VF	IF=10mA	-	1.2	1.5	V
	Peak forward voltage	VFM	IFM=0.5A	-	-	3.5	V
	Reverse Leakage Current	IR	VR=4V	-	-	10	uA
Output	Peak Blocking Current	IDRM	VDRM =Rated	-	-	10 ⁻⁷	A
	ON-State Voltage	VTM	ITM=100mA	-	1.6	3	V
Transfer characteristics	Holding Current	IH		-	100	-	uA
	Critical rate of rise of OFF-state voltage	dV/dt	VDRM=(1/√2)*Rated	10	-	-	V/uS
	Isolation resistance	Riso	DC500V	5x10 ¹⁰	10 ¹¹	-	ohm
	Minimum trigger current	IFT	Main Terminal Voltage=3V	-	-	10	mA
	Turn-on time	Ton	Vp=6v, Rf=100 ohm, IF=20mA	-	-	100	uS

PRODUCT SPECIFICATION

COSMO ELECTRONICS CO., LTD.	Photocoupler : KMOC3022	SHEET 2 OF 2
---------------------------------------	-----------------------------------	---------------------

1. OUTSIDE DIMENSION : UNIT (mm)



2. SCHEMATIC : TOP VIEW

