

**Ordering number CA12589\_EMILY-WWW**

Family	Emily	FWHM	61 degrees
Type	Assembly	Efficiency	85 %
LED	Oslon Square EC	cd/lm	0.900
Color	Clear	Gerber File	Available
Diameter	26 mm		
Height	13.3 mm		
Style	Round		
Optic Material	PMMA		
Holder Material	-		
Fastening	Pin, tape		
Status	Ready		

**NOTE: The typical divergence will be changed by different color, chip size and chip position tolerance. The typical total divergence is the full angle measured where the luminous intensity is half of the peak value.**



## PRODUCT DATASHEET

### Emily series

last update 22/10/2012



#### GENERAL INFORMATION

- Product series especially designed & optimized for Oslon Square EC series of LEDs.
- Special care taken to make light distribution as uniform as possible.
- Lens material optical grade PMMA with high UV and temperature resistance. Allows use of high current and temperature conditions.

Please find more information about used material from below:

[http://ledil.fi/sites/default/files/Documents/Technical/Material/PMMA%20N%20UL94\\_Yellow%20Card.pdf](http://ledil.fi/sites/default/files/Documents/Technical/Material/PMMA%20N%20UL94_Yellow%20Card.pdf)

<http://ledil.fi/sites/default/files/Documents/Technical/Material/PMMA%20N%20PLEXIGLAS-Datasheet.pdf>

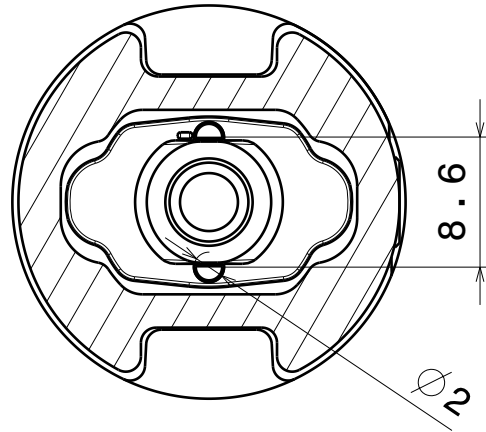
D

C

B

A

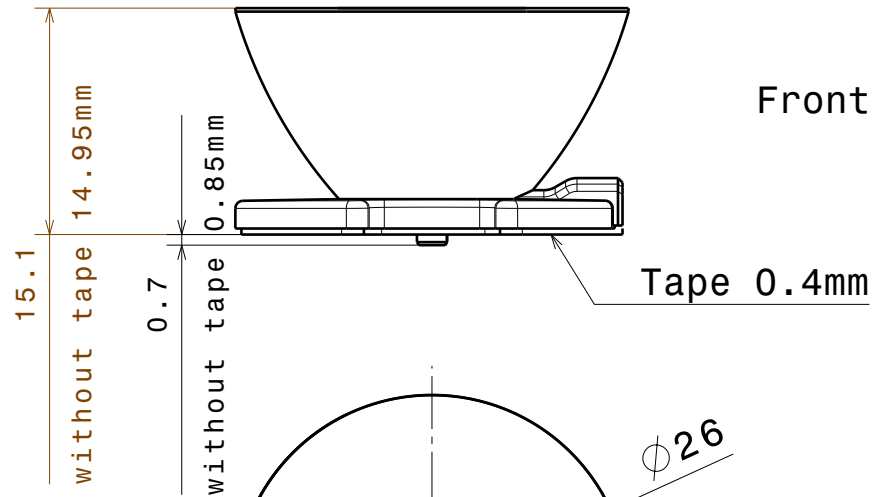
4



Bottom view

4

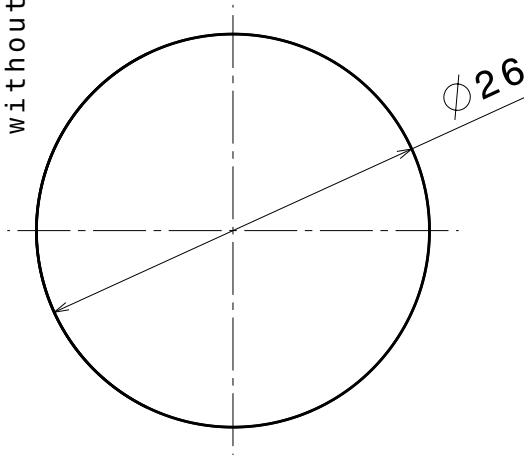
3



Front view

3

2



Top view

2

Material: PMMA

Part no.s:

- CA11387\_Emily-SS
- CA11388\_Emily-M
- CA11389\_Emily-O
- CA11390\_Emily-O
- CA11934\_EMILY-W
- CA11391\_EMILY-M2

This drawing is our property.  
It can't be reproduced  
or communicated without  
our written agreement.



L  
S  
F  
F

e  
i  
a  
i  
N  
n

d  
l

DRAWING TITLE

Datasheet Emily-Series Lens

1

1

DRAWN BY

DATE

a

17.2.2012

CHECKED BY

DATE

s

n

17.2.2012

DESIGNED BY

DATE

hh

18.02.2010

SIZE

A4

DRAWING NUMBER

REV

3

SCALE

2:1

WEIGHT (g)

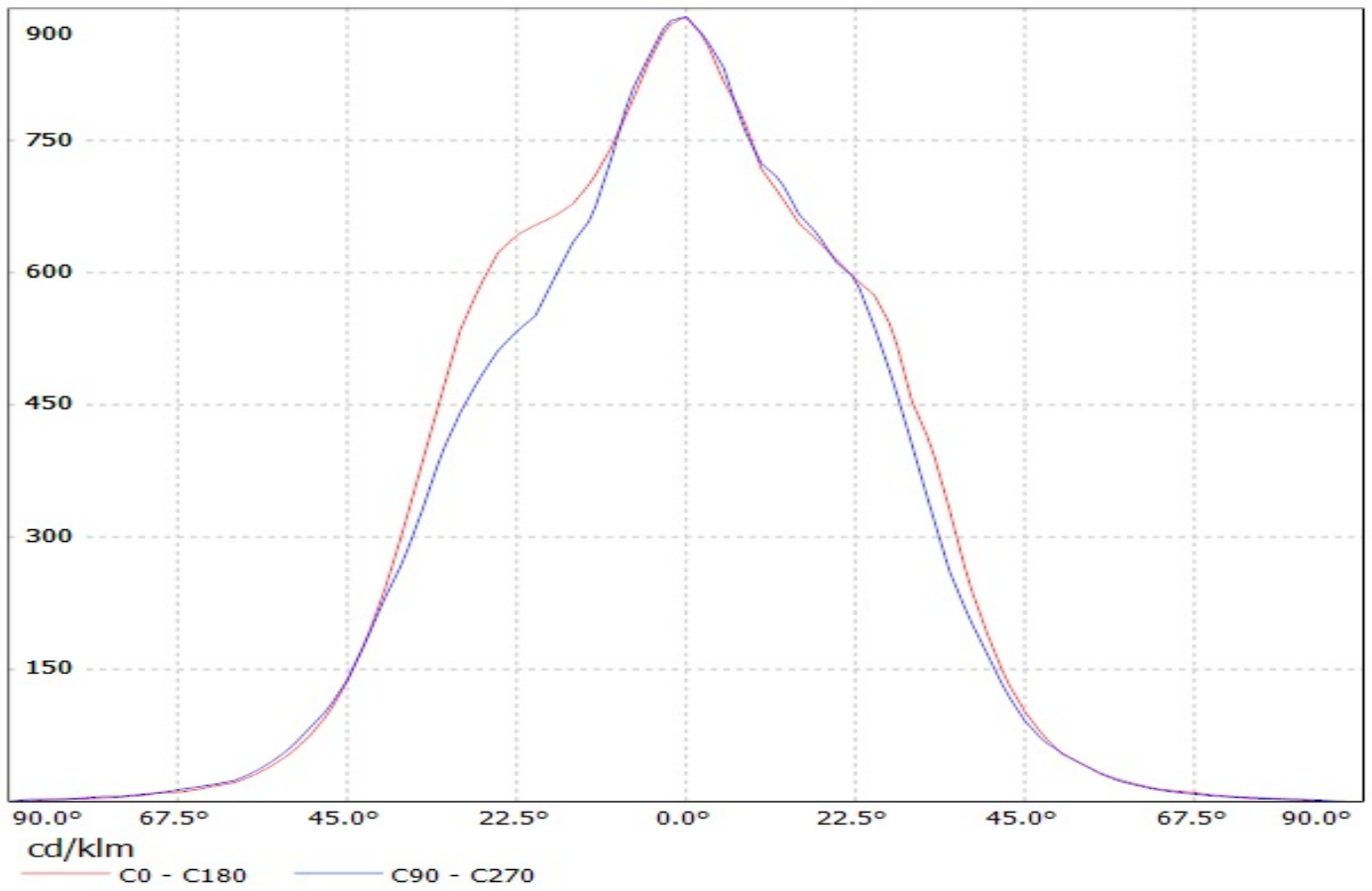
SHEET

1/1

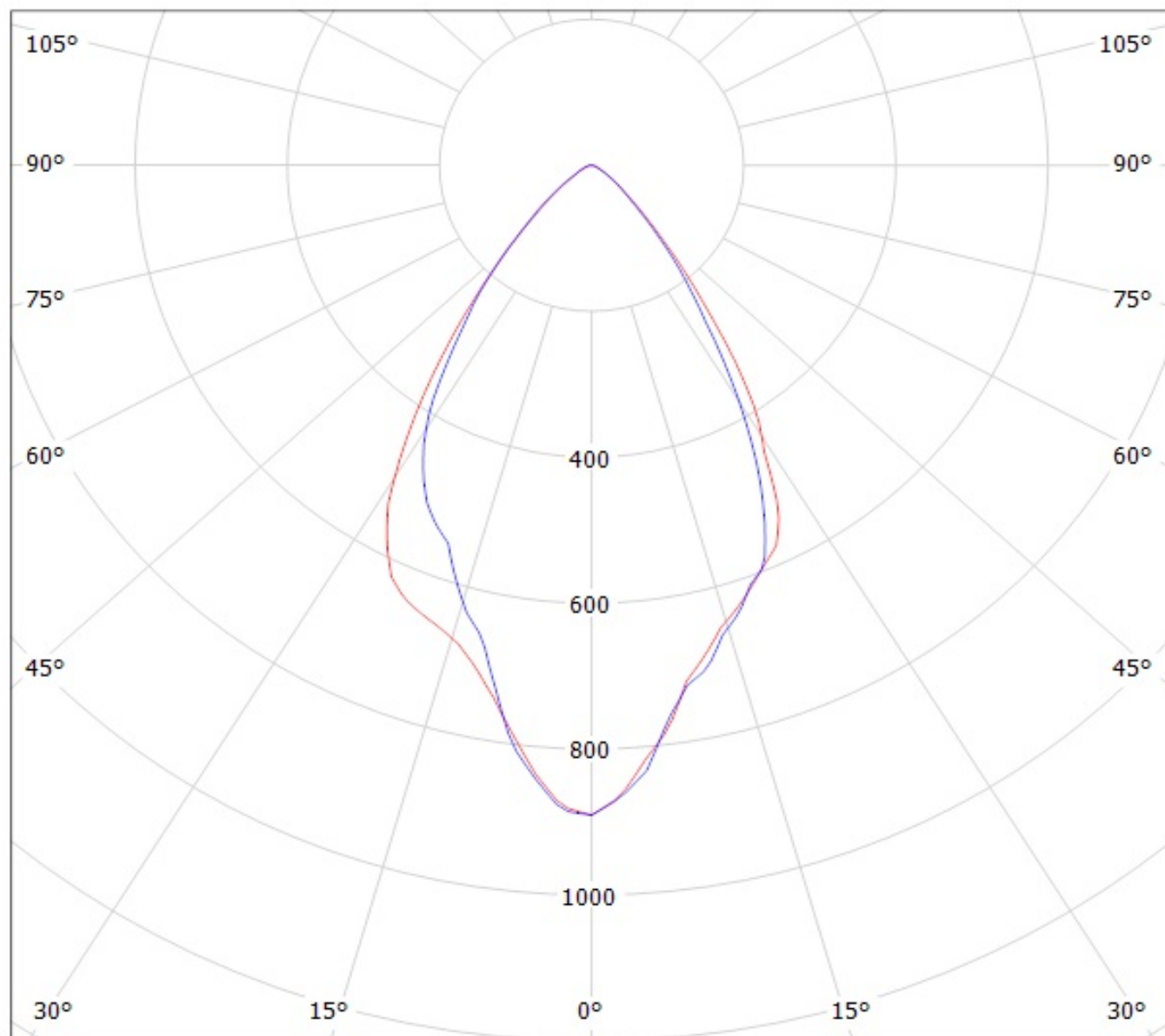
D

A

Luminaire: Ledil Oy CA12589\_EMILY-WWW (Osram Square EC 66lm @ 250mA) Efficiency=85%  
Lamps: 1 x Osram Square EC 66lm @ 250mA



Luminaire: Ledil Oy CA12589\_EMILY-WWW (Osram Square EC 66lm @ 250mA) Efficiency=85%  
Lamps: 1 x Osram Square EC 66lm @ 250mA



cd/klm

— C0 - C180

— C90 - C270