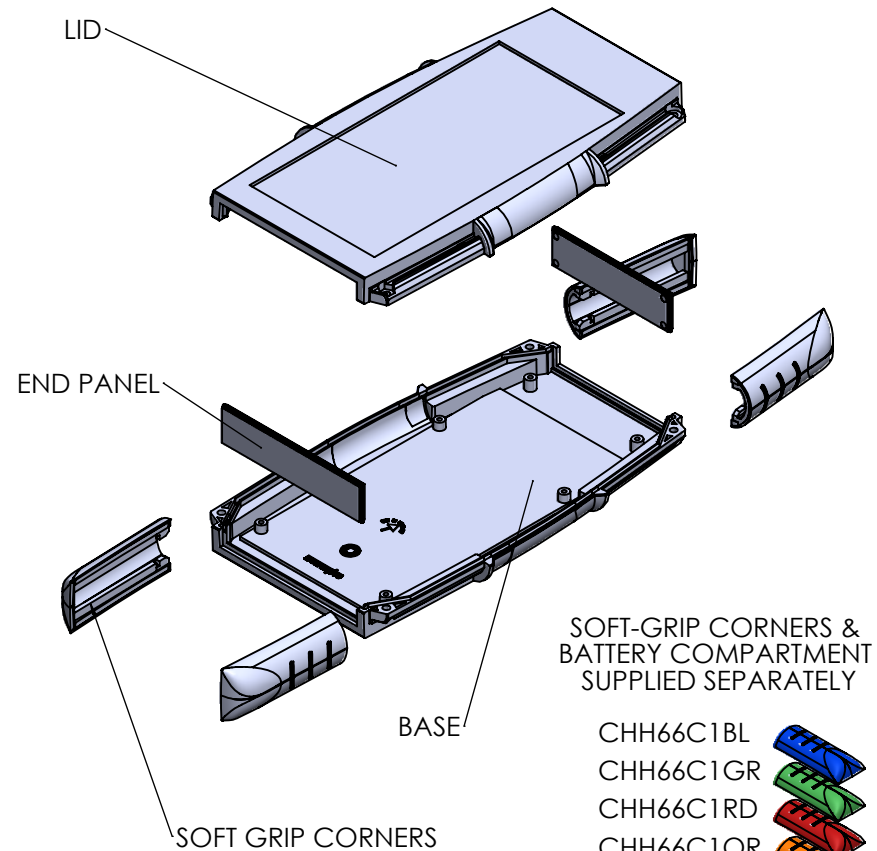


SECTION A-A
SCALE 1 : 3



SOFT-GRIP CORNERS &
BATTERY COMPARTMENT
SUPPLIED SEPARATELY

- CHH66C1BL
- CHH66C1GR
- CHH66C1RD
- CHH66C1OR
- CHH66C1BK
- CHH66C1YL
- CHH66C1GY

CAMDENBOSS
ELECTRONICS & ENCLOSURES

JAMES CARTER RD, MILDENHALL, SUFFOLK. IP28 7DE
TEL: 01638 716101 FAX: 01638 716554
EMAIL: Sales@CamdenBoss.com
WEB: www.CamdenBoss.com

UNLESS OTHERWISE SPECIFIED:
DIMENSIONS ARE IN MILLIMETERS

GENERAL TOLERANCES +/- 0.2

FINISH:
LIGHT SPARK

MATERIAL: UL94-V0 ABS
BLACK

PROJECTION.

DO NOT SCALE DRAWING

REVISION. 0

TITLE: GNL ASSEMBLY DRG FOR
66 SERIES

DWG NO. CHH663NBK

A4

SCALE.

SHEET 1 OF 1

	NAME	SIGNED	DATE
DRAWN	IAN PAGANO	I.P.	11/01/13
CHKD	-	-	-