

# Terminal blocks Insulation Displacement



Fuse blocks for 5 x 20  
and 5 x 25 fuses

ADO - ADO

DIN 3



End stop		th. 9 mm	BADL	V0	1SNA 399 903 R0200
Rail		35 x 7,5 x 1	PR3.Z2		1SNA 174 300 R1700
Rail		35 x 15 x 2,3	PR4		1SNA 168 500 R1200
Rail		35 x 15 x 1,5	PR5		1SNA 168 700 R2200

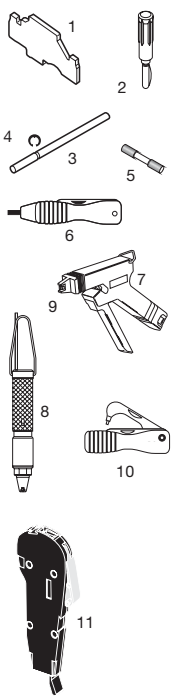
Other end stops, rails and accessories : see section on accessories.

## Notes

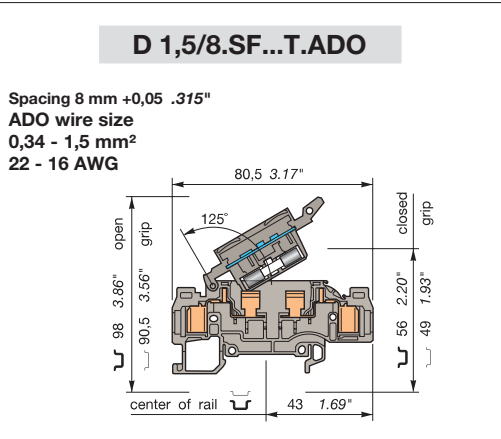
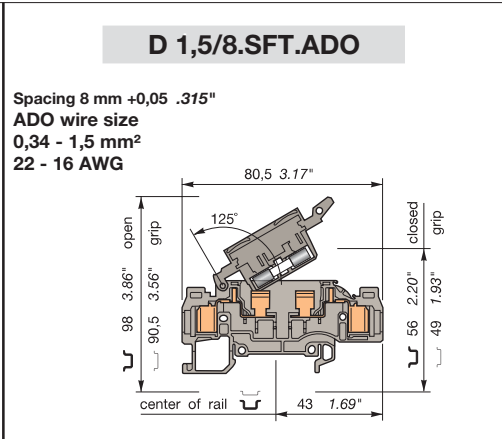
Standard blocks 8 mm spacing. For two wires connections, the wires need to be of the **same gage and nature** (solid or stranded). Terminal block body material is UL 94 V0.

On all the blocks a DIA. 2 or 2.3 mm test across the grip can be performed.

## Accessories



1	End section	gris
2	Test plug	
3	Assembly rod	
4	Assembly ring	
5	5x20 fuses - 250 V	
	5x25 fuses - 250 V	
6	Hand tool kit	
7	Semi automatic tool	
8	Pneumatic tool kit	
9	Replacement head kit	
10	Extraction head kit	
11	Test connector	



Colour	Type	Part numbers
Grey	D 1,5/8.SFT.ADO	1SNA 199 208 R1100
Orange	D 1,5/8.SFT.ADO	1SNA 199 209 R1200

Colour	Type	Part numbers
Grey (1)	D 1,5/8.SFLT.ADO	1SNA 199 211 R2300
Grey (2)	D 1,5/8.SFDT.ADO	1SNA 199 212 R2400
Grey (3)	D 1,5/8.SFD1T.ADO	1SNA 199 213 R2500

### Characteristics

Wire size	IEC		
	NFC	DIN	UL
Screw			
ADO	Rigid	0,34-1,5 mm <sup>2</sup>	22-16 AWG
	Flexible	0,34-1,5 mm <sup>2</sup>	22-16 AWG

Voltage	UL		
	CSA	UL	CSA
Rated	630 V (4)	600 V (4)	600 V (4)
Impulse withstand	8 kV		
Pollution degree	3		

Current	UL		
	CSA	UL	CSA
Rated	6,3 A	8 A	10 A

Wire size	IEC		
	NFC	DIN	UL
Screw			
ADO	Rigid	0,34-1,5 mm <sup>2</sup>	22-16 AWG
	Flexible	0,34-1,5 mm <sup>2</sup>	22-16 AWG

Voltage	UL		
	CSA	UL	CSA
Rated	500 V (4)	600 V (4)	600 V (4)
Impulse withstand	6 kV		
Pollution degree	3		

Current	UL		
	CSA	UL	CSA
Rated	6,3 A	8 A	10 A

Wire size	IEC		
	NFC	DIN	UL
Screw			
ADO	Rigid	0,34-1,5 mm <sup>2</sup>	22-16 AWG
	Flexible	0,34-1,5 mm <sup>2</sup>	22-16 AWG

Voltage	UL		
	CSA	UL	CSA
Rated	500 V (4)	600 V (4)	600 V (4)
Impulse withstand	6 kV		
Pollution degree	3		

Current	UL		
	CSA	UL	CSA
Rated	6,3 A	8 A	10 A

Wire size	IEC		
	NFC	DIN	UL
Screw			
ADO	Rigid	0,34-1,5 mm <sup>2</sup>	22-16 AWG
	Flexible	0,34-1,5 mm <sup>2</sup>	22-16 AWG

Voltage	UL		
	CSA	UL	CSA
Rated	500 V (4)	600 V (4)	600 V (4)
Impulse withstand	6 kV		
Pollution degree	3		

Current	UL		
	CSA	UL	CSA
Rated	6,3 A	8 A	10 A

Wire size	IEC		
	NFC	DIN	UL
Screw			
ADO	Rigid	0,34-1,5 mm <sup>2</sup>	22-16 AWG
	Flexible	0,34-1,5 mm <sup>2</sup>	22-16 AWG

Voltage	UL		
	CSA	UL	CSA
Rated	500 V (4)	600 V (4)	600 V (4)
Impulse withstand	6 kV		
Pollution degree	3		

Current	UL		
	CSA	UL	CSA
Rated	6,3 A	8 A	10 A

Wire size	IEC		
	NFC	DIN	UL
Screw			
ADO	Rigid	0,34-1,5 mm <sup>2</sup>	22-16 AWG
	Flexible	0,34-1,5 mm <sup>2</sup>	22-16 AWG

Voltage	UL		
	CSA	UL	CSA
Rated	500 V (4)	600 V (4)	600 V (4)
Impulse withstand	6 kV		
Pollution degree	3		

Current	UL		
	CSA	UL	CSA
Rated	6,3 A	8 A	10 A

Wire size	IEC		
	NFC	DIN	UL
Screw			
ADO	Rigid	0,34-1,5 mm <sup>2</sup>	22-16 AWG
	Flexible	0,34-1,5 mm <sup>2</sup>	22-16 AWG

Voltage	UL		
	CSA	UL	CSA
Rated	500 V (4)	600 V (4)	600 V (4)
Impulse withstand	6 kV		
Pollution degree	3		

Current	UL		
	CSA	UL	CSA
Rated	6,3 A	8 A	10 A

Wire size	IEC		
	NFC	DIN	UL
Screw			
ADO	Rigid	0,34-1,5 mm <sup>2</sup>	22-16 AWG
	Flexible	0,34-1,5 mm <sup>2</sup>	22-16 AWG

Voltage	UL		
	CSA	UL	CSA
Rated	500 V (4)	600 V (4)	600 V (4)
Impulse withstand	6 kV		
Pollution degree	3		

Current	UL		
	CSA	UL	CSA
Rated	6,3 A	8 A	10 A

Wire size	IEC		
	NFC	DIN	UL
Screw			
ADO	Rigid	0,34-1,5 mm <sup>2</sup>	22-16 AWG
	Flexible	0,34-1,5 mm <sup>2</sup>	22-16 AWG

Voltage	UL		
	CSA	UL	CSA
Rated	500 V (4)	600 V (4)	600 V (4)
Impulse withstand	6 kV		
Pollution degree	3		

Current	UL		
	CSA	UL	CSA
Rated	6,3 A	8 A	10 A

Type	P/N	
FEDAD7	th. 1,5 mm	1SNA 199 382 R2700
FC2 MC	DIA. 2 mm	1SNA 107 239 R0300
TGA8	2 poles	1SNA 168 672 R1100
TGA8	3 poles	1SNA 168 673 R1200
TGA8	4 poles	1SNA 168 674 R1300
ANT		1SNA 168 675 R1400
FU520	0,5 A	1SNA 168 288 R1500
FU520	1 A	1SNA 008 290 R1300
FU520	2 A	1SNA 008 291 R0000
FU520	3,15 A	1SNA 008 289 R1600
FU520	5 A	1SNA 008 292 R0100
FU525	1,6 A	1SNA 167 546 R2200
FU525	2 A	1SNA 167 547 R2300
FU525	2,5 A	1SNA 167 548 R0400
FU525	4 A	1SNA 167 549 R0500
FU525	6,3 A	1SNA 167 550 R0200
OUMAD		1SNA 179 466 R0600
OUPAD		1SNA 178 944 R0400
OUTAD		1SNA 205 710 R1100
OUTA		1SNA 205 284 R0300
EXAD2		1SNA 205 721 R0000
CEADO.8		1SNA 399 348 R2400
CEADOE		1SNA 399 341 R1500

Type	P/N	
FEDAD7	th. 1,5 mm	1SNA 199 382 R2700
FC2 MC	DIA. 2 mm	1SNA 107 239 R0300
TGA8	2 poles	1SNA 168 672 R1100
TGA8	3 poles	1SNA 168 673 R1200
TGA8	4 poles	1SNA 168 674 R1300
ANT		1SNA 168 675 R1400
FU520	0,5 A	1SNA 008 288 R1500
FU520	1 A	1SNA 008 290 R1300
FU520	2 A	1SNA 008 291 R0000
FU520	3,15 A	1SNA 008 289 R1600
FU520	5 A	1SNA 008 292 R0100
FU525	1,6 A	1SNA 167 546 R2200
FU525	2 A	1SNA 167 547 R2300
FU525	2,5 A	1SNA 167 548 R0400
FU525	4 A	1SNA 167 549 R0500
FU525	6,3 A	1SNA 167 550 R0200
OUMAD		1SNA 179 466 R0600
OUPAD		1SNA 178 944 R0400
OUTAD		1SNA 205 710 R1100
OUTA		1SNA 205 284 R0300
EXAD2		1SNA 205 721 R0000
CEADO.8		1SNA 399 348 R2400
CEADOE		1SNA 399 341 R1500

(1) Blown-fuse indicator by 110 V - 230 V neon lamp (leakage current with neon lamp < 0,5 mA (110 V) - < 0,7 mA (230 V)).  
 (2) Blown-fuse indicator by LED 24 V ( +24V labeled) (leakage current with LED 24 V or 48 V < 4,5 mA).  
 (3) Blown-fuse indicator by LED 48 V ( +48V labeled) (leakage current with LED 24 V or 48 V < 4,5 mA).  
 (4) Terminal block insulating voltage.  
 Working voltage according to fuse.

RC810	RCAL85
-------	--------

RC810	RCAL85
-------	--------

R See section on markers  
Marking method