

Datasheet

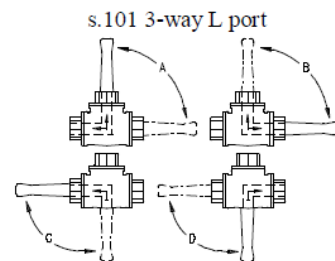
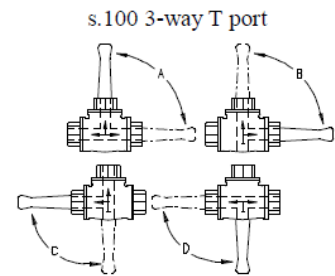
Nickel Plated Brass Manual Ball Valve, 1-1/2 in BSP Threaded, 16bar

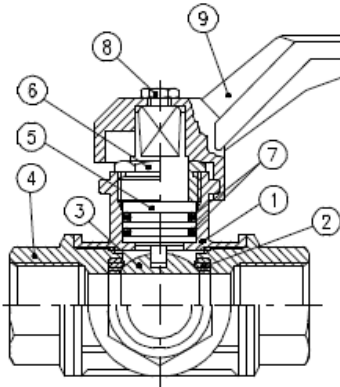
RS Stock number **486-186**



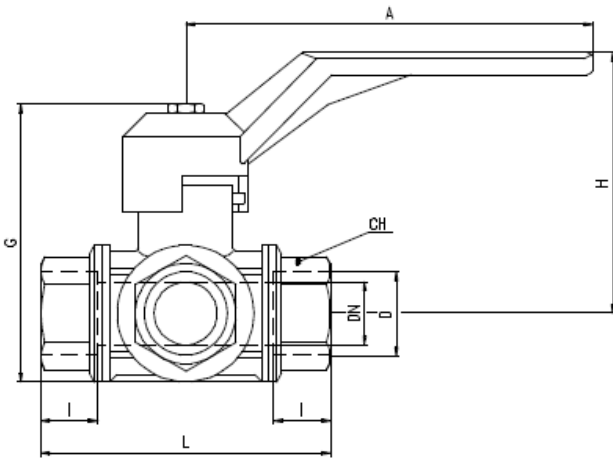
Features and Specifications:

- * 3-way T (s.100) or L (s.101) design allows complete range of flow handling applications,
- * Hot forged sand blasted nickel plated brass body and caps,
- * Copper alloy brass according to EN 12165 and EN 12164 specifications,
- * Extra port for lowest pressure drop,
- * Teflon® (Dupont registered trademark) seats,
- * UNI 8858 cycle and torque tests performed,
- * Four seats design limits mixture among various fluids in the system,
- * Chrome plated brass ball for longer life,
- * No metal-to-metal moving parts,
- * Two Viton O-rings at the stem for maximum safety,
- * ISO 228 Female threads,
- * 25 bar (Kg/cm²) non-shock cold working pressure,
- * -10°C +120°C temperature (Warning: freezing of the fluid in the installation may severely damage the valve).



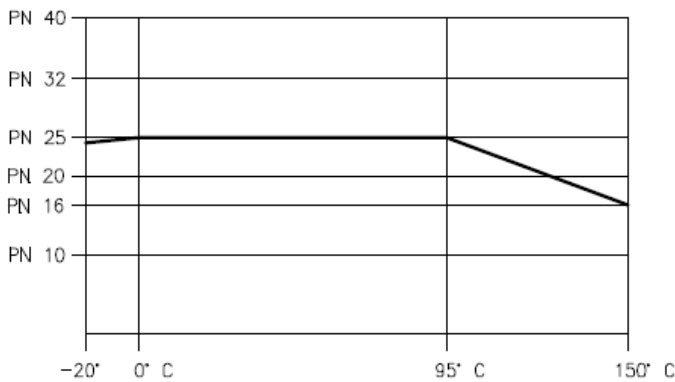


PART DESCRIPTION		Material	Q.ty
1	Nickel plated body	CW617N	1
2	Seat	Ptfe	4
3	Chrome plated ball	CW617N	1
4	Nickel plated end cap	CW617N	3
5	Nickel plated stem O-Ring design	CW614N	1
6	Nickel plated nut	CW614N	1
7	O-Ring	Viton	2
8	Screw	Steel	1
9	Red handle	Aluminium	1



Code	100B00	100C00	100D00	100E00	100F00	100G00	100H00	100I00
	101B00	101C00	101D00	101E00	101F00	101G00	101H00	101I00
D (inch)	1/4	3/8	1/2	3/4	1	1 1/4	1 1/2	2
DN (mm)	10	12	14	18	23	29	36	45
I (mm)	19	19	19	23	25	27	31	36
L (mm)	77	77	77	92	104	118	138	162
G (mm)	75	75	75	91	105	115	128	165
A (mm)	125	125	125	145	170	170	170	260
H (mm)	65	65	65	83	96	102	109	139
CH (mm)	22	22	22	27	34	50	57	70

Pressure -Temperature chart



Pressure drop chart

