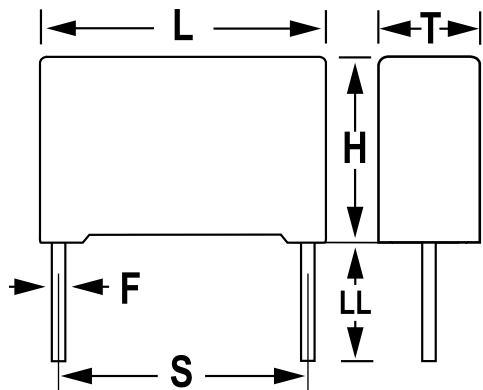


KEMET Part Number: PHE426KA5220JR05
(F426AG223J400C, PHE426KA5220JA01R05)

PHE426/F426, Film, Metallized Polypropylene, General Purpose, 0.022 uF, 5%, 400 VDC, 85°C, Lead Spacing = 10mm



General Information	
Supplier:	KEMET
Series:	PHE426/F426
Dielectric:	Metallized Polypropylene
Style:	Radial
Features:	Pulse
RoHS:	Yes
Lead:	Wire Leads
Notes:	Not For New Design, Please Check Possible Alternative Parts (AltPart)

Dimensions	
L	13mm MAX
H	9mm MAX
T	4mm MAX
S	10mm +/-0.4mm
LL	5mm NOM
F	0.6mm NOM

Specifications	
Capacitance:	0.022 uF
Capacitance Tolerance:	5%
Voltage AC:	220 VAC
Voltage DC:	400 VDC, 296 VDC (105C)
Temperature Range:	-55/+105C
Rated Temperature:	85°C
Dissipation Factor:	0.05% 1kHz, 0.25% 100kHz
Insulation Resistance:	100 GOhms
Max dV/dt:	300 V/us
Inductance:	6 nH

Packaging Specifications	
Packaging:	Bulk, Bag
Packaging Quantity:	1000